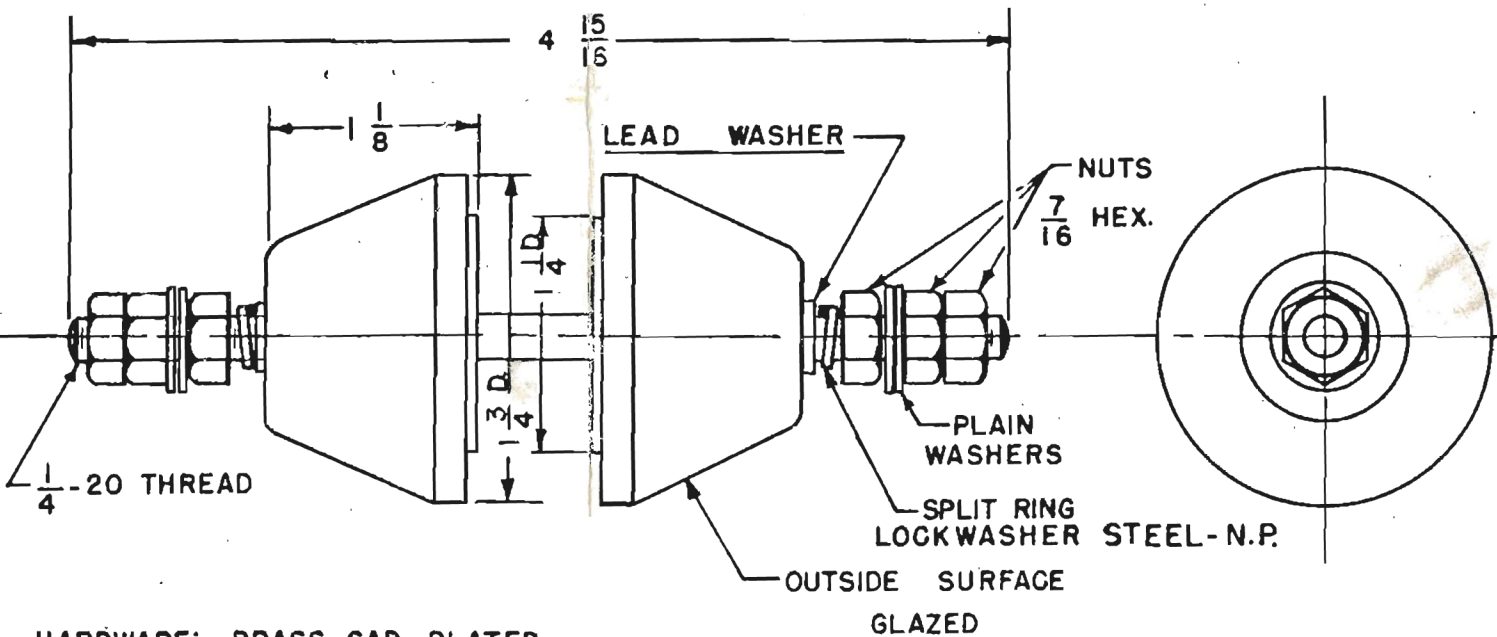


THIRD ANGLE PROJECTION



HARDWARE: BRASS-CAD. PLATED
PLAIN WASHERS BRASS-N.P.

STEATITE BUSHING

ALL DIMENSIONS UNLESS OTHERWISE NOTED MUST BE HELD TO A TOLERANCE OF

STEATITE BUSHING

FIRST MADE FOR

DESIGNED BY

DRAWN BY *H.C. Caffery*

CHECKED BY *P.J. E.*

APPROVED

JAMES MILLEN MFG. CO., INC.
 MALDEN, MASS., U.S.A.

DATE
 8-17-49

5-25-52
 8-18-49
 2
 1
 Added material of
 Lockwasher
 Redrawn + New Hd work