

SERVICE INSTRUCTIONS

MOTORCRAFT CARBURETOR MODEL 2150 TWO BORE

DISASSEMBLY

The numerical sequence of the exploded view may be followed in most instances to disassemble the carburetors far enough to permit cleaning, inspection, and installation of kit contents. Variation in design, omission and addition of parts may occur between models in this group. NOTE: Before removing pump rod retainer (45), mark hole in lever for proper pump rod (46) reinstallation. If the idle limiter caps (60) must be removed, to qualify the idle, position the limiter caps to the stop. Remove caps from idle air mixture screws carefully to avoid damaging screws. Before removal of idle adjustment screws be sure and count number of turns to seat the screws as the same number of turns from the seat should be maintained during the reassembly of carburetor.

CLEANING

Clean parts thoroughly in an approved cleaning solvent. Special attention should be given to carbon deposits in throttle bores and passages. Rinse parts in a suitable solvent. Blow out all passages with compressed air. CAUTION: Do Not soak leather, rubber, diaphragm assemblies or similar material in the cleaning solvent.

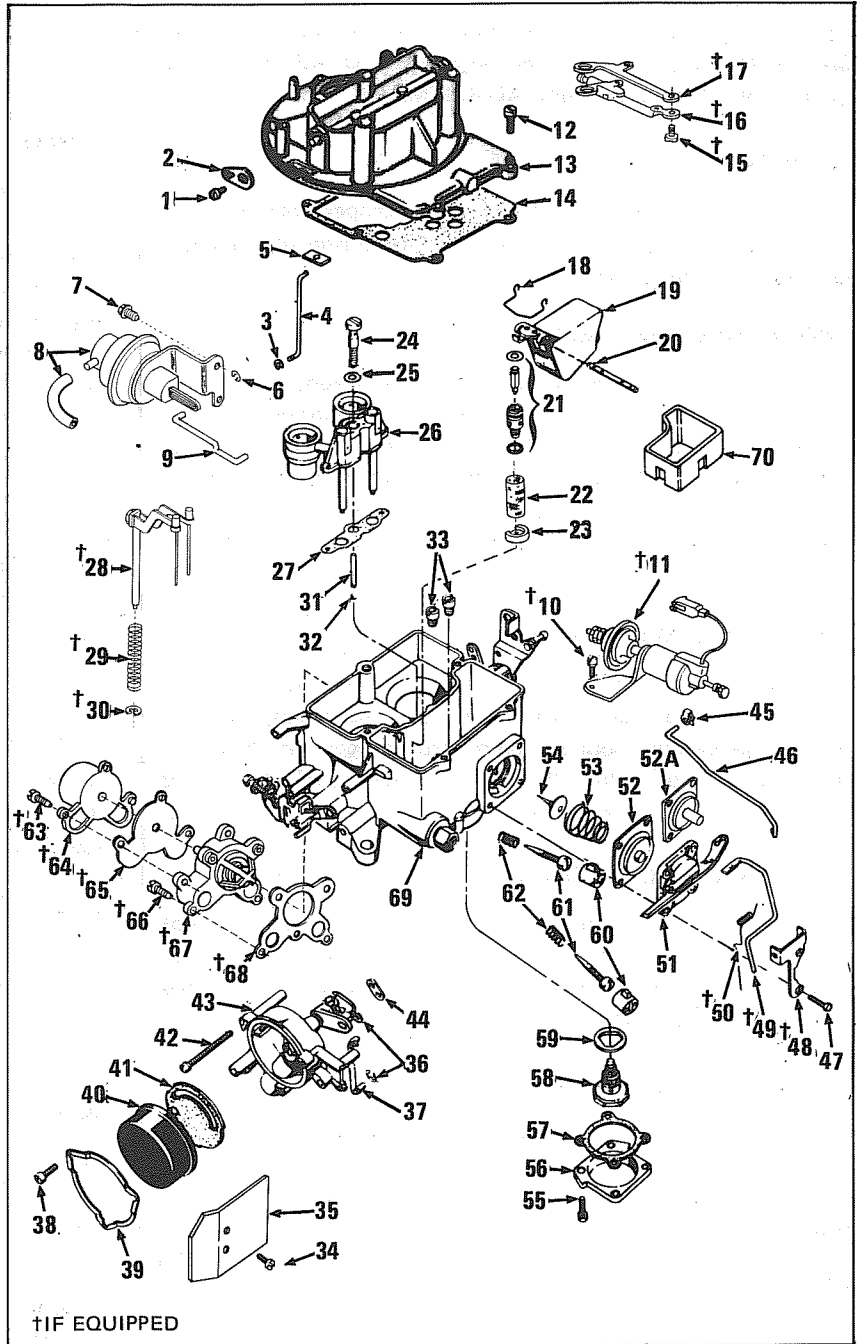
REASSEMBLY

Reverse the numerical sequence of exploded view to reassemble carburetor. Note the following special instructions.

1. If the idle limiter caps and mixture screws were removed during disassembly, the mixture screws should be seated lightly then backed out the same number of turns established during disassembly for initial idle mixture adjustment. For final adjustment, see decal in engine compartment.
2. Turn throttle speed screw in until it just touches throttle lever, then turn in one full turn. The final idle speed and mixture adjustment is made on engine. Install the new limiter caps after the final adjustment as outlined under the adjustment section.
3. Lubricate the tip of the Elastomer valve (54) with light oil and insert the tip into center hole of pump chamber. From inside the fuel bowl pull tip of valve until the retaining shoulder seats in hole.
4. Install the large end of spring (53) over the Elastomer valve.
5. The power valve cover (56) must be installed with the idle limiter stops toward the main body.
6. Be sure float pin retainer (18) is installed in notch of needle seat before making float adjustment.
7. When replacing needle and seat (21) Do not use gasket supplied in kit if baffle (23) is used.
8. Some models may be equipped with an altitude compensation device (64). This unit is not adjustable.

NOMENCLATURE

- | | | |
|---------------------------------|--|---|
| 1. Choke lever screw | 19. Float | 62. Idle mixture screw spring (2) |
| 2. Choke lever | 20. Float pin | †63. Aneroid assembly screw and gasket |
| 3. Choke rod retainer | 21. Needle, seat & gasket | †64. Aneroid assembly |
| 4. Choke rod | 22. Needle seat strainer | †65. Aneroid assembly gasket |
| 5. Choke rod seal | 23. Needle seat baffle | †66. Poppet valve assembly screw and gasket |
| 6. Choke pull-off link retainer | 24. Pump discharge screw | †67. Poppet valve assembly |
| 7. Choke pull-off screw (2) | 25. Pump discharge screw gasket | †68. Poppet valve assembly gasket |
| 8. Choke pull-off & hose | 26. Venturi | 69. Main body |
| 9. Choke pull-off link | 27. Venturi gasket | 70. Fuel Bowl Spacer (Later Models) |
| †10. TSP & Dashpot screw | †28. Air metering rod spring retainer | |
| †11. TSP & Dashpot | †29. Air metering rod spring | |
| 12. Air horn screw (6) | †30. Air metering rod | |
| 13. Air horn | 31. Discharge ball weight | |
| 14. Air horn gasket | 32. Discharge ball | |
| †15. Decelerator screw (3) | 33. Main metering jet (2) | |
| †16. Decelerator valve | 34. Air shield screw | |
| †17. Decelerator gasket | 35. Air shield | |
| 18. Float pin retainer | | |
| | 36. Fast idle cam rod retainer (lower) | †48. Vent rod retainer |
| | 37. Fast idle cam rod | †49. Vent rod |
| | 38. Choke cover retainer screw (3) | †50. Vent rod spring |
| | 39. Choke cover retainer | 51. Pump cover |
| | 40. Choke cover | 52. Pump diaphragm |
| | 41. Choke cover gasket | 52A. Pump diaphragm |
| | 42. Choke housing screw | 53. Pump return spring |
| | 43. Choke housing | 54. Elastomer valve |
| | 44. Choke housing gasket | 55. Power valve cover screw (4) |
| | 45. Pump rod retainer | 56. Power valve cover |
| | 46. Pump rod | 57. Power valve cover gasket |
| | 47. Pump cover retainer screw (4) | 58. Power valve |
| | 48. Vent rod retainer | 59. Power valve gasket |
| | | 60. Idle limiter cap (2) |
| | | 61. Idle mixture screw (2) |



†IF EQUIPPED

ADJUSTMENTS

FLOAT LEVEL (FIG. 1)

With gasket removed, press down on float tab until needle is lightly seated. The dimension from top of fuel bowl to top of float (at free end) should be as specified in data chart. To adjust, hold float at bottom of bowl and bend tab. **CAUTION: NEVER ALLOW NEEDLE TO BE PRESSED INTO SEAT WHEN MAKING ADJUSTMENT.**

PUMP (FIG. 2)

Position pump operating rod (A) in the proper hole of pump and overtravel lever as previously marked during disassembly or as listed in data chart.

CHOKE PULL-OFF (FIG. 3)

Temporarily turn choke cover 90° Rich beyond index and open throttle to close choke valve. Seat diaphragm (A) by using an outside vacuum source. Move choke valve towards closed position until spring loaded plunger stem (C) is fully extended. The dimension between lower edge of choke valve and air horn wall should be as listed in data chart. To adjust, turn screw (B) on diaphragm housing.

FAST IDLE CAM LINKAGE (FIG.4)

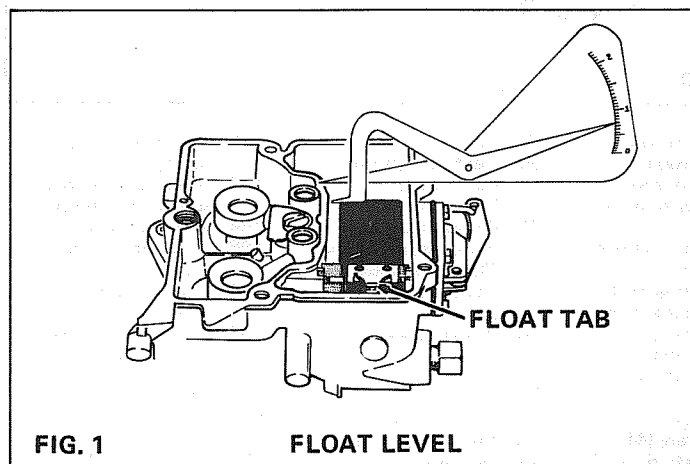
Temporarily turn choke cover 90° Rich beyond index and open throttle to close choke valve. Seat diaphragm by using an outside vacuum source. Open throttle again to allow fast idle cam to drop. Close throttle, fast idle screw (D) should be on V (index) mark of cam (E). Turn screw (F) to adjust.

AUTOMATIC CHOKE (FIG. 5)

With the end of thermostat spring in cover engaged in slot of choke lever, rotate the cover against spring tension until mark (A) on cover is aligned with the mark on housing as listed on decal in engine compartment.

UNLOADER (FIG. 6)

With throttle held fully open, move the choke valve toward the closed position as far as possible without forcing. The dimension (C), between upper edge of choke valve and inner wall of air horn, should be as listed in data chart. To adjust,

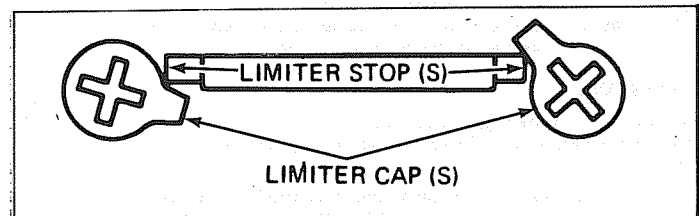


bend tang (B) on throttle lever. **CAUTION:** After bending tang, operate the throttle and check tang to make sure it does not bind, contact or stick on any part of carburetor casting or linkage.

NOTE: On 1979 applications dimension (c) will be measured between lower edge of choke valve and inner wall of air horn. This dimension is called out on engine decal.

LIMITER CAP INSTALLATION

If the original limiter caps have been removed the new service limiter caps must be installed to comply with State and Federal Exhaust Emission Control Regulations. Soak caps in hot water for a few minutes to aid in installation. Place cap on mixture screw heads and press firmly, using care not to turn mixture screws when forcing caps into place. The tab on limiter cap should be in the maximum counterclockwise (Rich) position against the limiter stops. (See Illustration)



SLOW IDLE (FIG. 7)

Refer to manufacturer's service manual procedure for setting slow idle. See tune-up decal in engine compartment for specifications.

FAST IDLE (SEE FIG. 4)

Adjust slow idle, then place fast idle screw (D) on index step of fast idle cam (E) and adjust screw (D) to proper engine rpm. See tune-up decal in engine compartment for specifications.

BOWL VENT (IF EQUIPPED) (FIG. 8)

With idle speed adjusted, depress to seat vent valve. The dimension between flat of vent rod and fully seated valve should be .050 to adjust, bend vent rod (B).

