

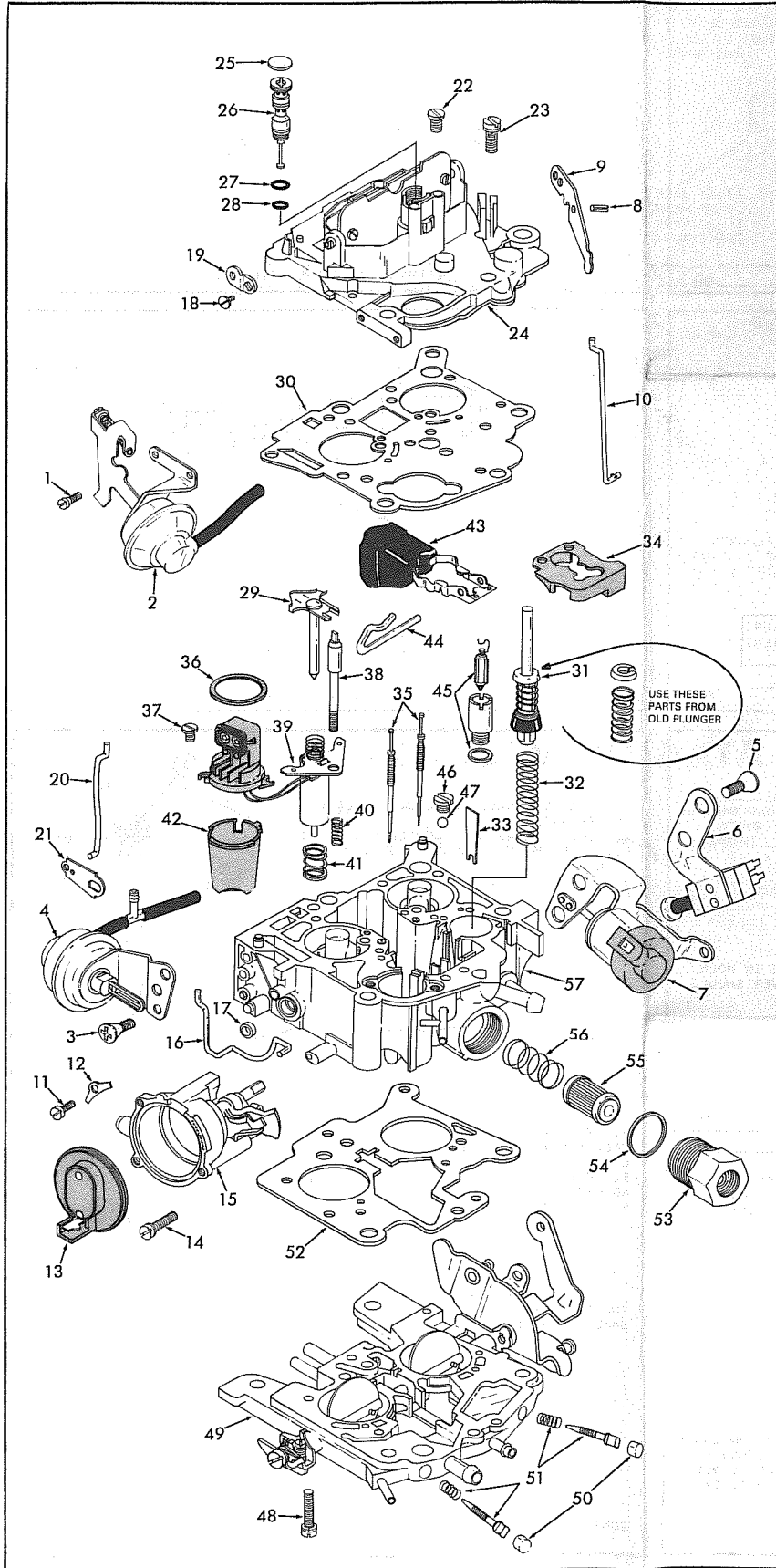
# INSTRUCTION SHEET

## ROCHESTER CARBURETOR - MODEL 210

E2ME

### GENERAL EXPLODED VIEW

THE GENERAL DESIGN AND PARTS SHOWN WILL VARY TO  
INDIVIDUAL UNITS COVERED ON THIS INSTRUCTION SHEET.



### DISASSEMBLY

USE EXPLODED VIEW AS A GUIDE. THE NUMERICAL SEQUENCE MAY GENERALLY BE FOLLOWED TO DISASSEMBLE UNIT FAR ENOUGH TO PERMIT CLEANING AND INSPECTION. NOTE: TO REMOVE PUMP LEVER (9) JUST DRIVE PIN IN FAR ENOUGH TO RELEASE LEVER. LATER MODELS HAVE POP RIVETS HOLDING CHOKE COVER ON. SEE FIG. 1 FOR REMOVAL PROCEDURE. BOWL COVER SCREWS (22) ARE INSIDE THE AIR HORN. DO NOT REMOVE BRASS TUBES FROM BOWL COVER. LATER MODELS WILL HAVE PLUG (25) HELD IN BY RIVETS. DRILL OUT RIVET HEADS, DISCARD BAFFLE (NOT REPLACED). BEFORE REMOVING IDLE AIR BLEED VALVE (26) TURN IN COUNTING THE NUMBER OF TURNS IT TAKES TO SEAT VALVE. RECORD FOR PROPER REASSEMBLY. MAIN JETS CAN BE REMOVED WITH PROPER WRENCH. IDLE NEEDLE PLUG (60) REMOVAL, SEE FIG. 2. BEFORE REMOVING IDLE ADJUSTING NEEDLES (51), TURN IN COUNTING THE NUMBER OF TURNS IT TAKES TO SEAT NEEDLE. RECORD FOR REASSEMBLY.

### NOMENCLATURE

REF. NO.	REF. NO.
1. SCREW (2)-FRONT VACUUM BREAK	29. SOLENOID — PLUNGER
2. FRONT VACUUM BREAK ASSY.	30. GASKET — BOWL COVER
3. SCREW (2)-REAR VACUUM BREAK	31. PUMP PLUNGER ASSY.
4. REAR VACUUM BREAK ASSY.	32. SPRING - PUMP
5. SCREW (2)-SOLENOID & SWITCH BRACKET	33. BAFFLE - PUMP WELL
6. SWITCH - W.O.T. ENRICHMENT	34. INSERT — FLOAT BOWL
7. SOLENOID - IDLE SPEED	35. MAIN METERING ROD & SPRING ASSY. (2)
8. PIN - PUMP LEVER	36. GASKET-ECM-CONNECTOR TO BOWL COVER
9. LEVER - PUMP	37. SCREW (2) - ECM CONNECTOR
10. ROD - PUMP	38. SCREW - LEAN MIXTURE (SOLENOID ADJ.)
11. SCREW (3) - RETAINER	39. SOLENOID & ECM CONNECTOR ASSY.
12. RETAINER (3) - CHOKE COVER	40. SPRING - LEAN MIXTURE SCREW
13. CHOKE COVER ASSY. - ELECTRIC	41. SPRING - SOLENOID
14. SCREW & WASHER - CHOKE HOUSING	42. INSERT - WELL
15. CHOKE HOUSING ASSY.	43. FLOAT & LEVER ASSY.
16. LINK - REAR VACUUM BREAK	44. HINGE PIN - FLOAT
17. SEAL — INTERMEDIATE CHOKE SHAFT	45. NEEDLE & SEAT ASSY.
18. SCREW - CHOKE LEVER	46. PLUG - PUMP DISC. BALL
19. LEVER - CHOKE SHAFT	47. BALL - PUMP DISC
20. ROD - CHOKE	48. SCREW & LOCKWASHER (4)—THROTTLE BODY
21. LEVER - INTERMEDIATE CHOKE	49. THROTTLE BODY ASSY.
22. SCREW (2) - BOWL (TAPERED HEAD)	50. PLUG (2) — IDLE NEEDLE (NOT REPLACED)
23. SCREW & LOCKWASHER (5)-BOWL COVER	51. NEEDLE & SPRING ASSY. (2) - IDLE ADJ.
24. BOWL COVER ASSY.	52. GASKET - THROTTLE BODY
25. PLUG - IDLE AIR BLEED VALVE (NOT REPLACED)	53. FILTER NUT - FUEL INLET
26. VALVE - IDLE AIR BLEED	54. GASKET - FILTER NUT
27. O-RING - AIR BLEED VALVE (UPPER)	55. FILTER - FUEL
28. O-RING - AIR BLEED VALVE (LOWER)	56. SCREW - FILTER
	57. FLOAT BOWL ASSY.

### CLEANING

CLEANING MUST BE DONE WITH CARBURETOR DISASSEMBLED. SOAK PARTS LONG ENOUGH TO SOFTEN AND REMOVE ALL FOREIGN MATERIAL. USE A CARBURETOR CLEANING SOLVENT. MAKE CERTAIN THE THROTTLE BORES ARE FREE OF ALL CARBON DEPOSITS. RINSE OFF IN SUITABLE SOLVENT. BLOW OUT ALL PASSAGES IN CASTINGS WITH COMPRESSED AIR AND CHECK CAREFULLY TO INSURE THOROUGH CLEANING OF OBSCURE AREAS. CAUTION: DO NOT SOAK DIAPHRAGM UNITS, SOLENOIDS, FLOAT, ELECTRIC CHOKE OR PARTS CONTAINING RUBBER OR PLASTIC IN CLEANING SOLVENTS.

### REASSEMBLY

REASSEMBLE IN REVERSE ORDER OF DISASSEMBLY. NOTE SPECIAL INSTRUCTIONS AND FOLLOW NUMERICAL OUTLINE IN MAKING ADJUSTMENTS.

### SPECIAL INSTRUCTIONS

FUEL FILTER (55) - BE SURE TO USE FILTER WITH BUILT IN ROLL OVER CHECK VALVE AND WITH CHECK VALVE FACING OUT. TIGHTEN FILTER NUT TO 18 FT. LBS.

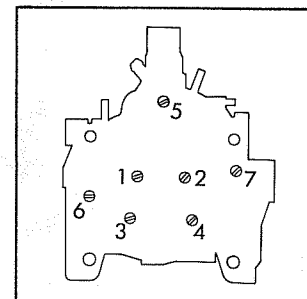
IDLE ADJUSTING NEEDLES (51) - TURN EACH NEEDLE IN UNTIL LIGHTLY SEATED, THEN BACK OUT NUMBER OF TURNS RECORDED ON DISASSEMBLY.

LEAN MIXTURE SCREW (38) (SOLENOID ADJ.) - TURN MIXTURE CONTROL SCREW IN FLOAT BOWL CLOCKWISE UNTIL LIGHTLY BOTTOMED, THEN BACK OUT 2 TURNS.

IDLE AIR BLEED VALVE (26) - TURN VALVE IN UNTIL LIGHTLY BOTTOMED, THEN BACK OUT NUMBER OF TURNS RECORDED ON DISASSEMBLY.

INTERMEDIATE CHOKE SHAFT SEAL (17) - LIP OF SEAL IS FACING OUT.

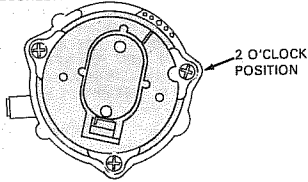
BOWL COVER INSTALLATION - TIGHTEN BOWL COVER SCREWS IN SEQUENCE AS SHOWN.



# ADJUSTMENTS

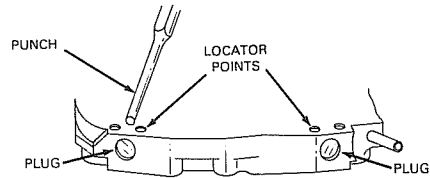
CAREFULLY ALIGN A #21 DRILL (.159") ON POP RIVET HEAD AND DRILL ENOUGH TO REMOVE RIVET HEAD. DRILL ALL 3 RIVET HEADS. USE A DRIFT PUNCH AND HAMMER, DRIVE THE REMAINDER OF RIVETS OUT OF THE CHOKE HOUSING. REMOVE CHOKE COMPONENTS. REPLACEMENT RETAINERS AND SELF TAPPING SCREWS ARE FOUND IN REPAIR KIT. BEFORE ASSEMBLING CHOKE, START SELF TAPPING SCREWS IN CHOKE HOUSING TO BE SURE SCREWS START EASILY AND ARE ALIGNED PROPERLY.

CHOKE COVER INSTALLATION. ALIGN NOTCH IN COVER WITH RETAINER TAB (2 O'CLOCK POSITION). TIGHTEN SCREWS EVENLY AND SECURELY.



REMOVING & REPLACING TAMPER RESISTANT CHOKE COVER

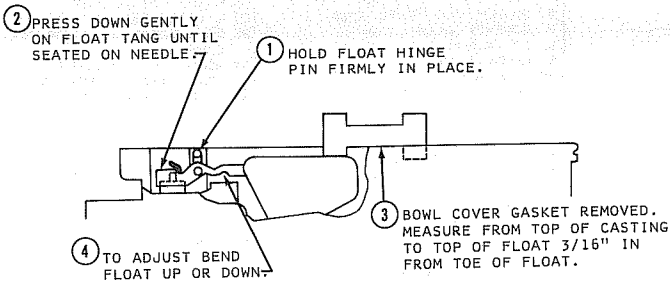
FIG. 1



SUPPORT THROTTLE BODY. THEN PLACE A PUNCH BETWEEN THE TWO LOCATOR POINTS IN THROTTLE BODY. BREAK OUT THROTTLE BODY TO GAIN ACCESS TO THE IDLE MIXTURE NEEDLE. DRIVE OUT HARDENED STEEL PLUG COVERING MIXTURE NEEDLE. HARDENED PLUG WILL SHATTER (PLUG WILL NOT BE REPLACED). REMOVE IDLE ADJUSTING NEEDLE USING PROPER DEEP SOCKET.

IDLE MIXTURE NEEDLE PLUG REMOVAL

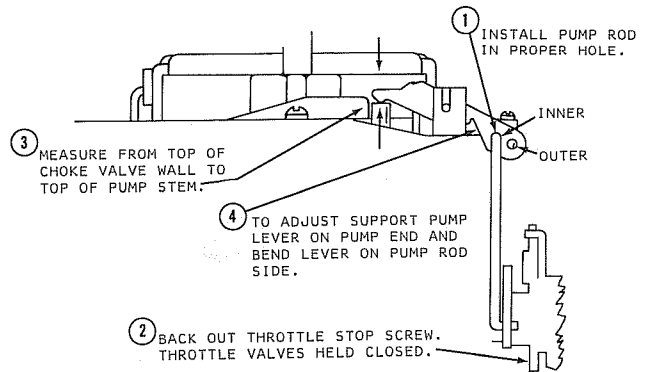
FIG. 2



CAUTION: DO NOT EXERT PRESSURE ON RESILIENT NEEDLE VALVE.

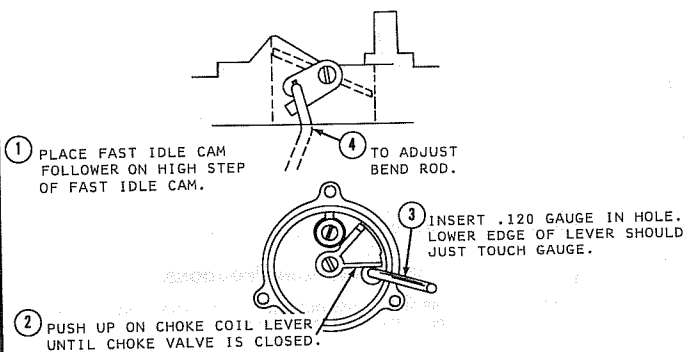
DRY FLOAT LEVEL ADJUSTMENT

FIG. 3



PUMP ROD ADJUSTMENT

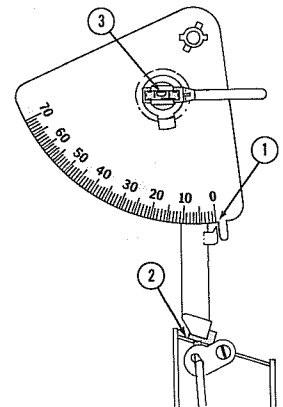
FIG. 4



CHOKE COIL LEVER ADJUSTMENT

FIG. 5

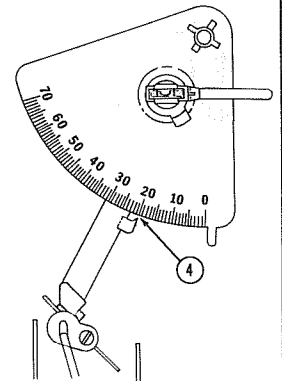
1. ROTATE DEGREE SCALE UNTIL ZERO(0) IS OPPOSITE POINTER.
2. CHOKE VALVE HELD COMPLETELY CLOSED. PLACE MAGNET SQUARELY ON TOP OF CHOKE VALVE.
3. ROTATE BUBBLE UNTIL IT IS CENTERED.



4. ROTATE SCALE SO THAT DEGREE SPECIFIED FOR ADJUSTMENT IS OPPOSITE POINTER.
5. FOLLOW NUMERICAL OUTLINE IN MAKING ADJUSTMENT.
6. ADJUST UNTIL BUBBLE IS CENTERED.

CAUTION: PLACE CARBURETOR ON HOLDING FIXTURE SO THAT IT WILL REMAIN IN SAME POSITION WHEN GAUGE IS IN PLACE.

GAUGE : J-26701 KENT MOORE TOOL  
BT-7704 BORROUGHS TOOL

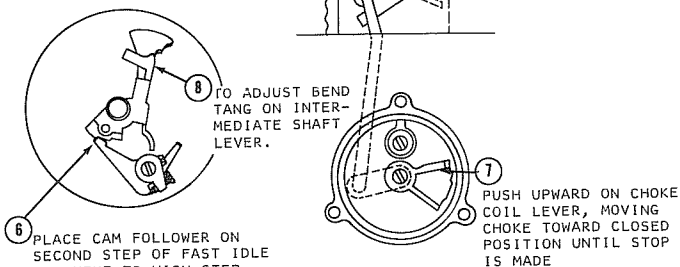


ANGLE GAUGE BASIC ADJUSTMENT.  
CONTINUE NUMERICAL OUTLINE IN EACH ADJUSTMENT USING DEGREE SETTING.

FIG. 6

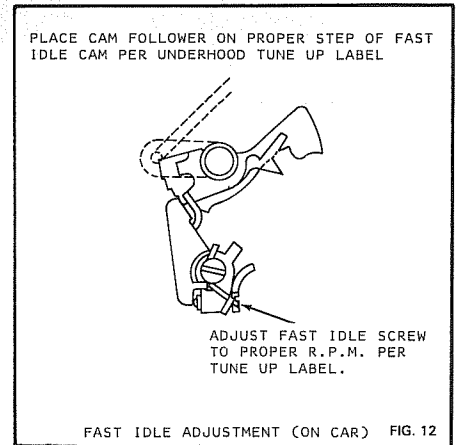
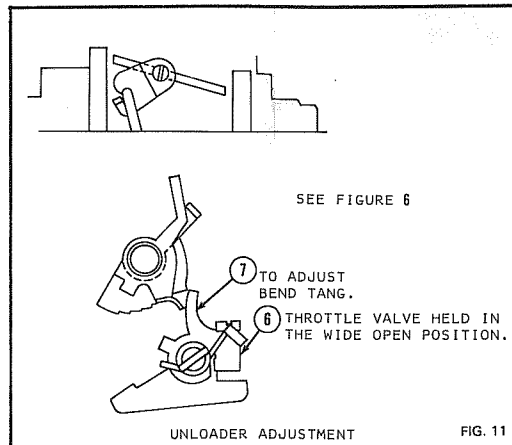
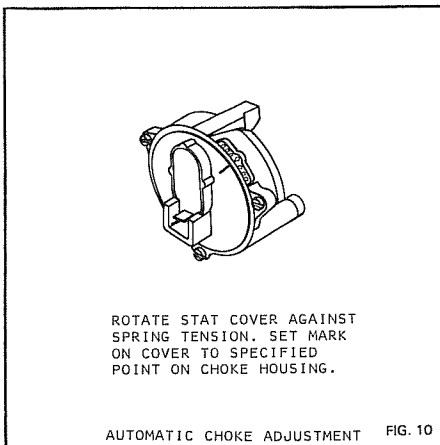
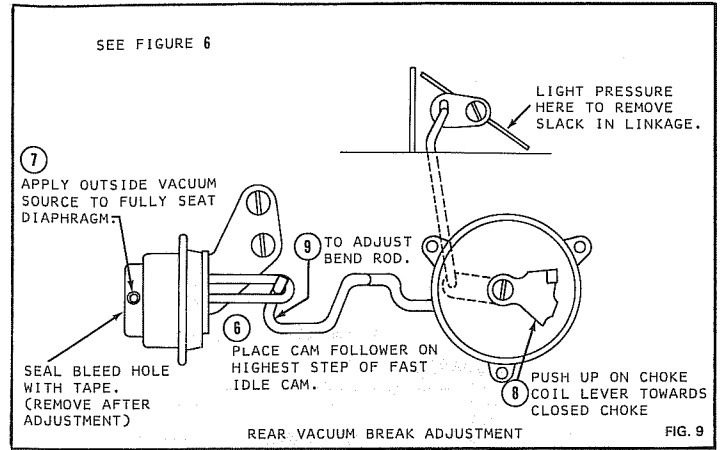
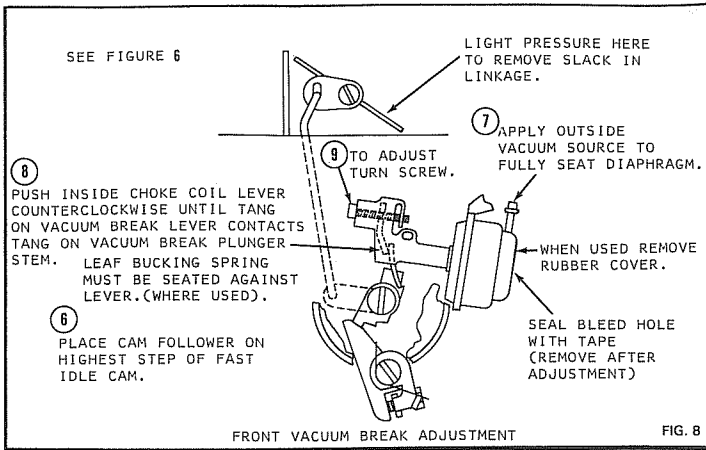
SEE FIGURE 6

LIGHT PRESSURE HERE TO REMOVE SLACK IN LINKAGE



CHOKE ROD FAST IDLE CAM ADJUSTMENT

FIG. 7



## ADJUSTMENT DATA TABLE

YEAR	APPLICATIONS	FLOAT LEVEL SETTING	PUMP ROD LOCATION	PUMP ROD SETTING	FAST IDLE CAM SETTING		VACUUM BREAK SETTING FRONT		VACUUM BREAK SETTING REAR		AUTO CHOKE SETTING	UNLOADER UNLOADER SETTING	
					°	"	°	"	°	"		°	"
1979	GM Products 231" Eng. V6 Calif. Carb. #17059496	5/16"	Outer	3/8"	24.5°	.139"	21°	.117"	30°	.179"	1-RICH	38°	.243"

\*Decimal Equivalent Setting - Measure distance between upper edge of choke valve and air horn wall.  
Specification for slow and fast idle R.P.M. check engine compartment label.