

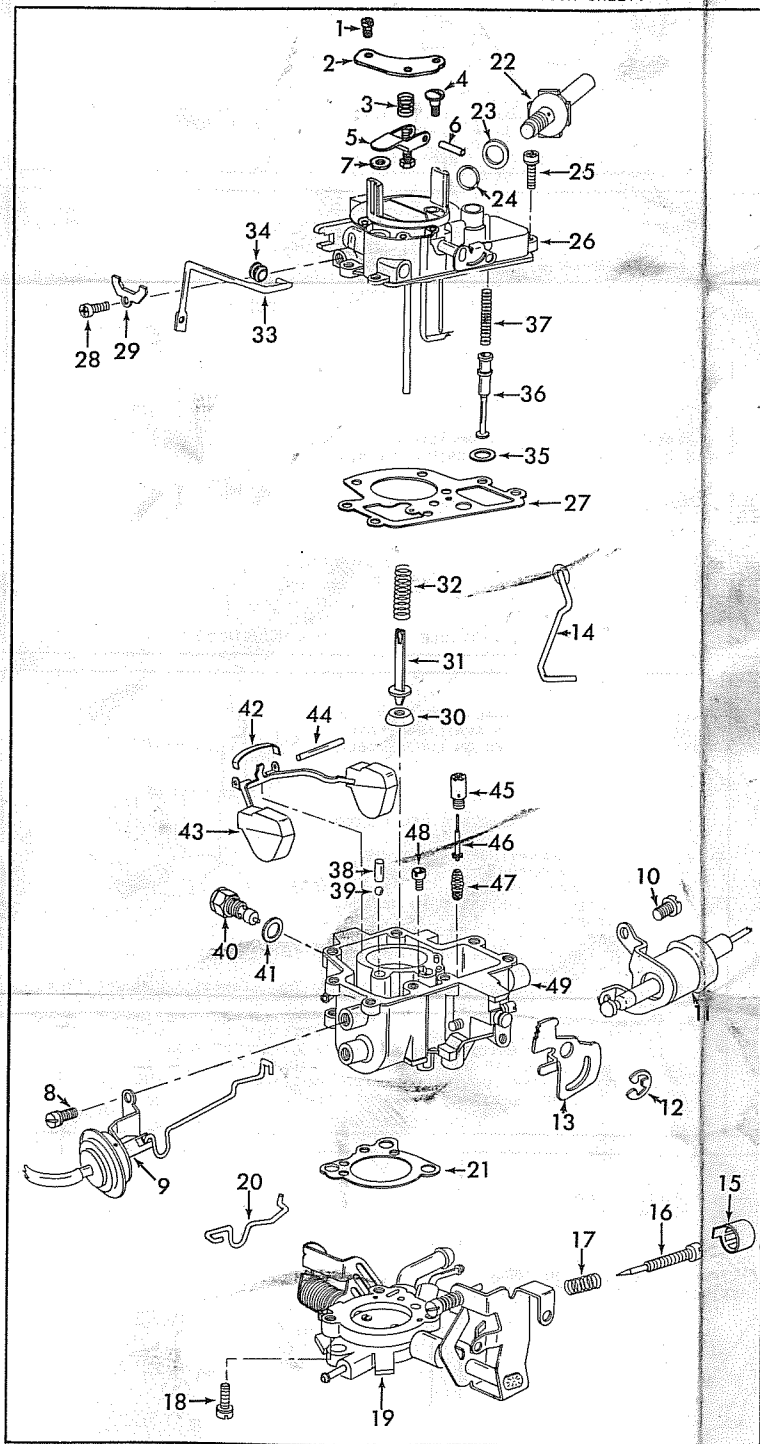
# INSTRUCTION SHEET

## HOLLEY CARBURETOR-MODEL 1945

50-490-6

### GENERAL EXPLODED VIEW

THE GENERAL DESIGN AND PARTS SHOWN WILL VARY TO INDIVIDUAL UNITS COVERED ON THIS INSTRUCTION SHEET.



### DISASSEMBLY

USE EXPLODED VIEW AS A GUIDE. THE NUMERICAL SEQUENCE GENERALLY BE FOLLOWED TO DISASSEMBLE UNIT FAR ENOUGH TO PERMIT CLEANING AND INSPECTION. **CAUTION:** MAKE NOTE OF SLOT IN OPERATING LEVER, PUMP LINK (20) IS REMOVED FROM MAIN WELL TUBE IS NOT REMOVABLE. TAKE EXTREME CARE SO AS NOT TO BEND OR DAMAGE TUBE. **NOTE:** REMOVE STAKING FROM BOWL COVER FOR EASY REMOVAL OF POWER PISTON RETAINING WASHER (35). TO REMOVE PLASTIC LIMITER CAP (15) INSTALL A SHEET METAL SCREW IN THE CENTER OF THE CAP AND TURN CLOCKWISE.

### NOMENCLATURE

REF. NO.	REF. NO.
1. SCREW (3)- VENT VALVE COVER	25. SCREW & LOCKWASHER (7)- BOWL COVER
2. COVER- VENT VALVE	26. BOWL COVER ASSY.
3. SPRING- VENT LEVER	27. GASKET- BOWL COVER
4. SCREW- LEVER PIN	28. SCREW- PUMP ROD CLAMP
5. LEVER- VENT VALVE	29. CLAMP- PUMP ROD
6. PIN- LEVER	30. CUP- PUMP
7. VALVE- VENT (1976)	31. STEM- PUMP CUP
8. SCREW (2)- CHOKE PULL OFF ASSY.	32. SPRING- PUMP
9. CHOKE PULL OFF ASSY.	33. ROD- PUMP
10. SCREW & LOCKWASHER (2)- TP SOLENOID ASSY.	34. SEAL- PUMP ROD
11. TP SOLENOID ASSY.	35. WASHER RETAINER- PISTON
12. RETAINER- FAST IDLE CAM	36. PISTON- POWER VALVE
13. CAM- FAST IDLE	37. SPRING- POWER VALVE PISTON
14. ROD & WASHER- FAST IDLE	38. WEIGHT- PUMP DISC- BALL
15. CAP- IDLE LIMITER	39. BALL- PUMP DISC- CHECK
16. NEEDLE- IDLE ADJUSTING	40. NEEDLE & SEAT ASSY.
17. SPRING- IDLE ADJ. NEEDLE	41. GASKET- NEEDLE SEAT
18. SCREW & LOCKWASHER (3)- THROTTLE BODY	42. RETAINER- FLOAT PIN
19. THROTTLE BODY ASSY.	43. FLOAT ASSY.
20. LINK- PUMP OPERATING	44. PIN- FLOAT HINGE
21. GASKET- THROTTLE BODY	45. JET- POWER VALVE
22. VALVE- IDLE ENRICHMENT (1975)	46. STEM- POWER VALVE
23. GASKET- VALVE	47. SPRING- POWER VALVE
24. O-RING- VALVE	48. JET- MAIN
	49. BOWL ASSY.

### CLEANING

CLEANING MUST BE DONE WITH CARBURETOR DISASSEMBLED. SOAK PARTS LONG ENOUGH TO SOFTEN AND REMOVE ALL FOREIGN MATERIAL. USE A CARBURETOR CLEANING SOLVENT. MAKE CERTAIN THE THROTTLE BORES ARE FREE OF ALL CARBON AND VARNISH DEPOSITS. RINSE OFF IN SUITABLE SOLVENT. BLOW OUT ALL PASSAGES IN CASTINGS WITH COMPRESSED AIR AND CHECK CAREFULLY TO INSURE THOROUGH CLEANING OF OBSCURE AREAS. **CAUTION:** DO NOT SOAK FLOAT (43), ENRICHMENT VALVE (22), CHOKE PULL OFF (9) OR SOLENOID UNITS OR PARTS CONTAINING RUBBER IN CLEANING SOLVENT.

### REASSEMBLY

REASSEMBLE IN REVERSE ORDER OF DISASSEMBLY. NOTE SPECIAL INSTRUCTIONS AND FOLLOW NUMERICAL OUTLINE IN MAKING ADJUSTMENTS NECESSARY FOR CARBURETOR BEING SERVICED.

### SPECIAL INSTRUCTIONS

POWER VALVE SPRING (47)- SPRING IN KIT IS GOOD FOR 74-75 ONLY. 76-77- USE OLD SPRING OVER.

PUMP SPRING (32)- INSTALL WITH SMALL END TOWARDS PUMP CUP.

POWER PISTON WASHER (35)- LIGHTLY STAKE CASTING AROUND WASHER.

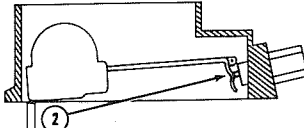
PUMP LINK (20)- INSTALLED IN SLOT NOTED ON DISASSEMBLY.

THROTTLE BODY SCREW INSTALLATION (18)- TIGHTEN EVENLY AND TORQUE TO 30 INCH LBS.

IDLE ADJ. NEEDLE (16)- TURN IN UNTIL LIGHTLY SEATED, THEN BACK OUT 1 1/2 TURNS. (DO NOT INSTALL LIMITER CAP AT THIS TIME.)

# ADJUSTMENTS

① FLOAT BOWL INVERTED AND FLOAT PIN HELD IN PLACE BY FLOAT PIN RETAINER. STRAIGHT EDGE HELD ACROSS SURFACE OF FLOAT BOWL AT TOE END OF FLOATS. DISTANCE BETWEEN STRAIGHT EDGE AND FLOAT SHOULD BE AS SPECIFIED.



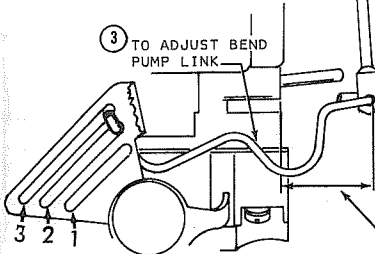
② TO ADJUST BEND FLOAT TANG.

CAUTION: DO NOT EXERT PRESSURE ON RESILIENT NEEDLE VALVE.

DRY FLOAT LEVEL ADJUSTMENT FIG. 1

① THROTTLE HELD IN CLOSED POSITION (CURB IDLE) (LINK IN HOLE RECORDED ON DISASSEMBLE.)

②A ALL OTHERS. MEASURE PUMP OPERATING LINK LENGTH.



③ TO ADJUST BEND PUMP LINK

② MEASURE DISTANCE FROM VACUUM PASSAGE CASTING TO OUTER EDGE OF HOLE IN PUMP OPERATING ROD.

1974 PASSENGER CAR

PUMP STROKE ADJUSTMENT FIG. 2

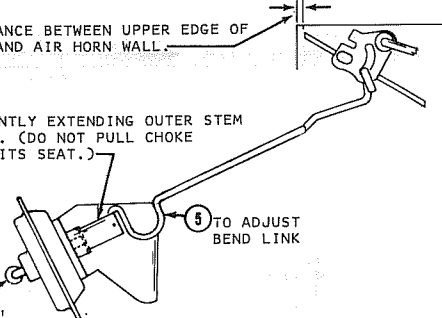
① PLACE FAST IDLE SCREW ON HIGH STEP OF CAM.

④ MEASURE DISTANCE BETWEEN UPPER EDGE OF CHOKE VALVE AND AIR HORN WALL.

③ CLOSE CHOKE GENTLY EXTENDING OUTER STEM UNTIL IT STOPS. (DO NOT PULL CHOKE DIAPHRAGM OFF ITS SEAT.)

② APPLY OUTSIDE VACUUM SOURCE TO FULLY SEAT DIAPHRAGM (15")

⑤ TO ADJUST BEND LINK

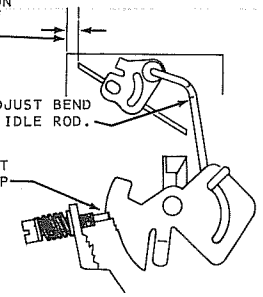


CHOKE PULLOFF ADJUSTMENT FIG. 3

② HOLD CHOKE VALVE TOWARD CLOSED POSITION MEASURE DISTANCE BETWEEN UPPER EDGE OF CHOKE VALVE AND AIR HORN WALL.

③ TO ADJUST BEND FAST IDLE ROD.

① PLACE FAST IDLE SCREW ON SECOND HIGHEST STEP OF FAST IDLE CAM AGAINST HIGH STEP

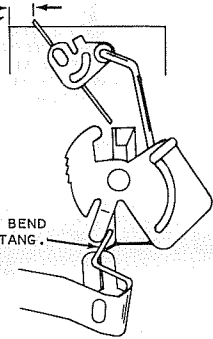


FAST IDLE CAM POSITION ADJUSTMENT FIG. 4

① HOLD THROTTLE LEVER IN WIDE OPEN POSITION.

② HOLD CHOKE VALVE TOWARD CLOSED POSITION. MEASURE DISTANCE BETWEEN UPPER EDGE OF CHOKE VALVE AND AIR HORN WALL

③ TO ADJUST BEND UNLOADER TANG.

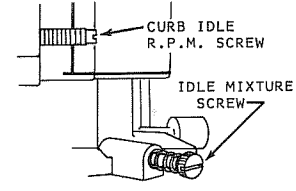


UNLOADER ADJUSTMENT FIG. 5

USE FACTORY CAR MANUAL PROCEDURE FOR SETTING CURB IDLE IF AVAILABLE, AND SPECIFICATIONS LISTED ON ENGINE DECAL

SUPPLEMENT

- SET IGNITION TIMING PER CAR FACTORY SPECIFICATIONS AND PROCEDURE.
- ENGINE AT OPERATING TEMPERATURE, CHOKE FULLY OPEN. AIR CLEANER INSTALLED. AUTOMATIC TRANSMISSION IN NEUTRAL. (NOT PARK) A/C OFF
- ADJUST THROTTLE STOP SCREW TO SPECIFIED CURB IDLE SPEED R.P.M. USING A TACHOMETER.
- ADJUST IDLE MIXTURE NEEDLE TO OBTAIN THE HIGHEST R.P.M. AT THE LEANEST BEST IDLE SETTING. READJUST IDLE SPEED IF NECESSARY.
- AFTER COMPLETING THE ABOVE, INSTALL THE LIMITER CAP ON THE IDLE MIXTURE NEEDLE. NOTE: TO AID INSTALLATION, IT MAY BE NECESSARY TO SOAK CAP IN BOILING HOT WATER FOR A FEW MINUTES.
  - PLACE THE CAP ON THE MIXTURE NEEDLE HEAD WITH THE TAB IN THE EXTREME COUNTERCLOCKWISE POSITION AGAINST THE LIMITER STOP. PRESS FIRMLY ON CAP TO SEAT.



CURB IDLE R.P.M. SCREW

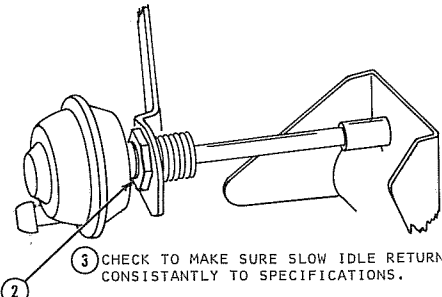
IDLE MIXTURE SCREW

SLOW IDLE ADJUSTMENT FIG. 6

① ENGINE RUNNING OPEN THROTTLE AND HOLD AT SPECIFIED R.P.M.

② ADJUST DASHPOT SO STEM JUST CONTACTS LEVER AND TIGHTEN LOCKNUT. (DO NOT DEPRESS STEM)

③ CHECK TO MAKE SURE SLOW IDLE RETURNS CONSISTANTLY TO SPECIFICATIONS.



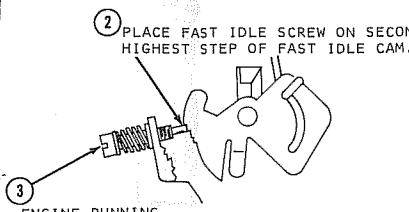
DASHPOT ADJUSTMENT FIG. 7

① AIR CLEANER REMOVED AND VACUUM FITTINGS PLUGGED. TRANSMISSION IN NEUTRAL.

② PLACE FAST IDLE SCREW ON SECOND HIGHEST STEP OF FAST IDLE CAM.

③ ENGINE RUNNING ADJUST FAST IDLE SCREW TO PROPER R.P.M.

(CHECK INFORMATION ON ENGINE DECAL)

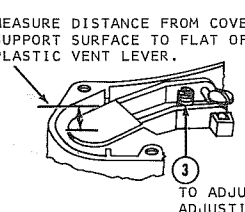


FAST IDLE SPEED ADJUSTMENT FIG. 8

① CURB IDLE ADJUSTED

② MEASURE DISTANCE FROM COVER SUPPORT SURFACE TO FLAT OF PLASTIC VENT LEVER.

③ TO ADJUST TURN ADJUSTING SCREW.



ON CAR BOWL VENT VALVE ADJUSTMENT FIG. 9

# ADJUSTMENT DATA TABLE

Year	Application All Chrysler Products		Float Level	Pump Adj.		Choke Pull Off	Fast Idle Cam	Unloader	Dashpot R.P.M.	Fast Idle R.P.M.	Bowl Vent Adj.
				Slot	Stroke						
1974	Passenger 198" Eng. 225" Eng.	M/T	Flush	--	11/16"	9/64"	5/64"	1/4"	2300	1600	1/16"
		A/T	Flush	--	13/16"	3/32"	5/64"	1/4"	----	1700	1/16"
		A/T	Flush	--	3/4"	3/32"	5/64"	1/4"	----	1700	1/16"
1974	Truck	M/T	Flush	--	2 7/32"	9/64"	5/64"	1/4"	2300	1600	1/16"
		A/T	Flush	--	2 11/32"	3/32"	5/64"	1/4"	----	1700	1/16"
1975	Passenger	M/T	3/64**	--	2 7/32"	1/8"	5/64"	1/4"	2300	1600	1/16"
		A/T	3/64**	--	2 21/64"	3/32"	5/64"	1/4"	----	1700	1/16"
1975	Truck	M/T	3/64**	--	2 7/32"	7/64"	5/64"	1/4"	2300	1600	1/16"
		A/T	3/64**	--	2 21/64"	3/32"	5/64"	1/4"	----	1700	1/16"
1976	Passenger	M/T	Flush**	--	2 7/32"	7/64"	5/64"	1/4"	2300	1600	1/16"
		A/T	Flush**	--	2 21/64"	7/64"	5/64"	1/4"	----	1700	1/16"
1977-78	Passenger	M/T	Flush**	2	2 7/32"	7/64"	5/64"	1/4"	2500	1600	1/16"
		A/T	Flush**	3	2 21/64"	7/64"	5/64"	1/4"	----	1700	1/16"
1977-78	Passenger Calif.	M/T	Flush**	2	2 7/32"	5/32"	5/64"	1/4"	2500	1600	1/16"
		A/T	Flush**	3	2 21/64"	1/8"	5/64"	1/4"	----	1700	1/16"
1979	Passenger	M/T	Flush**	1	1 45/64"	7/64"	5/64"	1/4"	2500	1400	1/16"
		A/T	Flush**	2	1 5/8"	7/64"	5/64"	1/4"	----	1600	1/16"
1979	Truck	M/T	Flush**	1	2 7/32"	7/64"	5/64"	1/4"	2300	1600	1/16"
		A/T	Flush**	2	2 21/64"	7/64"	5/64"	1/4"	----	1600	1/16"
1980	Passenger 49States	M/T	Flush**	1	1 45/64"	.150"	.090"	1/4"	2300	1400	1/16"
	49 States	A/T	Flush**	2	1 5/8"	.140"	.090"	1/4"	----	1600	----
	Canada	M/T	Flush**	1	1 45/64"	.110"	.090"	1/4"	2300	1400	1/16"
	Canada	A/T	Flush**	2	1 5/8"	.110"	.090"	1/4"	----	1600	----
1980	Truck 49 States	M/T	Flush**	1	1 45/64"	.130"	.080"	1/4"	----	1600	.060"
	49 States	A/T	Flush**	2	1 39/64"	.130"	.090"	1/4"	----	1600	.060"
	Canada	M/T	Flush**	1	1 45/64"	.100*	.080"	1/4"	2300	1600	.060"
	Canada	A/T	Flush**	2	1 39/64"	.100"	.080"	1/4"	----	1600	.060"

\* 3/64" Clearance

\*\*Flush with bowl cover gasket in place