

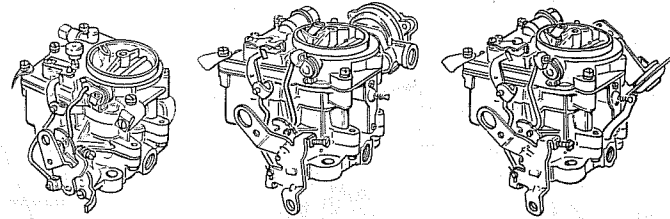
INSTRUCTION SHEET

ROCHESTER CARBURETOR - MODELS: 2G-2GC-2GV

50-359-1

GENERAL EXPLODED VIEW

THE GENERAL DESIGN AND PARTS SHOWN WILL VARY TO INDIVIDUAL UNITS COVERED ON THIS INSTRUCTION SHEET. ON TRIPLE CARBURETOR INSTALLATIONS, THE FRONT AND REAR CARBURETORS DO NOT CONTAIN CHOKE PARTS, IDLE ADJUSTING NEEDLES OR POWER VALVE PARTS.



MODEL 2G
HAND CHOKE TYPE

MODEL 2GC
AUTOMATIC CHOKE
VACUUM PISTON AND
STAT COVER TYPE

MODEL 2GV
AUTOMATIC CHOKE
VACUUM BREAK TYPE

DISASSEMBLY

USE EXPLODED VIEW AS A GUIDE. THE NUMERICAL SEQUENCE MAY GENERALLY BE FOLLOWED TO DISASSEMBLE UNIT FAR ENOUGH TO PERMIT CLEANING AND INSPECTION. NOTE: BOWL COVER MOUNTED AUTOMATIC CHOKE MODELS USUALLY ONLY REQUIRE REMOVAL OF STAT COVER OR VACUUM UNIT. CAUTION: IF CHOKE SHAFT REQUIRES REMOVAL, CHOKE VALVE SCREWS ARE STAKED OVER, AND STAKING MUST BE FILED OFF BEFORE SCREWS ARE TURNED. HOT WATER TYPE STAT COVERS SHOULD NOT BE DISASSEMBLED UNLESS PARTS ARE BEING REPLACED, AND SHOULD NOT BE IMMERSED IN CLEANER OR SOLVENT. REMOVE STAKING FROM BOWL COVER FOR EASY REMOVAL OF POWER PISTON ASSEMBLY (33). 1968-69 MODELS HAVE SPECIAL ADJUSTMENT SCREWS PLUGGED AND FACTORY SEALED. **DO NOT REMOVE.**

NOMENCLATURE

REF. NO.	REF. NO.
1. RETAINER-PUMP ROD LOWER	41. BALL-PUMP INTAKE (USED IN TYPES WITH SEAT IN CASTING).
2. ROD-PUMP	42. GUIDE-PUMP DISCHARGE BALL
3. SCREW-FAST IDLE CAM	43. SPRING-PUMP DISCHARGE BALL
4. CAM-FAST IDLE	44. BALL-PUMP DISCHARGE
5. SCREW-TRIP LEVER	45. VALVE ASSY.-POWER
6. LEVER-TRIP	46. GASKET-POWER VALVE
7. LEVER AND COLLAR-CHOKE	47. JETS-MAIN METERING
8. ROD-CHOKE	48. SCREW & LOCKWASHER-THROTTLE BODY TO BOWL
9. SCREW-IDLE VENT VALVE	49. BOWL ASSY.-FLOAT
10. SHIELD-IDLE VENT VALVE	50. GASKET-BODY FLANGE-USED WITH OR WITHOUT IDLE COMPENSATOR (60)
11. VALVE-IDLE VENT	50A GASKET-BODY FLANGE-WITH VAPOR VENT SLOTS-FOR TYPES WITHOUT IDLE COMPENSATOR
12. FITTING-FUEL INLET	50B GASKET-BODY FLANGE-WITH VAPOR VENT OPENING AND IDLE COMPENSATOR PASSAGE-MAY SUB FOR 50 & 50A
13. GASKET-FUEL INLET FITTING	51. THROTTLE BODY ASSY.
14. GASKET-FUEL FILTER	52. NEEDLE-IDLE ADJUSTING
15. FILTER-FUEL INLET	53. SPRING-IDLE ADJUSTING NEEDLE
16. SPRING-FUEL FILTER	54. GASKET-FLANGE
17. SCREW-STAT COVER RETAINER	55. NEEDLE-IDLE AIR ADJUSTING (FOR BY-PASS IDLE SYSTEM)
18. RETAINER-STAT COVER-TOOTHED	56. SPRING-IDLE AIR ADJUSTING NEEDLE
19. RETAINER-STAT COVER-PLAIN	57. SCREW-COVER IDLE COMPENSATOR
20. STAT COVER & SPRING ASSY.	58. COVER-IDLE COMPENSATOR
21. GASKET-STAT COVER	59. SCREW-IDLE COMPENSATOR VALVE
22. PLATE-CHOKE BAFFLE	60. VALVE-IDLE COMPENSATOR
23. GASKET-CHOKE HOUSING (NOT SHOWN)	61. GASKET-IDLE COMPENSATOR VALVE
24. SCREW & LOCKWASHER-BOWL COVER (EXTRA LONG)	62. STAT COVER & SPRING ASSY. HOT WATER TYPE CHOKE.
25. SCREW & LOCKWASHER-BOWL COVER	63. RETAINER-FILTER
26. BOWL COVER ASSY.	64. FILTER-AIR INTAKE
27. PIN-FLOAT HINGE	65. RETAINER-VACUUM CONTROL ROD (2GV)
28. FLOAT & LEVER ASSY.	66. ROD-VACUUM CONTROL (2GV)
29. NEEDLE, SEAT & GASKET ASSY.	67. SCREW-STAT ROD LEVER (2GV)
30. GASKET-BOWL COVER	68. LEVER-STAT ROD (2GV)
31. RETAINER-PUMP PLUNGER	69. SCREW-VACUUM CONTROL ATTACHING
32. PUMP PLUNGER	70. VACUUM BREAK CONTROL ASSY. (2GV)
33. POWER PISTON ASSY.	71. HOSE-VACUUM BREAK CONTROL (2GV)
34. SCREW-VENTURI CLUSTER CENTER	
35. WASHER-FIBER-VENTURI CLUSTER CENTER SCREW.	
36. SCREW & LOCKWASHER-VENTURI CLUSTER.	
37. VENTURI CLUSTER ASSY.	
38. GASKET-VENTURI CLUSTER ASSY.	
39. INSERT-MAIN WELL	
40. SPRING-PUMP RETURN	

CLEANING

CLEANING MUST BE DONE WITH CARBURETOR DISASSEMBLED. SOAK PARTS LONG ENOUGH TO SOFTEN AND REMOVE ALL FOREIGN MATERIAL. USE (1) A CARBURETOR CLEANING SOLVENT, (2) LACQUER THINNER OR (3) DENATURED ALCOHOL. MAKE CERTAIN THE THROTTLE BODY IS FREE OF ALL HARD CARBON DEPOSITS. RINSE OFF IN SUITABLE SOLVENT. BLOW OUT ALL PASSAGES IN CASTINGS WITH COMPRESSED AIR AND CHECK CAREFULLY TO INSURE THOROUGH CLEANING OF OBSCURE AREAS. CAUTION: DO NOT SOAK RUBBER, LEATHER OR PLASTIC PARTS IN SOLVENT.

REASSEMBLY

REASSEMBLE IN REVERSE ORDER OF DISASSEMBLY. NOTE SPECIAL INSTRUCTIONS AND FOLLOW NUMERICAL OUTLINE IN MAKING ADJUSTMENTS. SEE OTHER SIDE.

SPECIAL INSTRUCTIONS

PLUNGER (32) - REMOVE PAPER SLEEVE FROM LEATHER CUP IF USED. FLEX LEATHER CUP OUTWARD SLIGHTLY. SOAK CUP IN GASOLINE, KEROSENE OR OIL FOR A FEW MINUTES PRIOR TO PLACING IN CARBURETOR.

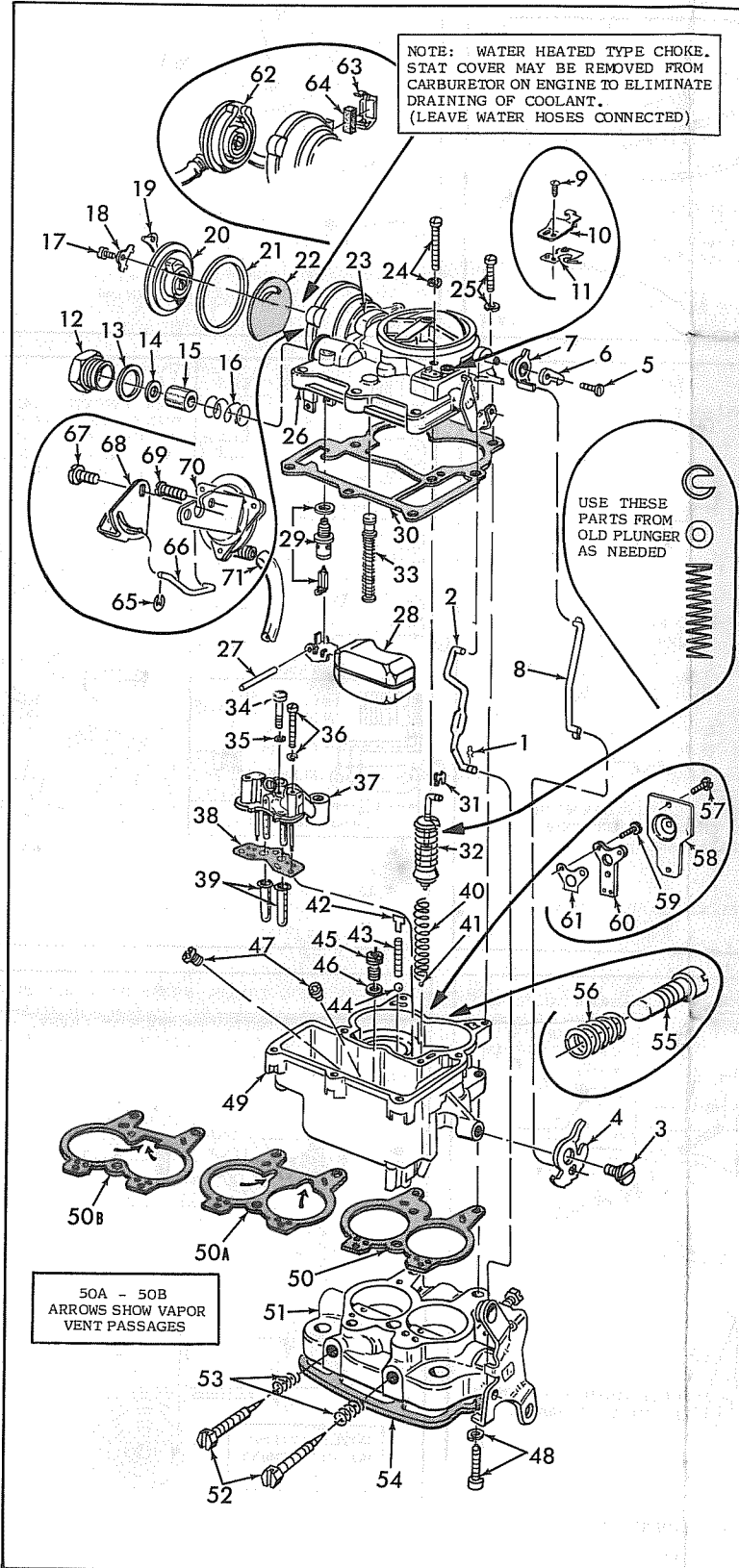
NEEDLE AND SEAT GASKET SELECTION - REFER TO FIGURE 1, PAGE 2.

POWER PISTON INSTALLATION (33) - LIGHTLY STAKE CASTING AROUND WASHER.

IDLE ADJUSTING NEEDLES (52) - TURN EACH NEEDLE IN LIGHTLY UNTIL SEATED, THEN BACK OUT 2-4 TURNS.

IDLE AIR SCREW (55) IF USED - TURN IN TO SEAT AND BACK OUT 2 TURNS.

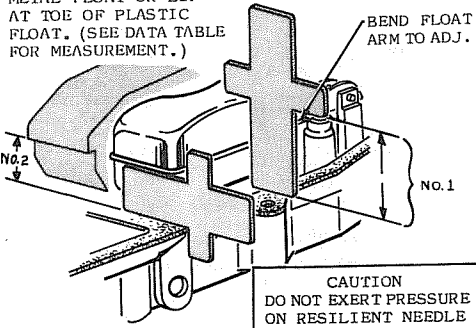
1967-68 OLDS. PLACE FELT DUST SEAL ON CHOKE PISTON SHAFT BEFORE INSTALLING SHAFT.



ADJUSTMENTS

PROCEDURE NO. 2
WITH GASKET IN PLACE,
GAUGE FROM GASKET
SURFACE TO SHARP
EDGE OF SEAM ON
METAL FLOAT OR LIP
AT TOE OF PLASTIC
FLOAT. (SEE DATA TABLE
FOR MEASUREMENT.)

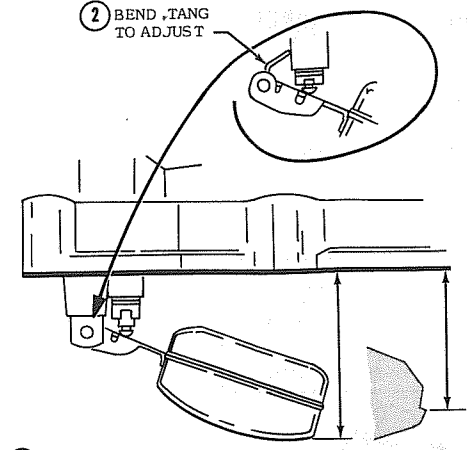
PROCEDURE NO. 1
WITH GASKET IN PLACE,
GAUGE FROM GASKET
SURFACE TO TOP OF
FLOAT. (SEE DATA TABLE
FOR MEASUREMENT).



CAUTION
DO NOT EXERT PRESSURE
ON RESILIENT NEEDLE
VALVE

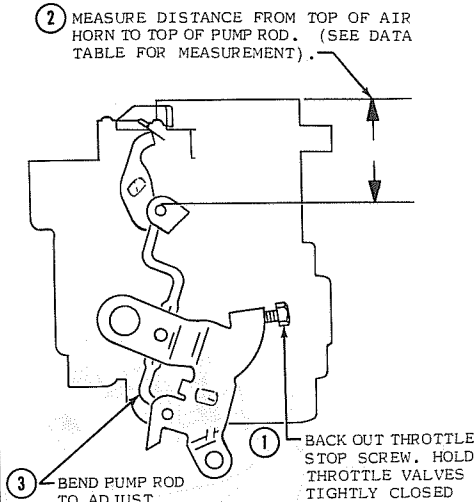
NOTE: WHEN TWO NEEDLE SEAT GASKETS
ARE SUPPLIED, USE THIN GASKET FIRST.
IF FLOAT MEASUREMENT IS EXTREMELY
LOW, THEN REPLACE WITH THICKER GASKET

Fig. 1
FLOAT LEVEL ADJUSTMENT



① WITH FLOAT HANGING FREELY, MEASURE
FROM GASKET SURFACE TO BOTTOM OF
METAL FLOAT OR LIP OF PLASTIC FLOAT.
(SEE DATA TABLE FOR MEASUREMENT.)

Fig. 2
FLOAT DROP ADJUSTMENT



③ BEND PUMP ROD
TO ADJUST

① BACK OUT THROTTLE
STOP SCREW. HOLD
THROTTLE VALVES
TIGHTLY CLOSED

Fig. 3
PUMP ROD ADJUSTMENT

(1968-69) ADJUST IDLE VENT VALVE OPENING .020
TO .025 WITH ENGINE AT SPECIFIED IDLE R.P.M.
AND IDLE STOP SOLENOID ENERGIZED. (GAUGE AT
POINT OF LARGEST VENT VALVE OPENING.)

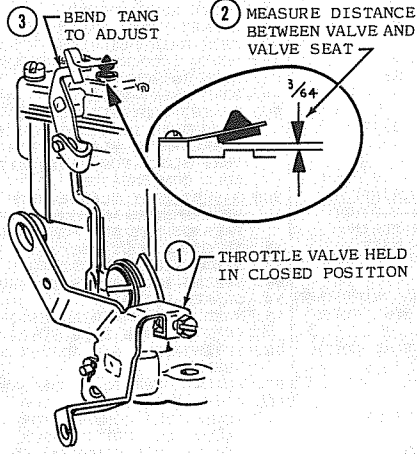


Fig. 4
IDLE VENT VALVE ADJUSTMENT

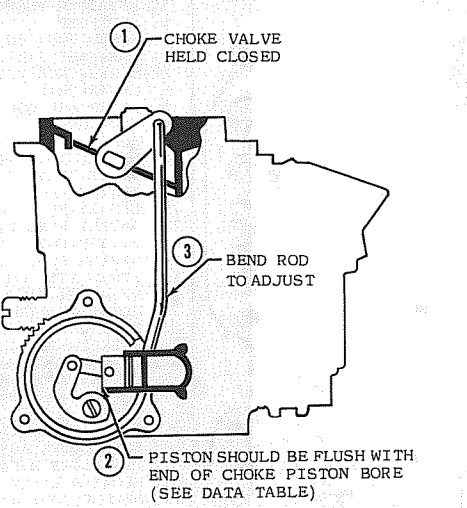


Fig. 5
INTERMEDIATE CHOKE ROD ADJUSTMENT

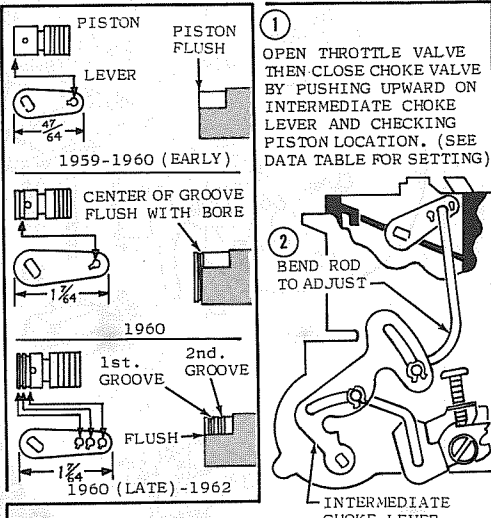
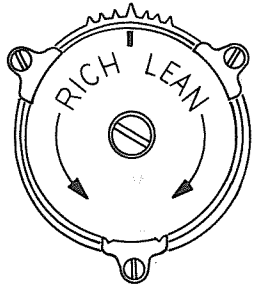


Fig. 6
INTERMEDIATE CHOKE ROD ADJUSTMENT
SPLIT CHOKE TYPE

ROTATE STAT COVER AGAINST SPRING
TENSION. SET MARK ON COVER TO
SPECIFIED POINT ON CHOKE HOUSING.
(SEE DATA TABLE FOR SETTING)



ALLOWABLE VARIATIONS - 2 NOTCHES
EITHER WAY FROM INITIAL SETTING

Fig. 7
AUTOMATIC CHOKE ADJUSTMENT (2GC) TYPE

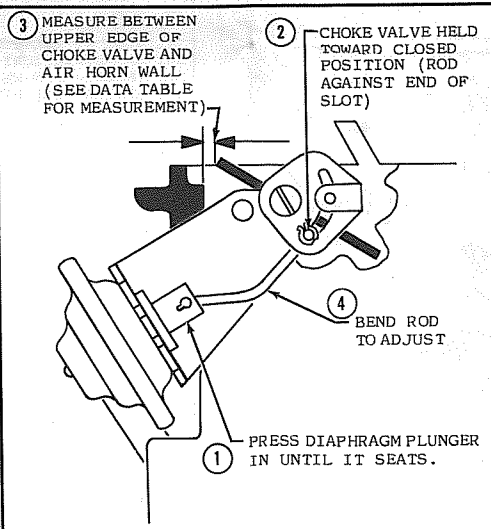
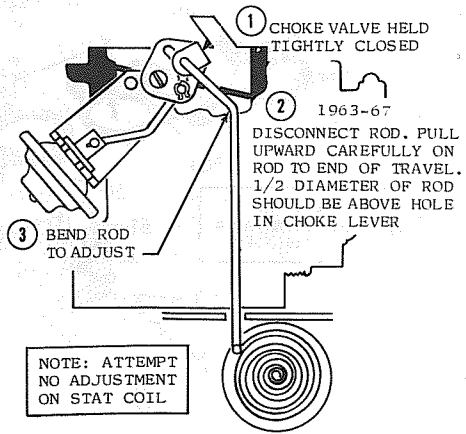


Fig. 8
VACUUM BREAK ADJUSTMENT (2GV) TYPE

1968-69 CHEV. MODELS. PRESS DOWNWARD ON ROD
TO LIMIT OF TRAVEL. TOP OF ROD END SHOULD
BE EVEN WITH BOTTOM OF HOLE IN LEVER.
1968-69 BUICK, PONTIAC, TEMPEST. PULL UPWARD
ON CHOKE ROD TO LIMIT OF TRAVEL. ROD END
SHOULD FIT IN GAUGE NOTCH OF LEVER.



NOTE: ATTEMPT
NO ADJUSTMENT
ON STAT COIL

Fig. 9
AUTOMATIC CHOKE STAT ROD ADJUSTMENT
(2GV) TYPE (ON CAR ADJUSTMENT)

1 ALIGN INSIDE INDEX MARK ON THE INNER COVER WITH INDEX POINT ON THE OUTER COVER

NOTE:
THIS ADJUSTMENT ONLY NEEDED IF UNIT HAS BEEN DISASSEMBLED

2 ROTATE COMPLETE CHOKE COVER ASSEMBLY COUNTER CLOCKWISE, ALIGN INDEX MARK WITH SPECIFIED POINT ON CHOKE HOUSING. (SEE DATA TABLE FOR SETTING)

HOT WATER CHOKE COIL ADJUSTMENT Fig.10

2 HOLD CHOKE VALVE TOWARD THE CLOSED POSITION, THEN MEASURE BETWEEN UPPER EDGE OF CHOKE VALVE AND INNER AIR HORN CASTING. (SEE DATA TABLE FOR MEASUREMENT)

3 BEND TANG TO ADJUST

1 TURN IDLE STOP SCREW IN UNTIL IT JUST TOUCHES LOW STEP OF FAST IDLE CAM, THEN TURN IN 1-1/2 MORE TURNS. PLACE SCREW ON SECOND STEP OF CAM NEXT TO SHOULDER OF HIGH STEP.

CHOKE ROD ADJUSTMENT Fig.11

2 PUSH UPWARD ON INTERMEDIATE CHOKE LEVER UNTIL RODS ARE AT END OF SLOTS AND CHOKE VALVE TOWARD CLOSED POSITION, MEASURE DISTANCE BETWEEN UPPER EDGE OF CHOKE VALVE AND INNER AIR HORN CASTING. (SEE DATA TABLE FOR MEASUREMENT).

1 IDLE SPEED SCREW TURNED IN 1-1/2 TURNS. PLACE SCREW ON SECOND STEP OF CAM NEXT TO SHOULDER OF HIGH STEP

3 BEND ROD TO ADJUST

CHOKE ROD ADJUSTMENT SPLIT CHOKE TYPE Fig.12

2 HOLD CHOKE VALVE TOWARD THE CLOSED POSITION, THEN MEASURE BETWEEN UPPER EDGE OF CHOKE VALVE AND INNER AIR HORN CASTING. (SEE DATA TABLE FOR MEASUREMENT)

3 BEND TANG TO ADJUST

CHOKE UNLOADER ADJUSTMENT Fig.13

NOTE:
IDLE COMPENSATOR VALVE MOUNTED INSIDE OR OUTSIDE MUST BE CLOSED WHEN IDLE IS ADJUSTED

ENGINE AT OPERATING TEMP. AND CHOKE WIDE OPEN. ADJUST IDLE MIXTURE NEEDLES TO SMOOTH IDLE. ADJUST IDLE STOP SCREW (ABOVE) OR ADJUST BY-PASS SCREW (BELOW) FOR PROPER IDLE R.P.M. (SEE DATA TABLE)

IDLE STOP SCREW (R.P.M. ADJ.)

IDLE MIXTURE NEEDLES

IDLE MIXTURE NEEDLES

IDLE BY-PASS AIR SCREW (R.P.M. ADJ.)

FAST IDLE SCREW

IDLE ADJUSTMENT Fig.14

2 WITH ENGINE OFF AND SCREW STILL ON HIGH STEP, ADJUST THE SET SCREW TO .050 CLEARANCE BETWEEN THE SCREW HEAD AND THROTTLE LEVER. 1961-63 OLDS. F-85 .020

1 PLACE FAST IDLE SCREW ON HIGH STEP OF CAM AND SET FAST IDLE R.P.M. SHUT ENG. OFF

CAUTION:
WHEN TURNING ADJUSTING SCREW, HOLD PLUNGER WITH WRENCH TO PREVENT DAMAGE TO DIAPHRAGM

(DASHPOT)

THROTTLE RETURN CHECK ADJUSTMENT Fig.15

3 X 2 TRI-CARB SET UP - ON CAR ADJUSTMENTS

1 THROTTLE VALVES OPEN SLIGHTLY ON FRONT OR REAR CARBURETORS.

2 CHOKE HELD OPEN

3 MEASURE BETWEEN THROTTLE LEVER TANG AND LOCKOUT LEVER

4 BEND ROD TO ADJUST

SECONDARY LOCKOUT LEVER ADJUSTMENT FRONT OR REAR MOUNTED LEVER Fig.16

1 THROTTLE VALVES CLOSED ON FRONT OR REAR CARBS.

2 CHOKE HELD CLOSED

3 MEASURE BETWEEN LOCKOUT LEVER AND THROTTLE LEVER

4 BEND TANG TO ADJUST

SECONDARY LOCKOUT LEVER CONTOUR ADJ. FRONT OR REAR MOUNTED LEVER Fig.17

1 THROTTLE VALVES SEATED IN FRONT AND REAR CARBS.

2 CENTER THE CONNECTOR ROD IN SLOT

3 BEND ROD TO ADJUST

THROTTLE LINKAGE ADJUSTMENT FRONT TO REAR CARBURETORS Fig.18

1 THROTTLE VALVES CLOSED

2 DIAPHRAGM ARM FULLY EXTENDED

3 LINK SHOULD FIT FREELY IN HOLE

4 BEND ROD TO ADJUST

VACUUM DIAPHRAGM LINK ADJUSTMENT Fig.19

3 X 2 VACUUM SWITCH - ON CAR ADJUSTMENTS

1 THROTTLE CLOSED, SLIDING SWITCH POST A HELD UP. MOVE SWITCH UNTIL SWITCH POST JUST TOUCHES INSIDE EDGE OF TANG B.

2 TIGHTEN MOUNTING SCREWS

A

B

1958-60 CADILLAC Fig.20

2 MEASURE FROM TOP OF SLIDING POST TO TOP OF SWITCH CASTING

3 BEND TANG TO ADJUST (CADILLAC)

4 LOOSEN SWITCH AND MOVE UP OR DOWN (OLDS & PONTIAC)

1 THROTTLE HELD WIDE OPEN

1958-60 CADILLAC	1 5/32"
1958 OLDSMOBILE	1 1/8"
1966 OLDSMOBILE	1 3/32"
1959 PONTIAC	1 5/32"
1960-66 PONTIAC	1 3/32"

Fig.21

2 SLIDING SWITCH POST HELD IN UP POSITION

3 LOOSEN SWITCH TO OBTAIN 1/32" CLEARANCE BETWEEN SLIDING POST AND ARM

1 THROTTLE VALVES CLOSED

1958-61 CHEVROLET
1957 OLDSMOBILE
1957-58 PONTIAC

Fig.22

