

SERVICE INSTRUCTIONS

ROCHESTER CARBURETOR MODEL - 2G-2GC-2GV

DISASSEMBLY

Use the numerical sequence of the exploded view in most instances, as a guide to disassemble the carburetor far enough to permit the installation of the kit contents, inspection, and cleaning of carburetor. Variation in shapes, omission and addition of some parts will occur between models in this group. Compare the old and new gaskets for the proper usage. If power piston (30) has free movement do not remove. If removal is required remove staking from bowl cover. **NOTE:** If idler limiter caps (46) are removed, refer to car manufacturer's service manual or decal in engine compartment for the engine idle speed and mixture adjustment procedure.

CLEANING

Clean all parts thoroughly in an approved carburetor cleaner. Special Attention should be given to carbon deposits in throttle bores and passages. Rinse parts in a suitable solvent. Blow out all passages with compressed air. **CAUTION:** Do not immerse leather, diaphragm assemblies, plastic, rubber, or any electrical solenoids in carburetor cleaner.

REASSEMBLY

Reverse the numerical sequence of exploded view to reassemble carburetor. **NOTE:** The following special instructions.

1. Make sure pump discharge guide (38) is flush with the casting when installed.
2. When installing cluster gasket (37). Make sure all holes are properly aligned with holes in venturi cluster.
3. If the complete plunger assembly (26A) is packaged in kit, install in carburetor as is. If the plunger assembly (26) is packaged in kit, proceed as follows: Remove the original retainer (23) washer (24) if used, and upper plunger spring (25) from the old plunger. Discard retainer (23) washer (24) and the old plunger. Install the original upper plunger spring (25) that was removed from the old plunger new washer (24) and new retainer (23) on new plunger packaged in kit. If the plunger cup (27) only is packaged in kit, proceed as follows: Remove the original cup spring (28) if used, and rubber cup (27) from bottom of old plunger assembly. Install new rubber cup (27) and original cup spring (28) if used, on old plunger.
4. If power piston (30) has been removed, lightly stake casting around washer.
5. Install the pull clip on the new needle (if packaged in envelope).
6. When adjusting the float, never allow needle to be pressed into seat.

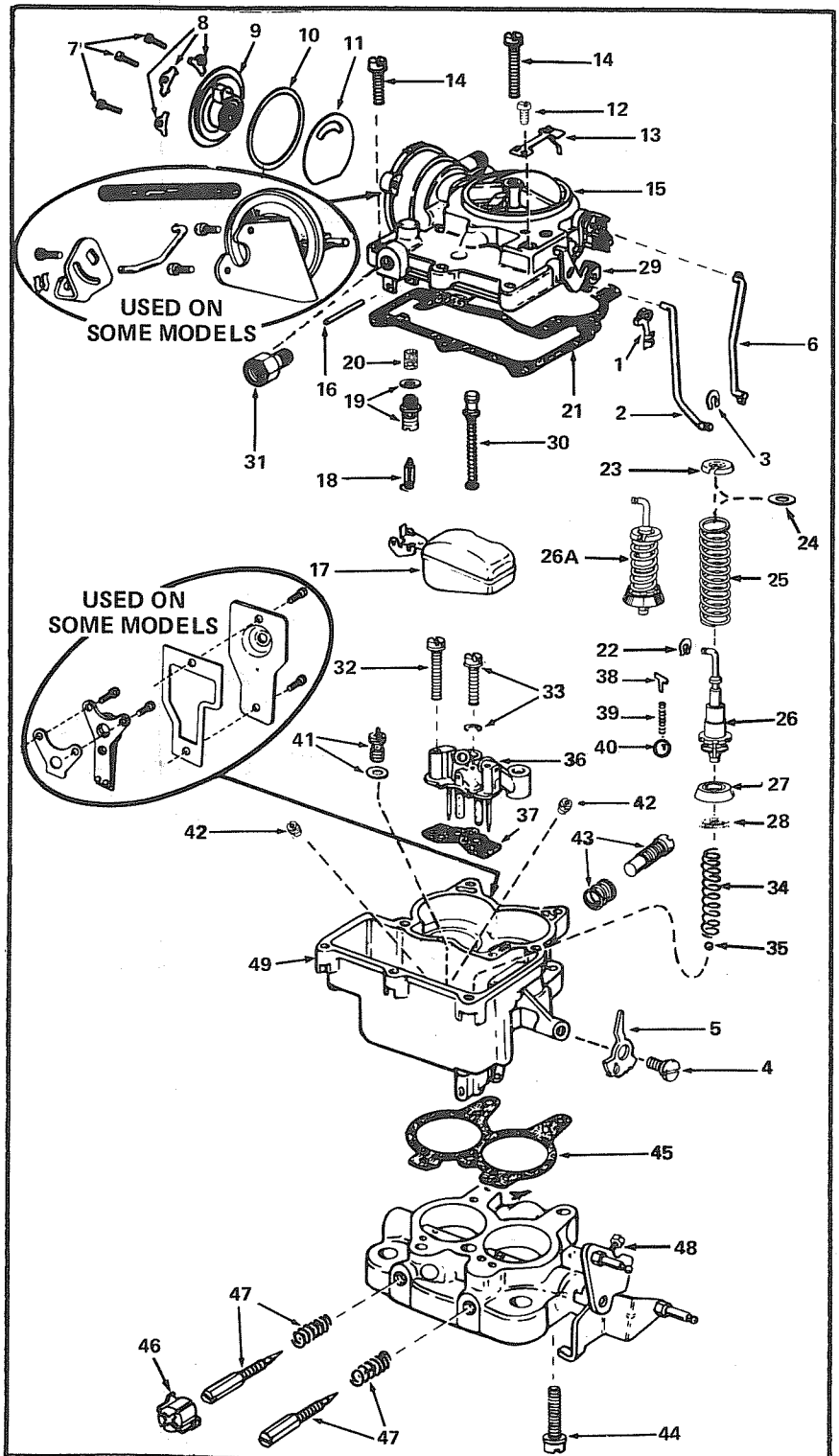
IDLE ADJUSTMENT (See Exploded View)

1. Turn mixture screws (47) clockwise to seat lightly, then back out approximately 2 to 4 turns.
2. If idle air speed screw (43) is used turn clock wise to seat lightly then back out 2 turns. If conventional speed screw (48) is used turn this screw in until it just touches the low step on fast idle cam, or on some models until the screw just touches the stop on casting, then turn in one full turn for the initial setting.
3. Start engine and allow it to reach normal operating temperature.
4. With the aid of a tachometer, readjust the idle mixture screws to obtain the highest R.P.M. with Auto. Trans. in DRIVE, and the hot idle compensator valve held closed if used.
5. Readjust the idle speed screw (48) or idle air screw (43) to obtain the idle speed R.P.M. as listed in Data Chart.
6. Refer to tune up decal in engine compartment for the proper idle speed and mixture adjustment for 1968 and later models.

NOMENCLATURE

- | | | | | |
|-----------------------------------|-------------------------------------|--------------------------------|--------------------------------------|---------------------------------------|
| 1. Pump rod retainer | 12. Idle vent valve attaching screw | 23. Pump plunger assembly | 32. Venturi cluster screw | 41. Power valve and gasket |
| 2. Pump rod | 13. Idle vent valve | 24. Spring washer (if used) | 33. Venturi cluster screw - long (2) | 42. Main metering jets (2) |
| 3. Pump rod retainer (lower) | 14. Air horn screws | 25. Plunger upper spring | 34. Pump lower spring (if used) | 43. Idle air adjustment screw |
| 4. Fast idle cam screw | 15. Air horn | 26. Plunger assembly | 35. Pump intake ball (if used) | 44. Throttle body attaching screw (3) |
| 5. Fast idle cam | 16. Float pin | 26A. Complete plunger assembly | 36. Venturi cluster | 45. Throttle body gasket |
| 6. Choke rod | 17. Float assembly | 27. Plunger cup | 37. Venturi cluster gasket | 46. Idle limiter cap (2) |
| 7. Stat cover retainer screws (3) | 18. Fuel inlet needle and clip | 28. Plunger cup spring | 38. Pump discharge guide | 47. Idle mixture screw and spring (2) |
| 8. Stat cover retainers (3) | 19. Needle seat and gasket | 29. Pump lever | 39. Guide spring | 48. Throttle speed screw |
| 9. Stat cover assembly | 20. Needle seat strainer | 30. Power piston | 40. Pump discharge ball | 49. Main body casting |
| 10. Stat cover gasket | 21. Air horn gasket | 31. Fuel inlet fitting | | |
| 11. Baffle plate | 22. Pump plunger retainer | | | |

Printed in U.S.A.



Revised March 1976, Form PSO70E, 4 Pages

ADJUSTMENTS

FIG. 1 FLOAT LEVEL

Measure distance from gasket to seam of float, as listed in chart. Bend float arm to adjust.

FIG. 2 FLOAT LEVEL

Measure distance from gasket to top of float, as listed in chart. Bend float arm to adjust.

FIG. 3 FLOAT LEVEL

Measure distance from gasket to lip of float, as listed in chart. Bend float arm to adjust.

FIG. 4 FLOAT DROP

Measure distance from gasket to lip of float, as listed in chart. Bend float stop tab to adjust.

FIG. 5 FLOAT DROP

Bend tang to adjust. Measure distance from gasket to bottom of float, as listed in chart.

FIG. 6 PUMP ROD

- Throttle valves seated
- Bend here to adjust
- Measure the distance from top of air horn ring to top of pump rod, as listed in chart.

FIG. 7 IDLE VENT

- With throttle valves completely closed and choke valve wide open.
- Measure the clearance, as listed in Chart between vent valve and its seat at smallest opening.
- Bend tang to adjust.

FIG. 8 VACUUM BREAK (EARLY TYPE)

- Bottom diaphragm using outside vacuum source.
- Rod at end of slot.
- Bend here.
- Move choke valve toward closed position. The clearance between upper edge of choke valve and air horn as listed in chart.

FIG. 9 VACUUM BREAK (LATE TYPE)

- Place idle screw on highest step of fast idle cam.
- Seat diaphragm by using outside vacuum source.
- Close choke valve until spring loaded plunger stem is fully extended. Use care and do not pull plunger off of seat when compressing spring.
- Rod in bottom of slot.
- Bend rod to adjust.
- The clearance between upper edge of choke valve and wall of air horn as listed in chart.

FIG. 10 VACUUM BREAK

1969-74 OLDS
1974 PONTIAC

- Bottom diaphragm plunger, using outside vacuum source.
- Rod in end of slot.
- Bend "U" rod to adjust.
- Move choke valve toward closed position. The clearance between upper edge of choke valve and inner wall of air horn, as listed in chart.
- Hold fast idle screw on the highest step of fast idle cam.

FIG. 11 AUX-VACUUM BREAK 1970-74 BUICK

NOTE: If the diaphragm is equipped with a purge filter. Remove rubber cover and plug bleed hole with tape while adjusting. Remove tape and install cover.

- Bottom diaphragm plunger, using outside vacuum source.
- Move choke valve toward closed position until spring loaded plunger stem is fully extended with diaphragm held in the bottomed position.
- The clearance between upper edge of choke valve and air horn, as listed in chart.
- To adjust bend link.

FIG. 12 CHOKE ROD

- Turn screw in until it just touches the low step of fast idle cam, then turn in 1 1/2 more turns. Then place screw on second step of cam.
- Move choke valve toward the closed position. The clearance between upper edge of choke valve and wall of air horn, as listed in chart.
- Bend tang to adjust.

FIG. 13 CHOKE ROD

1969-74 OLDS
1974 PONTIAC

- Position fast idle screw on second highest step of cam.
- Move choke valve toward closed position. The clearance between upper edge of choke valve and wall of air horn, as listed in chart.
- Bend rod to adjust.

FIG. 14 UNLOADER

- Hold throttle wide open.
- Adjust by bending tang.
- Move choke valve toward closed position. The clearance between upper edge of choke valve and inner wall of air horn as listed in chart.

FIG. 15 UNLOADER

1969-74 OLDS
1974 PONTIAC

- Hold throttle valves wide open.
- Move choke valve toward closed position. The clearance between upper edge of choke valve and air horn wall as listed in chart.
- Bend tang to adjust.

Refer to IDLE ADJUSTMENT procedure on page 1 prior to 1969, 1969 and later refer to DECAL in engine compartment.