

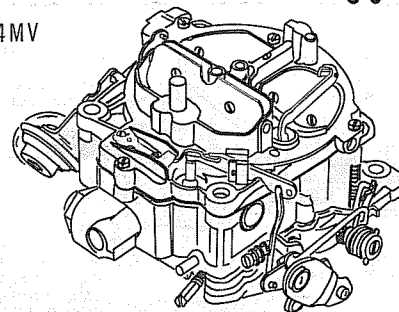
# INSTRUCTION SHEET

## ROCHESTER CARBURETOR—MODELS 4MC-4MV

50-360-2

### GENERAL EXPLODED VIEW

THE GENERAL DESIGN AND PARTS SHOWN WILL VARY TO INDIVIDUAL UNITS COVERED ON THIS INSTRUCTION SHEET



### DISASSEMBLY

USE EXPLODED VIEW AS A GUIDE. THE NUMERICAL SEQUENCE MAY GENERALLY BE FOLLOWED TO DISASSEMBLE UNIT FAR ENOUGH TO PERMIT CLEANING AND INSPECTION. NOTE: REMOVING BOWL COVER (16) (GASKET (21) STAYS ON BOWL) LIFTING STRAIGHT UP BEING CAREFUL NOT TO BEND AIR BLEED TUBES WHICH ARE PERMANENTLY INSTALLED IN BOWL COVER. AIR VALVES, AIR VALVE SHAFT AND SECONDARY METERING ROD HANGER ARE CALIBRATED AND SHOULD NOT BE REMOVED. REMOVING POWER PISTON (22) AND METERING RODS (23) PULL STRAIGHT UP ON METERING ROD HANGER. A SLIGHT RESISTANCE WILL BE FELT. POWER PISTON (22) HAS A HOLDING CLIP TO KEEP ASSEMBLY IN PLACE FOR EASIER ASSEMBLY. INLET NEEDLE SEAT USED WITH NO. 31 NEEDLE AND ALL SECONDARY METERING DISCS ARE FACTORY STAKED AND SHOULD NOT BE REMOVED.

### NOMENCLATURE

REF. NO.	REF. NO.
1. FILTER NUT - FUEL INLET	33. BALL - PUMP DISCHARGE
2. GASKET - FILTER NUT	34. JETS - PRIMARY (2)
3. GASKET - FUEL FILTER	35. SCREW - IDLE COMPENSATOR COVER (2)
4. FILTER - FUEL INLET	36. COVER - IDLE COMPENSATOR
5. SPRING - FUEL FILTER	37. IDLE COMPENSATOR ASSY.
6. SCREW - IDLE VENT VALVE	38. GASKET-IDLE COMPENSATOR
7. VALVE - IDLE VENT	39. SCREW - THROTTLE BODY (3)
8. RETAINER - PUMP ROD	40. THROTTLE BODY ASSY.
9. ROD - PUMP	41. NEEDLES - IDLE ADJ. (2)
10. LEVER - IDLE VENT VALVE	42. SPRINGS - IDLE ADJ. NEEDLE (2)
11. RETAINER - CHOKE ROD	43. GASKET - THROTTLE BODY
12. ROD - CHOKE	44. HOSE - VACUUM 4MV
13. SCREW - AIR HORN (4)	45. SCREW - VACUUM BREAK CONTROL BRACKET ATTACHING
14. SCREW - AIR HORN (3)	46. VACUUM BREAK CONTROL & BRACKET ASSY. 4MV
15. SCREW - AIR HORN (2)	47. CAM - FAST IDLE
16. BOWL COVER ASSY.	48. LEVER - SEC. LOCKOUT 4MV
17. DASHPOT PISTON & ROD ASSY. 1965-66	49. LEVER - INTERMEDIATE CHOKE
18. METERING RODS - SEC. (2)	50. SCREW - STAT RETAINER (3) 4MC
19. PUMP ASSY.	51. RETAINERS - STAT COVER (3) 4MC
20. SPRING - PUMP RETURN	52. STAT COVER & SPRING ASSY. 4MC
21. GASKET - AIR HORN	53. GASKET - STAT COVER 4MC
22. POWER PISTON ASSY. - PRI.	54. PLATE - CHOKE BAFFLE 4MC
23. METERING RODS - PRI. (2)	55. SCREW - STAT HOUSING ATT.
24. SPRING - POWER PISTON	56. HOUSING - CHOKE & VACUUM BREAK ASSY. 4MC
25. INSERT - FLOAT BOWL	57. GASKET - CHOKE HOUSING 4MC
26. HINGE PIN - FLOAT	58. BOWL ASSY. - FLOAT
27. FLOAT & LEVER ASSY.	
28. PULL CLIP - FLOAT NEEDLE	
29. SCREW - NEEDLE DIAPHRAGM RETAINER (2)	
30. RETAINER - NEEDLE DIAPH.	
31. NEEDLE & DIAPHRAGM ASSY.	
31A. NEEDLE, SEAT, GASKET ASSY.	
32. PLUG - PUMP DISC. BALL	

### CLEANING

CLEANING MUST BE DONE WITH CARBURETOR DISASSEMBLED. SOAK PARTS LONG ENOUGH TO SOFTEN AND REMOVE ALL FOREIGN MATERIAL. USE (1) A CARBURETOR CLEANING SOLVENT, (2) LACQUER THINNER OR (3) DENATURED ALCOHOL. MAKE CERTAIN THE THROTTLE BORES ARE FREE OF ALL CARBON DEPOSITS. RINSE OFF IN SUITABLE SOLVENT. BLOW OUT ALL PASSAGES IN CASTINGS WITH COMPRESSED AIR AND CHECK CAREFULLY TO INSURE THOROUGH CLEANING OF OBSCURE AREAS. CAUTION: DO NOT SOAK RUBBER OR PLASTIC PARTS IN SOLVENT. (FLOAT (27) VAC BREAK UNITS (46) (56) DASHPOT PISTON (17) PUMPS (19) BOWL VENT (7).)

### REASSEMBLY

REASSEMBLE IN REVERSE ORDER OF DISASSEMBLY. NOTE SPECIAL INSTRUCTIONS AND FOLLOW NUMERICAL OUTLINE IN MAKING ADJUSTMENTS. SEE OTHER SIDE.

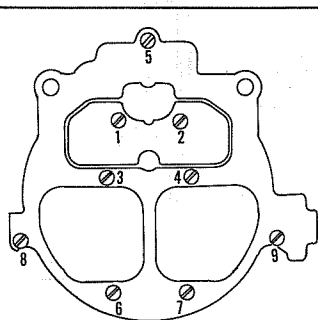
### SPECIAL INSTRUCTIONS

VACUUM BREAK CONTROL AND BRACKET ASSY. (46) OR VAC. UNIT (56) INSTALLATION. BE SURE FAST IDLE CAM (47), SECONDARY LOCKOUT LEVER (48) WHEN USED, AND GASKET (57) WHEN USED, AND INTERMEDIATE CHOKE LEVER (49) ARE IN PROPER PLACE BEFORE TIGHTENING SCREW (45) OR (55).

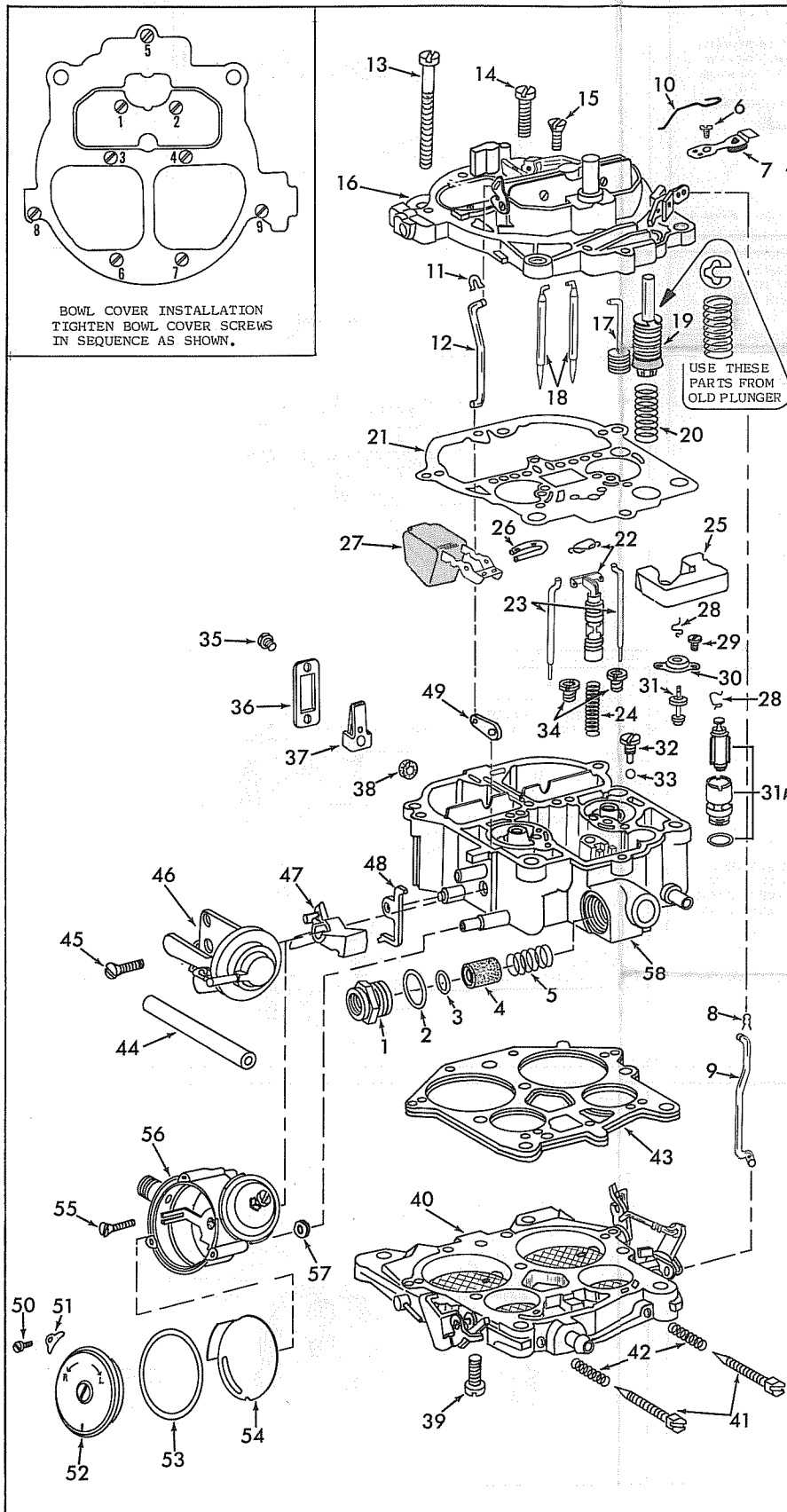
IDLE ADJUSTING NEEDLES (41). TURN EACH NEEDLE IN TO SEAT LIGHTLY AND THEN BACK OUT 3-4 TURNS.

POWER PISTON AND METERING ROD INSTALLATION. BE CAREFUL TO PROPERLY POSITION METERING RODS IN METERING JETS. PRESS FIRMLY DOWN ON POWER PISTON TO INSURE EITHER ENGAGEMENT OF RETAINING PIN IN THROTTLE BODY GASKET OR PROPER POSITIONING OF SPRING CLIP USED ON PISTONS IN SOME MODELS.

BOWL COVER INSTALLATION. CAREFULLY POSITION SECONDARY METERING RODS AND VENT TUBES THROUGH AIR HORN GASKET. (DO NOT FORCE.) POSSIBLE DAMAGE TO SECONDARY METERING DISC, USE SLIGHT SIDWARD MOVEMENT TO CENTER RODS IN JETS.



BOWL COVER INSTALLATION  
TIGHTEN BOWL COVER SCREWS  
IN SEQUENCE AS SHOWN.



# ADJUSTMENTS

② PRESS DOWN GENTLY ON FLOAT TANG UNTIL SEATED ON NEEDLE.

① HOLD FLOAT HINGE PIN FIRMLY IN PLACE.

④ TO ADJUST BEND FLOAT UP OR DOWN.

③ BOWL COVER GASKET REMOVED. MEASURE FROM TOP OF CASTING TO TOP OF FLOAT 3/16" IN FROM TOE OF FLOAT. (SEE DATA TABLE FOR MEASUREMENT)

CAUTION  
DO NOT EXERT PRESSURE ON RESILIENT NEEDLE VALVE.

FLOAT LEVEL ADJUSTMENT

Fig. 1

③ MEASURE FROM TOP OF CHOKE VALVE WALL TO TOP OF PUMP STEM. (SEE DATA TABLE FOR MEASUREMENT)

① INSTALL PUMP ROD IN PROPER HOLE (SEE DATA TABLE)

INNER  
OUTER

④ TO ADJUST SUPPORT PUMP LEVER ON PUMP END AND BEND LEVER ON PUMP ROD SIDE.

② BACK OUT THROTTLE STOP SCREW. THROTTLE VALVES HELD CLOSED.

PUMP ROD ADJUSTMENT

Fig. 2

② MEASURE FROM TOP OF CHOKE VALVE WALL TO TOP OF PUMP STEM. (SEE DATA TABLE FOR MEASUREMENT)

① OPEN THROTTLE TO A POINT WHERE IDLE VENT VALVE JUST SEATS.

①A THERMOSTATIC TYPE HOLD VENT VALVE CLOSED. OPEN THROTTLE UNTIL VENT VALVE ARM JUST CONTACTS THE BIMETAL STRIP, NEXT TO THE VENT VALVE.

③ TO ADJUST BEND IDLE VENT VALVE LEVER TANG.

IDLE VENT ADJUSTMENT

Fig. 3

1966 BUICK	1 3/16"
1965 CHEVROLET	1 1/16"
1966 CHEVROLET 327" ENG.	1 1/8"
396"-427" ENG.	1 1/4"
1966 OLDSMOBILE	1 1/8"
1966 TEMPEST	1 1/8"

① HOLD AIR VALVE WIDE OPEN AGAINST STOP TANG.

③ TO ADJUST BEND TANG ON DASHPOT PISTON LEVER.

② MEASURE DISTANCE BETWEEN BACK OF CHOKE VALVE WALL AND UPPER INSIDE EDGE OF AIR VALVE.

AIR VALVE ADJUSTMENT

Fig. 4

① BACK OUT FAST IDLE SCREW. (THROTTLE VALVES COMPLETELY CLOSED). CAM FOLLOWER POSITIONED ON HIGH STEP OF FAST IDLE CAM.

② TURN FAST IDLE SCREW IN UNTIL IT CONTACTS STOP ON CAM FOLLOWER LEVER. TURN IN 3 ADDITIONAL TURNS.

FAST IDLE SETTING (OFF ENGINE)

Fig. 5

③ MEASURE BETWEEN LOWER EDGE OF CHOKE VALVE AND AIR HORN WALL. (SEE DATA TABLE FOR MEASUREMENT)

② PRESS DOWNWARD ON (VACUUM BREAK LEVER 4MV) OR (STAT COIL LEVER TANG 4MC) MOVING CHOKE TOWARD CLOSED POSITION UNTIL STOP IS MADE.

① PLACE CAM FOLLOWER ON SECOND STEP OF FAST IDLE CAM NEXT TO HIGH STEP.

④ TO ADJUST BEND CHOKE ROD.

CHOKE ROD ADJUSTMENT

Fig. 6

③ TO ADJUST BEND ROD.

② INSERT .120 GAUGE IN HOLE. LOWER EDGE OF LEVER SHOULD JUST TOUCH GAUGE.

① PUSH UP ON CHOKE COIL LEVER UNTIL CHOKE VALVE IS CLOSED.

1970 OLDSMOBILE CHOKE COIL LEVER ADJUSTMENT

Fig. 7

③ MEASURE BETWEEN LOWER EDGE OF CHOKE VALVE AND AIR HORN WALL. (SEE DATA TABLE FOR MEASUREMENT)

① PLACE CAM FOLLOWER ON SECOND STEP OF FAST IDLE CAM NEXT TO HIGH STEP.

② PUSH UPWARD ON CHOKE COIL LEVER, MOVING CHOKE TOWARD CLOSED POSITION UNTIL STOP IS MADE.

④ TO ADJUST BEND TANG.

1970 OLDSMOBILE FAST IDLE CAM ADJUSTMENT

Fig. 8

