

# SERVICE INSTRUCTIONS

# ROCHESTER CARBURETOR LATE MODEL 2G-2GC-2GV

## DISASSEMBLY

The numerical sequence of the exploded view may be used in most instances as a guide to disassemble the carburetor far enough to permit cleaning, inspection, and installation of kit contents. Variation in design, omission and addition of parts may occur between models in this group. **NOTE:** If power piston (26) has free movement, do not remove. If removal is required, remove staking from bowl cover. If the idle limiter caps (50) must be removed to qualify the idle, position the limiter caps to the stop. Remove caps from idle air mixture screws carefully to avoid damaging screws. Before removal of idle adjustment screws be sure and count the number of turns to seat the screws as the same number of turns from the seat should be maintained during the reassembly of carburetor.

## CLEANING

Clean parts thoroughly in an approved cleaning solvent. Special attention should be given to carbon deposits in throttle bores and passages. Rinse parts in a suitable solvent. Blow out all passages with compressed air. **CAUTION: DO NOT SOAK LEATHER, RUBBER, DIAPHRAGM ASSEMBLIES OR SIMILAR MATERIAL IN THE CLEANING SOLVENT.**

## REASSEMBLY

1. If the idle limiter caps and mixture screws were removed during disassembly, the mixture screws should be seated lightly then backed out the same number of turns established during disassembly for initial idle mixture adjustment. For final adjustment, see decal in engine compartment. For 1978 and later, an idle mixture adjustment procedure, requiring artificial enrichment by addition of propane, is necessary for checking and setting idle mixture. Specifications for this procedure may be found in each car division service manual.

2. Make sure the pump discharge guide (39) is flush with casting when installed.

3. If power piston was removed, lightly stake casting around washer.

4. When installing venturi cluster gasket (37), make sure all holes are properly aligned with holes in venturi cluster.

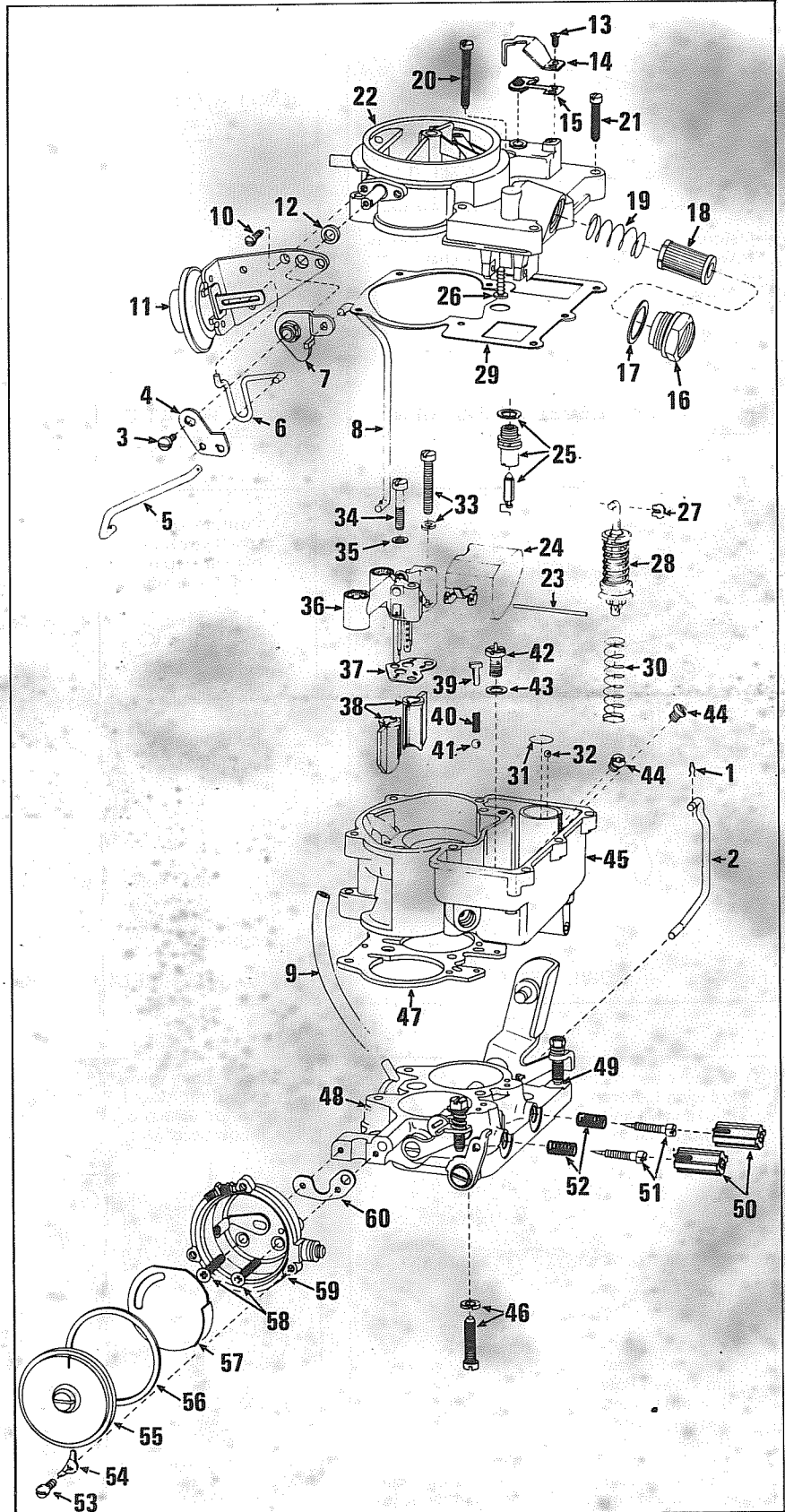
5. Lubricate cup on end of plunger assembly (28) with engine oil before installing.

6. Refer to Adjustment Data Chart for specifications.

7. On completion of all adjustments, be sure throttle valves move freely from wide open to closed position.

## NOMENCLATURE

- |   |   |
|---|---|
| 1. Pump rod retainer                    | 33. Venturi cluster screw and washer (long-2) |
| 2. Pump rod                             | 34. Center venturi screw                      |
| 3. Choke lever screw                    | 35. Center venturi screw gasket               |
| 4. Choke lever                          | 36. Venturi cluster                           |
| 5. Intermediate choke rod               | 37. Venturi cluster gasket                    |
| 6. Choke pull-off rod                   | 38. Main well tubes (if used)                 |
| 7. Choke lever assembly                 | 39. Pump disc guide                           |
| 8. Choke rod                            | 40. Guide spring                              |
| 9. Hose                                 | 41. Pump disc check ball (large)              |
| 10. Choke pull-off attaching screw (2)  | 42. Power valve                               |
| 11. Choke pull-off and bracket assembly | 43. Power valve gasket                        |
| 12. Choke shaft seal (if used)          | 44. Main metering jets                        |
| 13. Vent valve screw                    | 45. Main body                                 |
| 14. Vent valve cover                    | 46. Flange attaching screw and washer (3)     |
| 15. Vent valve                          | 47. Throttle body gasket                      |
| 16. Fuel fitting                        | 48. Throttle body                             |
| 17. Fuel fitting gasket                 | 49. Throttle speed screw                      |
| 18. Filter                              | 50. Limiter caps                              |
| 19. Filter spring                       | 51. Idle mixture screw (2)                    |
| 20. Bowl cover screw (long)             | 52. Idle mixture screw spring (2)             |
| 21. Bowl cover screw (short-7)          | 53. Stat cover retainer screw (3)             |
| 22. Bowl cover                          | 54. Stat cover retainer (3)                   |
| 23. Float pin                           | 55. Stat cover                                |
| 24. Float                               | 56. Stat cover gasket                         |
| 25. Needle, seat assembly & gasket      | 57. Choke baffle plate                        |
| 26. Power Piston                        | 58. Choke housing screw (2)                   |
| 27. Plunger stem retainer               | 59. Choke housing                             |
| 28. Plunger assembly                    | 60. Choke housing gasket                      |
| 29. Bowl cover gasket                   |   |
| 30. Plunger return spring               |   |
| 31. Intake check ball retainer          |   |
| 32. Intake check ball (small)           |   |



# ADJUSTMENTS

