

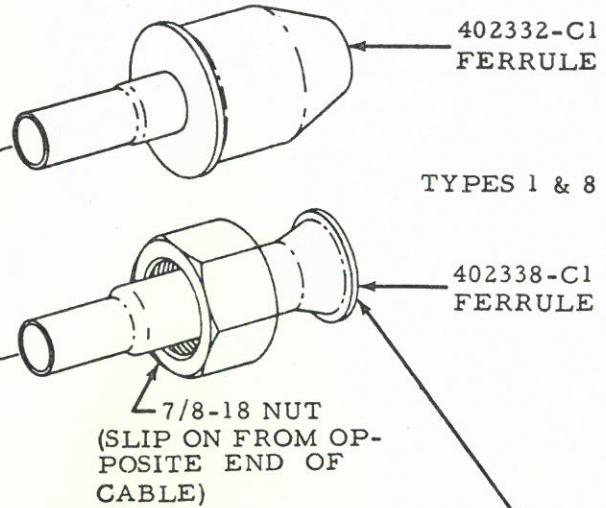
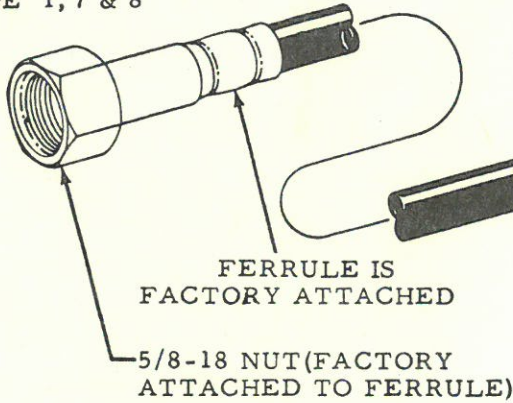
CONDUIT REPLACEMENT KIT

SPEEDOMETER AND TACHOMETER CABLES
FOR: TYPES 1, 7 & 8
(.150 INCH DIAMETER CORES)

385081-C91 (60" LONG)
385082-C91 (110" LONG)

LOWER END TYPE 7

UPPER END
COMMON TO
TYPE 1, 7 & 8



(TYPE 8 ONLY) FLOATING TIP
USE OLD (IF ONE) OR ORDER NEW
FROM IH CATALOG

TYPE	CONDUIT	UPPER END FERRULE	LOWER END FERRULE
TYPE 1		FACTORY ATTACHED TO CONDUIT	402338-C1 NOTE: PLACE 7/8 NUT ON FERRULE BEFORE ATTACHING
TYPE 7		FACTORY ATTACHED TO CONDUIT	402332-C1
TYPE 8		FACTORY ATTACHED TO CONDUIT	402338-C1 NOTE: PLACE 7/8 NUT ON FERRULE BEFORE ATTACHING

TO FABRICATE:

The conduit is formed with a fine steel wire embedded in long lasting plastic material and is readily cut and prepared for use as follows:

1. Check conduit cutting length in IH catalog
2. Using heavy-duty electricians pliers or a fine-tooth hack saw, cut off excess conduit from upper end (opposite factory attached ferrule)
3. Reform the inside diameter of the cut conduit to the original diameter using a small tapered punch
4. Clean up any frayed wire burrs or loose plastic material to prevent binding of the core
5. Select proper conduit ferrule (and ferrule nut if used)
6. Place the ferrule nut on the conduit in the correct direction so that it fits the ferrule flange
7. Screw the ferrule onto the conduit using a vise-grip pliers to turn the ferrule. Avoid pinching or crushing the ferrule. A drop of oil on the ferrule threads will ease the installation.
8. Where necessary a minor adjustment of the finished length can be made by turning the ferrule

Installation: Fabricate the desired core and install as directed on 1086634-R1 Instruction Sheet.

NOTE: When installing the cable, avoid routing the cable in any area that might interfere with travel of clutch, brake, accelerator, or other linkage. Avoid the exhaust system, or any rotating members. For long life and satisfactory performance the factory routing is best. Do not make bends of less than six (6) inches. When tips are properly engaged, the ferrule flange will easily mate squarely when connecting.

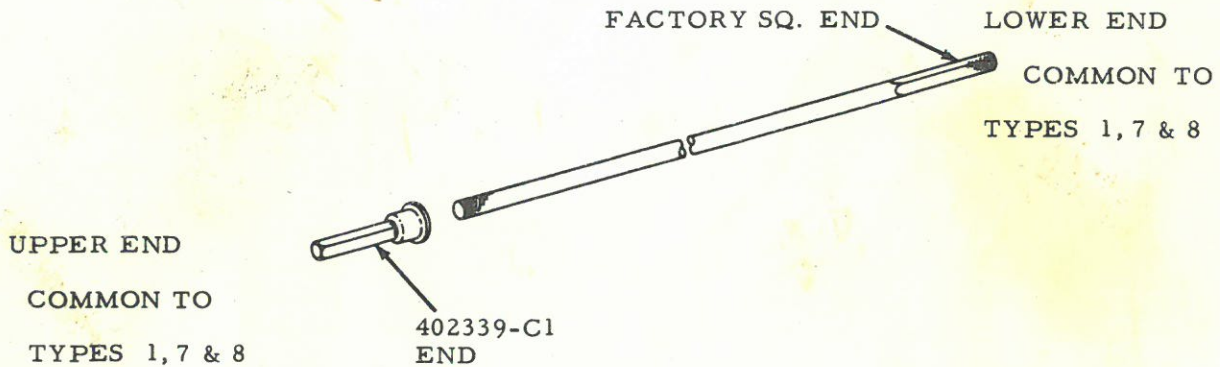
CORE REPLACEMENT KIT

385087-C91 (60" LONG)
385088-C91 (110" LONG)

SPEEDOMETER AND TACHOMETER CORES

FOR: TYPES 1, 7 & 8

(.130 INCH DIAMETER CORE)



TYPE CORE	UPPER CORE END	LOWER CORE END
TYPE 1	402339-C1	RETAIN FACTORY SQ. END
TYPE 7	402339-C1	RETAIN FACTORY SQ. END
TYPE 8	402339-C1	RETAIN FACTORY SQ. END

TO FABRICATE:

- CHECK IH CORE KIT CHART (CORE LENGTH WITHOUT ENDS) FOR CUTTING LENGTH

IF PART NO. IS NOT KNOWN

- MEASURE OLD CORE LENGTH (CORE END TO CORE END) AND SUBTRACT OR ADD AS FOLLOWS:

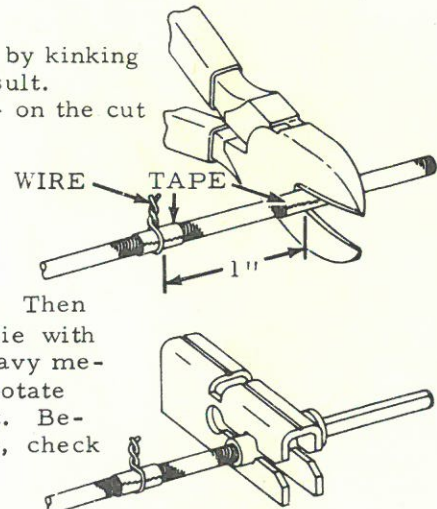
TYPE 1	ADD 1/2 INCH
TYPE 7	ADD 5/16 INCH
TYPE 8	SUBTRACT 7/8 INCH

TO CUT CORE AND STAKE TIP:

The length of the core is important because of core tip extension requirements. The upper end tips (above left) will automatically have the proper extension since they are positioned by a washer pressed into the cable ferrule.

Be Careful -- Speedometer core may be easily damaged by kinking or crushing -- needle waiver or excessive noise is the result. When cutting to length, be sure to tape and wire it tightly - on the cut and 1 inch from the cut - to prevent unravelling.

Place the tip in the staking die and the core in the tip as shown. Then strike the flat upper surface of the die with a hammer. Support the die on a heavy metal surface during this operation. Rotate the core and tip 1/4 turn and repeat. Before removing wire tie, tape and die, check to see that stake is secure.

READ BEFORE INSTALLING FINISHED CORE

Lubricate the complete length of the core with a good quality grease as the core is fed into the instrument end of the cable assembly.