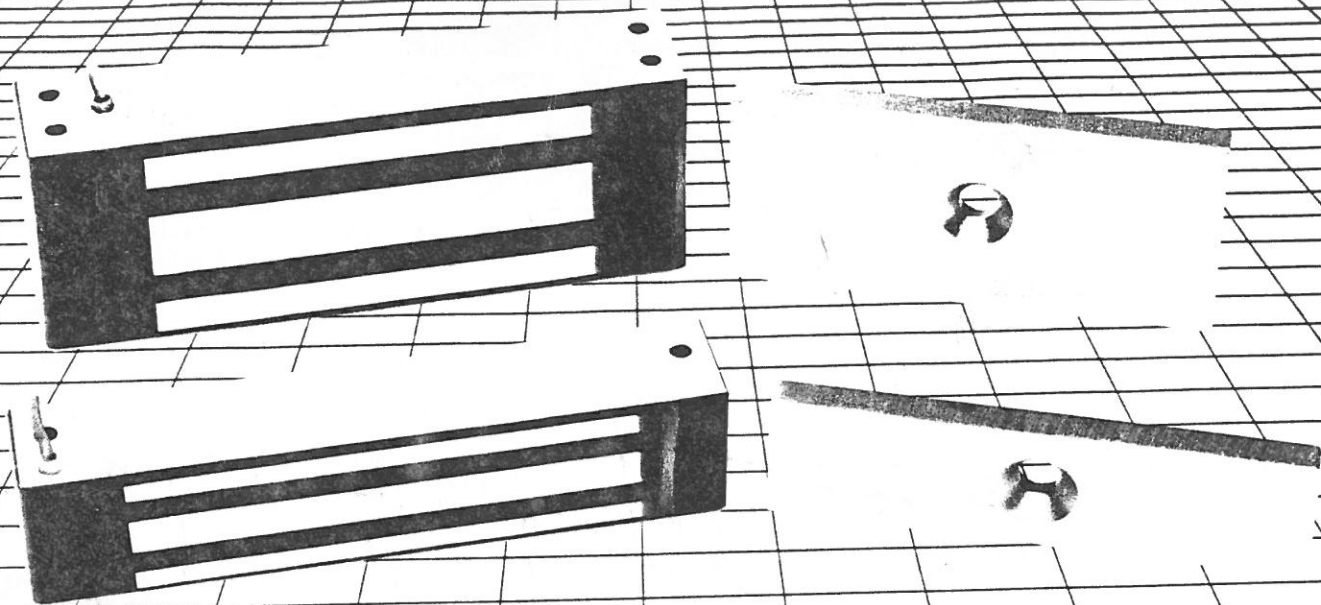


# SECURITRON

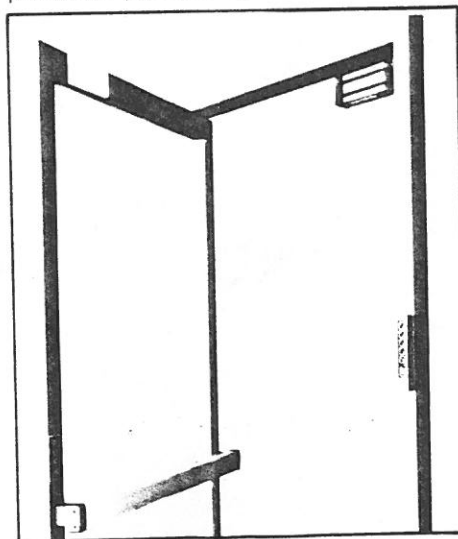


## The Electromagnetic Lock System That Will Outlast Your Building

Magnalocks are designed to secure any type of door or gate that closes against a fixed stop. The product consists of an electromagnet which mounts on the fixed frame and a strike plate which mounts on the moving door or gate. The strike plate is delivered with fasteners that permit it to swivel so that when the door closes, it automatically self aligns with the magnet. Magnetic force then takes over, strongly securing the door. Release is achieved by switching off power to the magnet.

Securitron has been making electromagnetic locks since 1971 and has

stayed at the forefront thanks to a continuing program of engineering improvements. Security industry trade journals covering both dealers and end users have surveyed electromagnetic lock preference starting in 1987 and every year since, the Magnalock has been the most highly preferred product by a wide margin.



Magnalock Model 62 in a conventional mount on an aluminum frame glass door. Shown with Securitron's TSB Ex: Bar and Model DK20+ digital keypad.

We attribute this not only to the product's features but to its proven performance in demanding applications world-wide.

Circle 12 on Reader Service Card

The model 62 series offers high security (1200 lbs.). With this strength, entry typically cannot be forced without the aid of special tools and metal or wood commercial doors will fail before the lock does. It's recommended not only for any high security opening but is also designed for outdoor use on all types of gates. The model 32 series offers a "traffic control" level of security (600 lbs.) similar to electric strikes and is recommended for applications where a physical assault on the door is not anticipated. In these applications, the model 32 brings the advantages of lower cost and more compact size. Finally a wide range of options allows you to select the proper unit to meet electronic and physical mounting considerations.

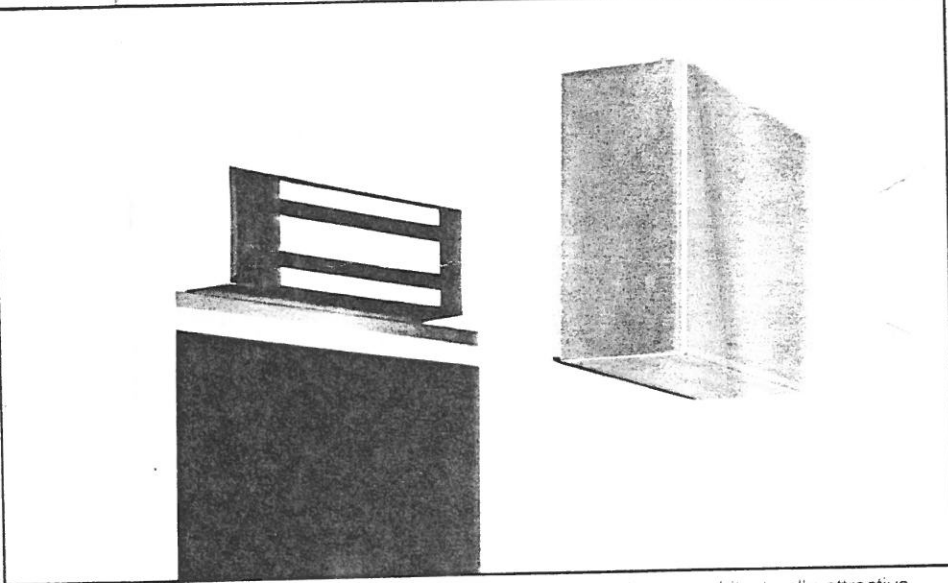
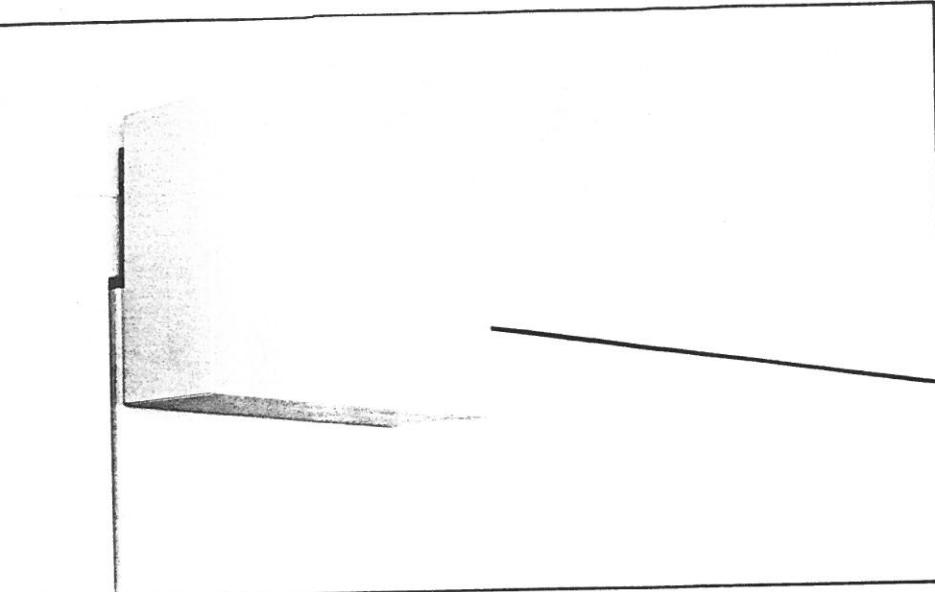
SECURITRON  
SECURITY TECHNOLOGY FOR THE 90'S

## Physical Construction And Mounting

A lock should be tough. The Magnalock comes in a stainless steel case and all ferrous metal surfaces are cadmium plated to military specifications. A 10 ft. integral cable makes wiring easy and the Magnalock is at home indoors or out. Mounting is via hardened machine screws into self collapsing blind nuts (4 screws with the model 62; 2 with the model 32). Mounting screw holes are closed off with tamper caps. No sheet metal screws (which can work free) are used. Even the strike sex bolt is massive (1-1/4" diameter head).

## Electronic Performance

First, Magnalocks are remarkably efficient in power use. The 62 series operates on only 3 watts (250 mA at 12 VDC or 125 mA at 24 VDC). The 32 series uses 3-1/2 watts (300 mA at 12 VDC or 150 mA at 24 VDC). While the benefits of ultra-low power consumption are not too important for single door installations, many jobs call for large numbers of Magnalocks operated from a central power supply which is connected to the fire alarm system. Magnalock efficiency then generates large savings in wire gauge, power supply and battery backup costs. Second, internal electronics eliminate problems that are often found in other designs. We reverse out residual magnetism and accelerate field collapse so that Magnalocks release instantly and fully. Inductive kickback and EMI are suppressed so there's no arcing over control switches or interference with nearby electronic devices. Ferrous metal aging which could lead to stickiness over time is blocked. We've been awarded a U.S. patent on the 62 series internal electronics; the 32 series employs a simpler version.



The Z bracket used on inswinging doors includes a dress cover for an architecturally attractive appearance when the door is closed.

## High Technology Means Performance Your Application

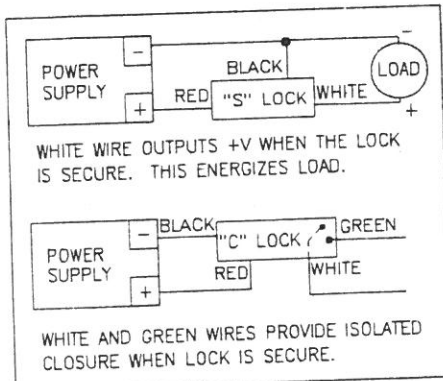
Making an electromagnet is simple but creating the world's best electromagnetic lock calls for serious engineering. During its 20 years of continued development, the Magnalock family has incorporated an array of advanced features (both physical and electronic) that have made it what it is today. Along the way, it has earned two separate U.S. patents.



Installation tool kits are available for volume installers. With a kit, mounting is done more quickly and more accurately.

## Magnalock Options Senstat: A Lock That Monitors Itself

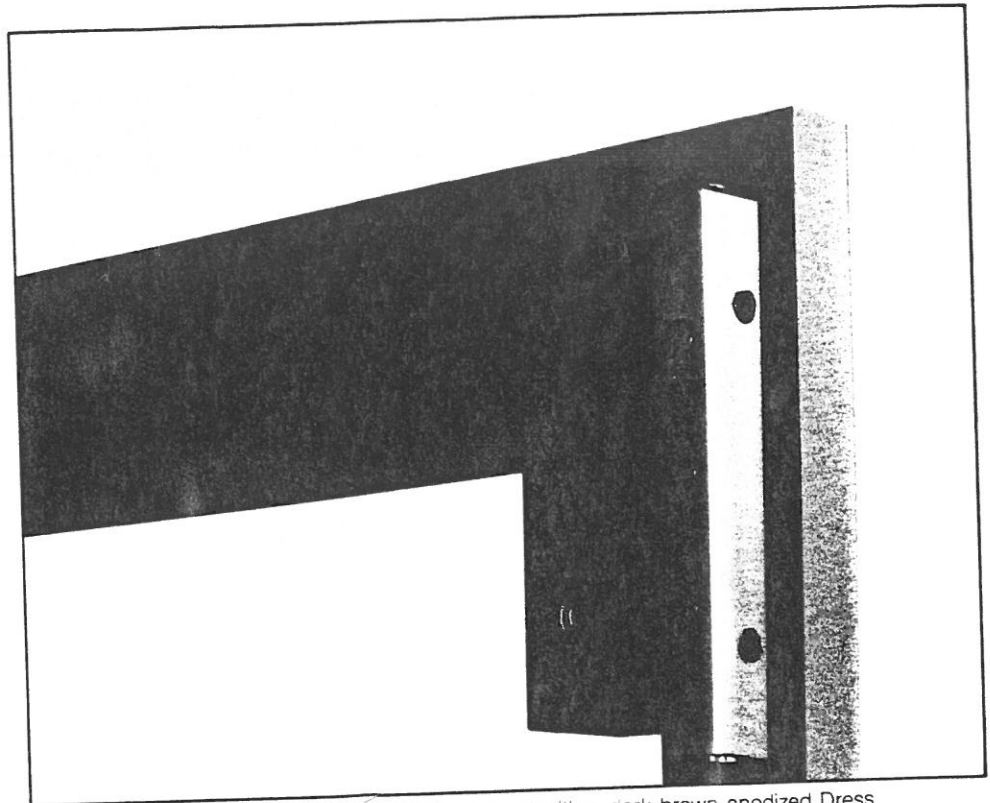
Securitron's patented Senstat option provides a lock status sensing signal which positively indicates that the door is secure. This interfaces with access control or alarm systems and is superior to the commonly used door switch which indicates that the door is closed but not necessarily that it is secure. "S" versions provide a voltage signal on a third wire which is on when the lock is powered and secure. "C" versions provide an isolated contact closure on a 3rd and 4th wire when the magnet is flush against the strike. The "C" version does not directly monitor power to the lock.



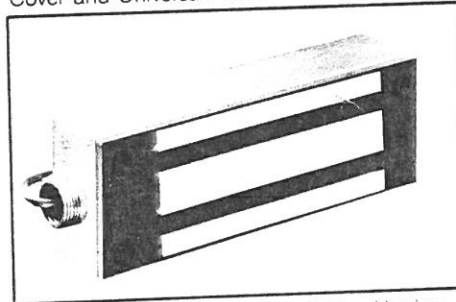
Wiring diagram for Senstat Magnalocks

## Face Mount Version For Inswinging Door Mount

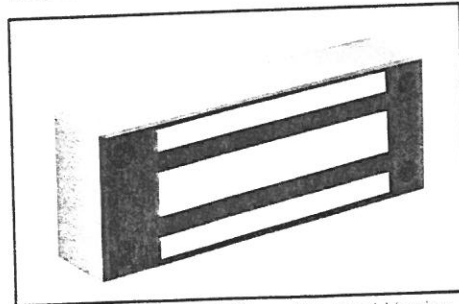
Standard Magnalocks are suspended from the door frame so that the door swings away from the magnet body. This is the preferred mounting method, but if the door swings into the protected area, security considerations may dictate that the lock is mounted on the inswinging side of the door. The "F" option provides for face mounting on the header above the door. Mounting holes are drilled through the magnet face and the wire exit is to the rear. The Z-62 bracket is normally used with "F" Magnalocks.



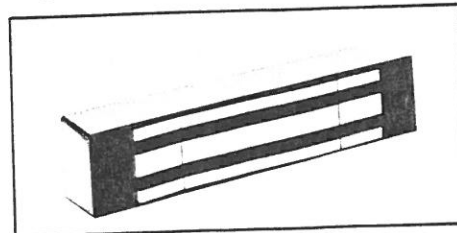
The model 62 Magnalock is shown in vertical mount with a dark brown anodized Dress Cover and Universal Header Bracket on an aluminum frame glass door.



Magnalock Model 62GF Gate Fitting Version.



Magnalock Model 62F Face-Mounted Version.



Magnalock Model 32F Face-Mounted Version.

## Outdoor And Indicator Light Options

The "G" option (available on the 62 series only) adds a 1/2" female-3/4" male universal conduit fitting to allow conduit wiring for outdoor installations. The "G" version is also useful for surface wired installations on concrete filled door frames. This avoids the cost of drilling a wire way in the concrete.

The "L" option (available on the 62 series only) adds a unique indicator package. A threaded lamp socket is furnished on the magnet body (not available on the "F" version). A replaceable 4-chip LED and separate lens mount in the short circuit protected socket to provide exceptionally bright illumination. With standard and "C" Magnalocks the LED color is amber and the LED is on when the lock is powered. "S" versions receive a green indicator which is on when the lock is secure.

# SECURITRON

Magnalocks can be optionally furnished in full length housings (single or double) to provide the ultimate in finished appearance.

## TECHNICAL DATA

### Holding Force:

62 series: 1200 lbs; 545Kg  
32 series: 600 lbs; 273Kg

### Environment:

-40° to 60° C; -40° to 140° F  
Suitable for outdoor use  
(NEMA 4X equivalent)  
All ferrous metal surfaces cadmium plated to Milspec  
Magnet case: brushed stainless steel standard

### Power Required:

62 series: 250 mA at 12 VDC or  
125 mA at 24 VDC  
32 series: 300 mA at 12 VDC or  
150 mA at 24 VDC

Voltage tolerance: -10% +30%,  
unregulated acceptable

### Size:

62 Magnet: 8" X 3" X 1-3/4";  
Strike: 6" X 2-3/4" X 1/2"  
32 Magnet: 8" X 1-3/4" X 1-1/2";  
Strike: 6-1/4" X 1-5/8" X 1/2"

### How To Order

62 - 12; 32 - 12 (12 Volts)  
62 - 24; 32 - 24 (24 Volts)  
Add "F" for face mount version  
(Inswinging door)  
Add "S" for Senstat voltage version  
Add "C" for Senstat contact version  
Add "G" for conduit fitting  
(62 series only)  
Add "L" for indicator light  
(62 series only)  
Add "B" for anodized dark brown  
aluminum case (62 series only)

Patents: U.S. patents granted on Senstat feature and 62 series internal electronics: #4,516,114 & 4,682,801

Approvals: (62 series only)  
Underwriter's Laboratories: SA6635 and S4615  
Underwriter's Laboratories of Canada: CMS140  
TUV (Germany): 46890009 Baumuster: Gepruft  
California State Fire Marshall: 4138-923:100  
NYC Board of Standards and Appeals: 801-80-SA  
City of Cleveland: S-5-89  
US Veteran's Administration: M.P.3 Part III  
US Department of Defense: Listed

## The Benefits of Securing Doors With Magnetic Force Alone

Electromechanical locks have been around much longer but magnetic locks are increasingly dominating the industry. Why? We see four answers: Reliability, Security, Safety and Installation Simplicity.

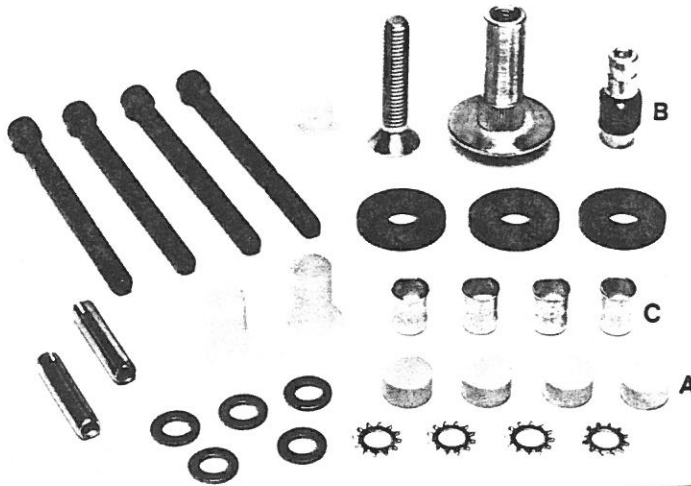
**Reliability.** Anything mechanical wears out. The Magnalock has no moving parts and therefore possesses an unlimited operating life. Not many products perform for decades with no attention but you can get this performance when you select the Magnalock. In addition, the Magnalock is supreme in functional reliability. It releases every time when switched off, as there is nothing to jam. Because of its self aligning strike, it secures every time the door closes. Problems of stiff latches and misaligned bolts simply don't apply.

**Security.** Electromechanical locks and strikes are positioned between the door and frame. They can be successfully attacked with a saw or by spreading the door from the frame with a lever. The Magnalock mounts on the other side of the door from an intruder. The intruder

must defeat the door itself to get at the lock and in saying that, we've defined what lock security really should be.

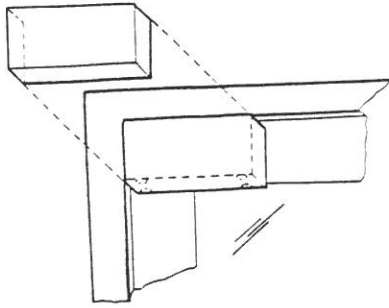
**Safety.** Magnalocks are often employed to secure doors that are also emergency exit paths. In the event of a fire, it is vital for life safety that the doors immediately release to permit evacuation. This is accomplished by routing the low voltage power to the locks through auxiliary contacts operated from the building fire alarm system. When the fire alarm operates, power is out to all the locks. As there is nothing to jam, we've defined what lock safety really should be.

**Installation Simplicity.** The Magnalock surface mounts using nothing more complicated than a drill and allen wrench. There is no routing, mortising or carpentry work needed. It also effortlessly handles all the unusual situations where electromechanical locks and strikes don't work. Narrow style doors, double doors, roll-up doors, solid glass doors, badly fitting doors, swinging or sliding gates of all types. Bring them on.



Magnalocks come with a complete fastener set which includes flush finish tamper caps (A) and a tool (B) for collapsing the blind nuts (C).

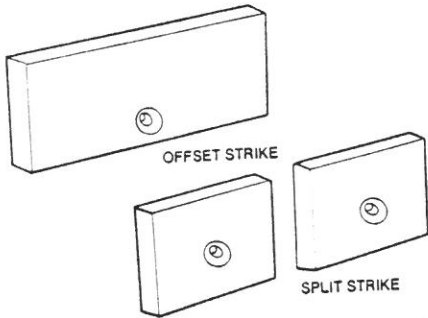
# MAGNALOCK SERIES



Cover Covers are separately available for the 62 and 32 series Magnalock. They install in seconds using structural foam adhesive and perform three functions. The Cover improves the appearance of the installation by concealing the strike and also improves tamper resistance. Finally, the Covers are available in four finishes allowing easy alteration of the Magnalock finish to suit architectural considerations.

1 The part numbers are:

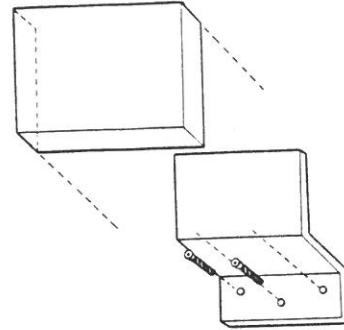
- DC-62/DC-62 (clear anodized aluminum);
- DC-62B/DC-62B (dark brown anodized aluminum);
- DC-62BP/DC-62BP (polished brass);
- DC-62SP/DC-62SP (polished stainless).



Offset and Split Strikes are available for the 62 series only. The offset strike alters by 1/4" the position of the mounting hole which is occasionally necessary for certain narrow aluminum glass doors to avoid the sex bolt hitting the glass. The split strike allows a single 62 series Magnalock to secure a double door at traffic control holding force level.

1 The part numbers are:

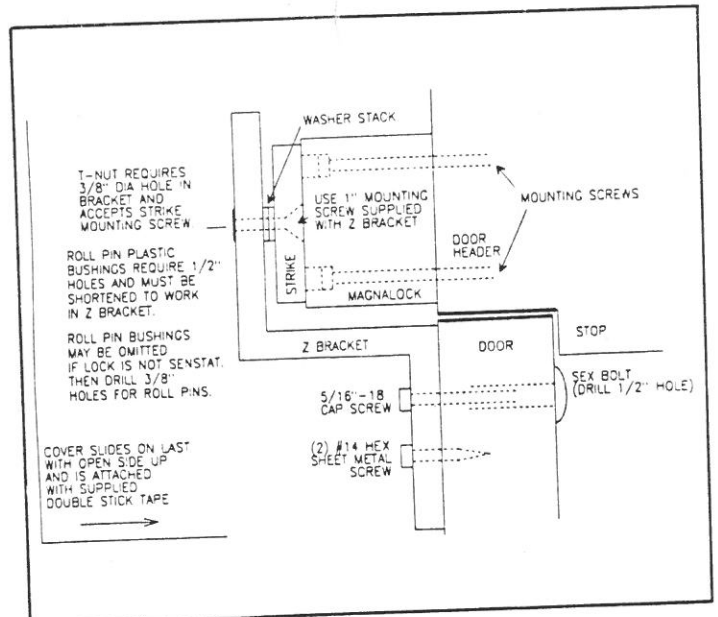
- ACS-62 (Offset strike w/fasteners). No upcharge when ordered with the Magnalock.
- ASS-62 (Split strike set w/fasteners). Upcharge applies when ordered with the Magnalock.



The Z Bracket is used with the 32 or 62 series "F" version Magnalock and allows mounting on an in-swinging door. The bracket includes a cover which gives the installation an attractive finished appearance. The assembly is available in two finishes.

1 The part numbers are:

- Z-62 (clear aluminum finish);
- Z-62B (dark brown anodized aluminum finish).



Mounting for in-swinging door with Z bracket.

Available from: