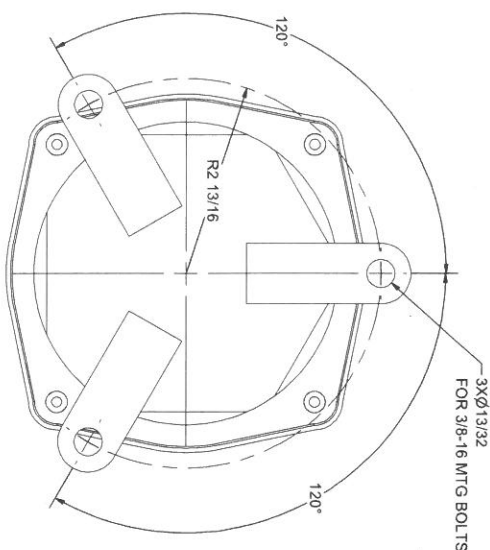
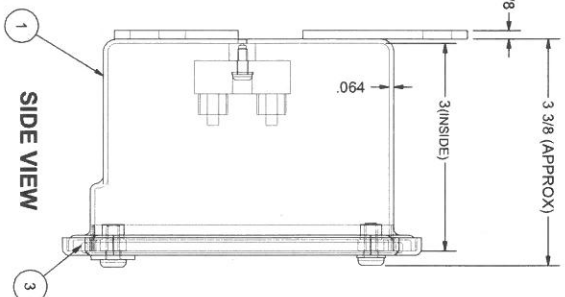


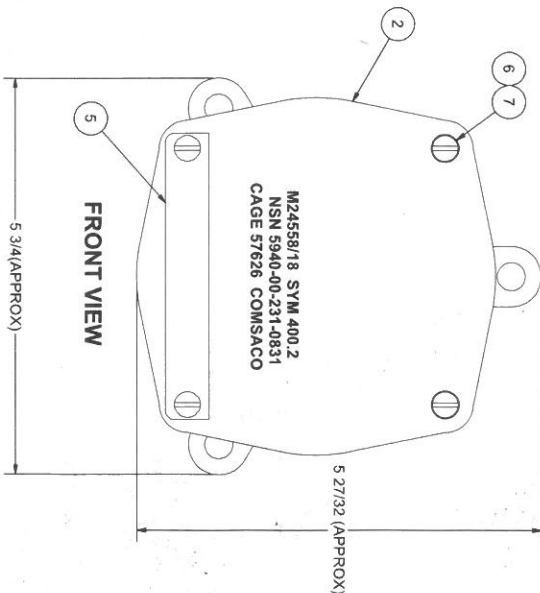
REVISIONS				
ZONE	REV	DESCRIPTION	DATE	AUTH
4C	A	CORRECTED NSN, REMOVED MARINE AND REPLACED "FSCM" WITH "CAGE".	3/31/99	WW
4C	B	CHANGED: POS. NAMEPLATE CORNERS WERE 45°.	5/26/00	AW
ALL	C	REVISED NOTES, DWG INTO CAD FORMAT.	11/19/07	WW
1A	D	REVISED: ITEM 10 WAS 101250-4. AUTH: DWG ERROR.	5/18/14	AW



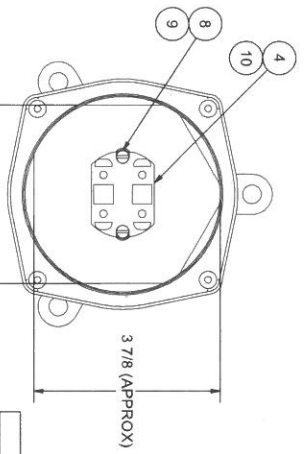
BACK VIEW



SIDE VIEW



FRONT VIEW



FRONT VIEW LESS COVER

- NOTES:
- THIS DRAWING DEVELOPED FROM MIL-DTL-24558/18.
 - RATINGS AND SPECIFICATIONS:
 - A) 600 VOLT PER MIL-DTL-24558/18, 150 VOLT PER MIL-T-55164/18, 15 AMPS MAXIMUM PER STUD OF TERMINAL BOARD.
 - B) 4 TERMINALS, 12 WIRES MAX.
 - C) DEGREE OF ENCLOSURE: SUBMERSIBLE TO 15 FEET (SBM-15) PER MIL-STD-108.
 - D) MAGNETIC PERMEABILITY: LESS THAN 2.0 FERROUS MATERIALS: NONE.
 - E) WEIGHT: 2.4 LBS MAX.
 - UNLESS OTHERWISE SPECIFIED, CABLE ENTRANCE DEVICES WILL BE PROVIDED AND INSTALLED BY THE INSTALLING ACTIVITY.
 - TERMINAL BOARDS ARE MOLDED BARRIER STUD TYPE, CLASS 13TB4 PER MIL-T-55164/18, MAXIMUM LUGS PER STUD IS 3. BU-SHIPS TYPE L80, STUDS ARE 8-32.
 - THIS EQUIPMENT TESTED UNDER AERONAV LABORATORIES REPORT 7-9795-4, DATED 7 APRIL 1987, AND COMSACO TEST REPORT FA-1014 HAS PASSED SHOCK AND VIBRATION TESTING, APPROVED BY SUPERVISOR OF SHIPBUILDING, CONVERSION AND REPAIR, US NAVY, PASCAGOULA, INGALLS SHIPBUILDING DIVISION, LTR LHD-1/9072 SER 272C/095.
 - VIBRATION PER MIL-STD-167 TYPE I, VARIABLE AND ENDURANCE UP TO 25HZ, EXPLORATORY UP TO 33HZ.
 - SHOCK PER MIL-S-901C, LIGHTWEIGHT HIGH IMPACT, GRADE A.
 - CLASS 1, TYPE A, BULKHEAD MOUNTED, BACK MTG PLANE, UNRESTRICTED ORIENTATION.
 - EFFECTIVENESS OF ENCLOSURE PER MIL-STD-108, (SBM-15F1).
 - BARREL NUTS FOR TERMINAL BOARDS TO BE PACKAGED SECURELY AND SHIPPED LOOSE INSIDE ENCLOSURE.
 - MORE THAN ONE NSN APPLIES TO THIS TERMINAL BOX. VERIFY WITH CONTRACT OR ORDER.

ITEM	QTY	PART NUMBER	DESCRIPTION
1	1	200165	BOX WELDMENT, BRASS, 4" RND 74210 STYLE
2	1	74210-40-400.2	COVER, BRASS, 4" RND 74210
3	1	MS28775-348	"O" RING GASKET COVER, RUBBER, PER AS28775
4	1	131TB4	TERMINAL BOARD, 4T, 15A, 150V, MIL-T-55164/18
5	1	100228	NAMEPLATE, BRASS, BLANK
6	4	X-RHM-BRS-024-500	SCREW, RHM, BRASS, 10-24 X 1/2"
7	2	X-FLW-BRS-10	WASHER, FLAT, BRASS, #10
8	2	X-RHM-BRS-632-375	SCREW, RHM, BRASS, 6-32 X 3/8" LG
9	2	X-LW-PHB-6	WASHER, INT TOOTH, PHOS-BRZ, #6
10	1	101290-5-4	BARREL NUT KIT, BRASS, 8-32

COMSACO, INC.
NORFOLK, VA, 23502

TERMINAL BOX ASSY, BRASS,
SYM 400.2, 74210 STYLE

UNLESS OTHERWISE SPECIFIED DIMENSIONS ARE IN INCHES	
TOLERANCES ARE:	
FRACTIONS	XX
DECIMALS	XXX .005
ANGLES	

APPROVED		SCALE	C	57626	404-400.2
SIZE (CORRECTION TO DWG NO)		REV	D		
DATE	5/22/2005	SHEET	1	OF	1

4
3
2
1