

type MP9

metallized
polypropylene

IGBT mountable
power supply
capacitor

A SUPERIOR
ALTERNATIVE
TO CONVENTIONAL
CAPACITORS FOR
ACROSS-THE-BUSS
POWER
APPLICATIONS



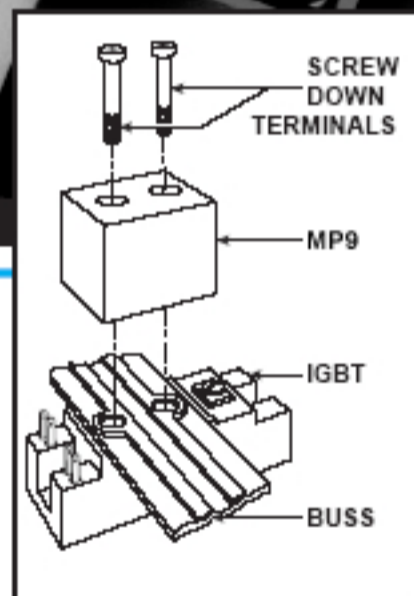
NO LEAD WIRES/NO LEAD WIRE INDUCTANCE

The EC MP80 represents the first snubber circuit power capacitor that is designed to fit IGBT terminal spacing for direct mounting. The result is a drastic reduction of inductance to levels not previously attainable with conventional leaded capacitors. This was accomplished by the inhouse development of a revolutionary way to build a capacitor with close to zero inductance, without lead wires.

The benefit to the power converter designer is measurable cost savings as a result of simplification of both the system design and manufacturing operation. Because of its wide voltage range and exceptional electrical characteristics, the MP80 is well suited for across-the-buss power usages, which includes electric vehicles, motor applications, controllers, high power inverters and power conditioning systems.

- Reduces inductance up to 90% – eliminates spiking
- Uses screw down terminals instead of lead wires
- Compact case sizes/rugged monolithic construction

SIMPLIFIES SYSTEM DESIGN, REDUCES ASSEMBLY TIME,
IMPROVES RELIABILITY, MAXIMIZES PERFORMANCE



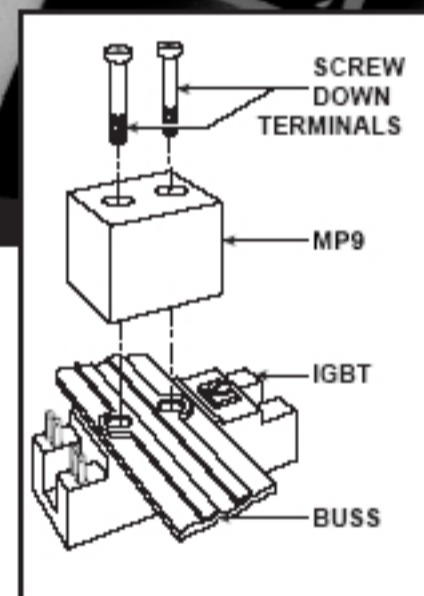
- Voltage ratings of 400 to 3300 VDC
- Continuous current carrying capacity to 80 amps
- ESR as low as 0.003 ohms
- Operating temperature: -55° to +105°C

type MP9

metallized
polypropylene

IGBT mountable
power supply
capacitor

A SUPERIOR
ALTERNATIVE
TO CONVENTIONAL
CAPACITORS FOR
ACROSS-THE-BUSS
POWER
APPLICATIONS



CONSTRUCTION

Extended metallized polypropylene film.

LIFE TEST

All capacitors can withstand a test potential of rated voltage at 85°C between terminals for a period of 2,000 hours, with not more than one failure in each group of 18 tested. Failure is defined as a permanent short or open circuit.

HUMIDITY RESISTANCE

Exceeds requirements of MIL-STD-202, Method 103.

HIGH FREQUENCY VIBRATION

These capacitors meet the 2000 cycle vibration test in accordance with Method 204 of MIL-STD-202A, condition B. Vibration is for a four hour period in each of two directions, parallel and perpendicular to the major axis.

DATE CODE

The first two digits of the code represents the year, the second two digits the week, i.e., 0052 is the 52nd week of 2000, 0108 is the 8th week of 2001.