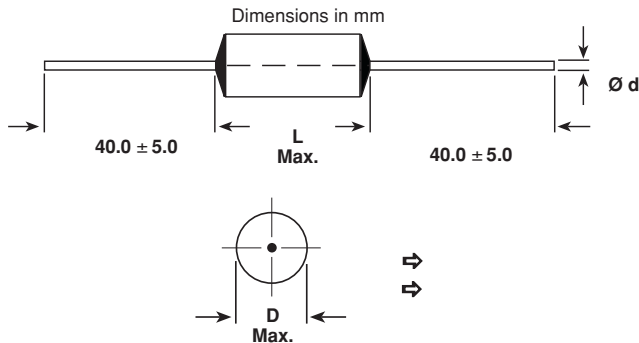
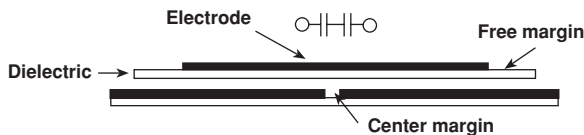


AC-Capacitors, Suppression Capacitors Class X2 AC 253V (MKT)



LEAD DIAMETER d (mm)	D (mm)
0.7	≤ 7
0.8	> 7 / < 16.5
1.0	≥ 16.5



MAXIMUM PULSE RISE TIME: (d_u/d_t) in V/μs

RATED VOLTAGE	CAPACITOR LENGTH L (mm)			
	19.0	26.5	31.5	41.5
AC 253V	200	150	100	100

RATED VOLTAGE:

AC 253V, 50/60Hz

PERMISSIBLE DC VOLTAGE:

DC 630V

TERMINALS:

Axial tinned copper wire



COATING:

Plastic, epoxy resin sealed, flame retardant

CLIMATIC TESTING CLASS ACC. TO EN 60068-1:

$C \leq 1.0\mu\text{F} = 40/100/21$
 $C > 1.0\mu\text{F} = 40/085/21$

CAPACITANCE RANGE:

E12 series 0.01μFX2 - 2.2μFX2
 preferred values acc. to E6

FEATURES:

Product is completely lead (Pb)-free
 Product is RoHS compliant

CAPACITANCE TOLERANCE:

0.01μF - ≤ 0.1μF ± 20%
 0.12μF - ≤ 2.2μF ± 10%

DISSIPATION FACTOR TANδ:

< 1% measured at 1kHz

INSULATION RESISTANCE: FOR C ≤ 0.33μF:

30 GΩ average value
 15 GΩ minimum value

TIME CONSTANT FOR C > 0.33μF:

10 000 sec. average value
 5 000 sec. minimum value

TEST VOLTAGE:

(Electrode/electrode): DC 2150V/2 sec.

REFERENCE STANDARDS:

EN 132 400, 1994
 EN 60068-1
 IEC 60384-14/2, 1993
 UL 1283

DIELECTRIC:

Polyester film

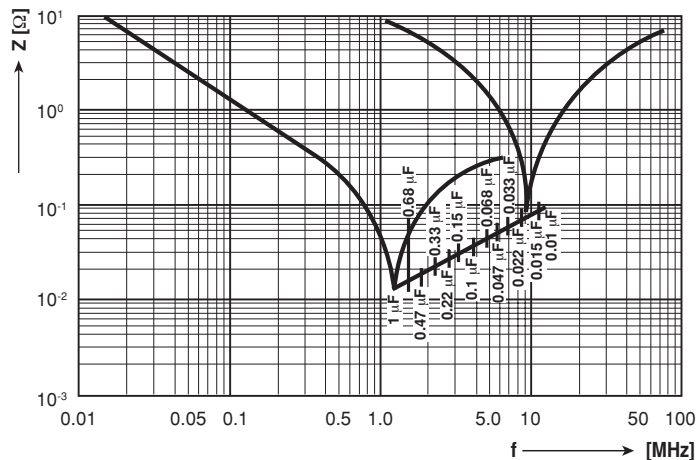
ELECTRODES:

Metal evaporated

CONSTRUCTION:

Metallized film capacitor
 Internal series connection

Between interconnected terminations and cover (foil method):
 AC 2500V for 2 sec. at 25°C.



Impedance (Z) as a function of frequency (f)
 at $T_a = 20^\circ\text{C}$ (average).
 Measurement with lead length 6mm.

FURTHER TECHNICAL DATA:

See page 21 (Document No 26504)



**RoHS
COMPLIANT**



APPROVALS

COUNTRY	SPECIFICATION	ELECTRICAL VALUES	APPROVAL REFERENCE	APPROVAL MARK
U.S.A. (for AC 250V)	UL 1283	0.01 - 2.2 μ FX	E 76297	
CB TEST-CERTIFICATE		0.01 - 2.2 μ FX2	DE 1-7470	
Germany	EN 132 400, 1999 IEC 60384-14, 2nd edition, 1995	0.01 - 2.2 μ FX2	40005089	
This approval mark together with the CB-Certificate replace all national approval marks of the following countries (they have already signed the CB-Agreement):				
Austria	Belgium	Denmark	Finland	Sweden
France	Germany	Ireland	Italy	Switzerland
Netherlands	Israel	Portugal	Spain	Great Britain
Japan	Norway	China	Poland	Czech. Republic
Singapore	Rep. of Korea	Hungary	Iceland	Slovenia

CAPACITANCE	TOL.	PITCH	DIMENSIONS D x L (mm)	WEIGHT (g)	QUANTITY PACKAGE (pcs)	ORDERING CODE*
	(%)	(mm)				
0.01 μ FX2	± 20	22.5	6.0 x 19.0	0.9	1500	F1773-310-2 . . .
0.012 μ FX2	± 20	22.5	6.0 x 19.0	0.9	1500	F1773-312-2 . . .
0.015 μ FX2	± 20	22.5	6.0 x 19.0	0.9	1500	F1773-315-2 . . .
0.018 μ FX2	± 20	22.5	6.0 x 19.0	0.9	1500	F1773-318-2 . . .
0.022 μ FX2	± 20	22.5	6.0 x 19.0	0.9	1500	F1773-322-2 . . .
0.027 μ FX2	± 20	22.5	6.0 x 19.0	0.9	1500	F1773-327-2 . . .
0.033 μ FX2	± 20	22.5	6.0 x 19.0	0.9	1500	F1773-333-2 . . .
0.039 μ FX2	± 20	22.5	6.5 x 19.0	1.0	1500	F1773-339-2 . . .
0.047 μ FX2	± 20	22.5	7.0 x 19.0	1.1	1500	F1773-347-2 . . .
0.056 μ FX2	± 20	22.5	8.0 x 19.0	1.6	1500	F1773-356-2 . . .
0.068 μ FX2	± 20	22.5	8.0 x 19.0	1.6	1500	F1773-368-2 . . .
0.082 μ FX2	± 20	22.5	9.0 x 19.0	1.8	1500	F1773-382-2 . . .
0.1 μ FX2	± 20	22.5	9.5 x 19.0	2.0	1000	F1773-410-2 . . .
0.12 μ FX2	± 10	22.5	10.5 x 19.0	2.2	1000	F1773-412-2 . . .
0.15 μ FX2	± 10	30.0	8.5 x 26.5	2.2	1000	F1773-415-2 . . .
0.18 μ FX2	± 10	30.0	9.5 x 26.5	2.6	1000	F1773-418-2 . . .
0.22 μ FX2	± 10	30.0	10.0 x 26.5	2.8	1000	F1773-422-2 . . .
0.27 μ FX2	± 10	30.0	11.0 x 26.5	3.3	750	F1773-427-2 . . .
0.33 μ FX2	± 10	30.0	12.0 x 26.5	3.8	750	F1773-433-2 . . .
0.39 μ FX2	± 10	30.0	13.0 x 26.5	4.7	750	F1773-439-2 . . .
0.47 μ FX2	± 10	30.0	14.0 x 26.5	5.5	1250	F1773-447-2 . . .
0.56 μ FX2	± 10	35.0	14.0 x 31.5	6.2	1000	F1773-456-2 . . .
0.68 μ FX2	± 10	35.0	15.0 x 31.5	6.7	1000	F1773-468-2 . . .
0.82 μ FX2	± 10	35.0	16.5 x 31.5	8.3	750	F1773-482-2 . . .
1.0 μ FX2	± 10	35.0	18.0 x 31.5	9.5	750	F1773-510-2 . . .
1.2 μ FX2	± 10	35.0	19.5 x 31.5	11.0	500	F1773-512-2 . . .
1.5 μ FX2	± 10	45.0	18.0 x 41.5	13.5	500	F1773-515-2 . . .
1.8 μ FX2	± 10	45.0	19.5 x 41.5	15.7	450	F1773-518-2 . . .
2.2 μ FX2	± 10	45.0	21.5 x 41.5	17.8	400	F1773-522-2 . . .

Preferred values in bold print.

*These capacitors can be delivered on continuous tape and reel - see page 13 (Document Number 27621).

The ordering code is F1773- . . . - 2900 taped on reel, F1773- . . . - 2901 taped ammpack.



Notice

Specifications of the products displayed herein are subject to change without notice. Vishay Intertechnology, Inc., or anyone on its behalf, assumes no responsibility or liability for any errors or inaccuracies.

Information contained herein is intended to provide a product description only. No license, express or implied, by estoppel or otherwise, to any intellectual property rights is granted by this document. Except as provided in Vishay's terms and conditions of sale for such products, Vishay assumes no liability whatsoever, and disclaims any express or implied warranty, relating to sale and/or use of Vishay products including liability or warranties relating to fitness for a particular purpose, merchantability, or infringement of any patent, copyright, or other intellectual property right.

The products shown herein are not designed for use in medical, life-saving, or life-sustaining applications. Customers using or selling these products for use in such applications do so at their own risk and agree to fully indemnify Vishay for any damages resulting from such improper use or sale.