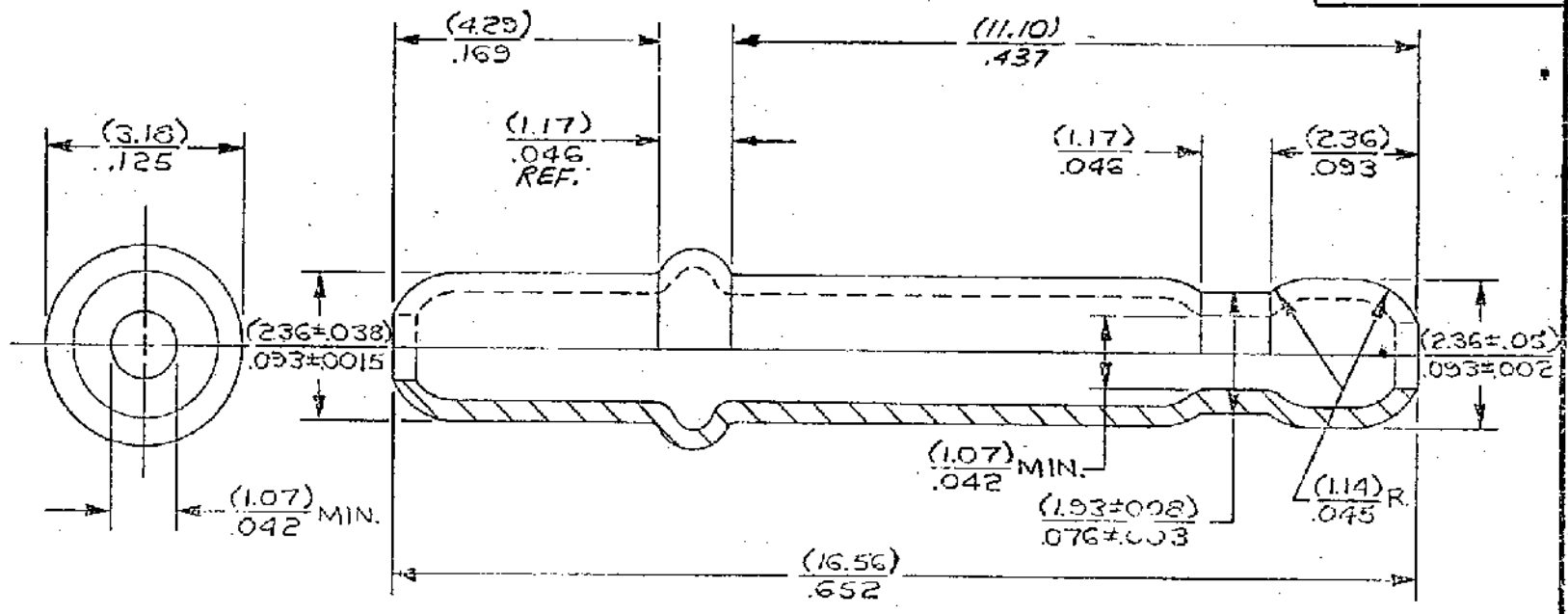


PART NO.  
16-06-0012  
DWG. NO.  
SDSP-608



FINISH:  
ELECTRO TIN PLATE  $(0.00508)$  MIN.  
 $(0.000200)$

MATERIAL:  
BRASS, ALLOY #C26000

S  
C  
4  
13

FINAL RELEASE ECR 10/02/96 GNC 3-12-90	REVISIONS	DIMENSION SHOWN (METRIC/INCH)		TITLE	
		UNLESS OTHERWISE SPECIFIED TOLERANCE:		.093 DIA. PIN FOR P.C. BOARDS	
		INCH	METRIC	MOLEX INCORPORATED	SHEET NO. 1 of 1
		3 PLACE ± .010	± 0.25	1516, KL 60332 U.S.A.	DATE 3-12-90
		1 PLACE ± .014	± 0.36		
		ANGULAR 1:2			
		DRAFT WHERE APPLICABLE MUST REMAIN WITHIN DIMENSIONS UNLESS OTHERWISE SPECIFIED DO NOT SCALE DRAWING		PART NO. 16-06-0012	
		DRAWN BY GNC		DWG. NO. SDSP-608	
		CHKD BY [Signature]		A	
		APPD BY [Signature]		THIS DRAWING CONTAINS INFORMATION THAT IS PROPRIETARY TO MOLEX INC. AND SHOULD NOT BE USED WITHOUT WRITTEN PERMISSION.	
		SCALE 10:1			

NO P.S. 1