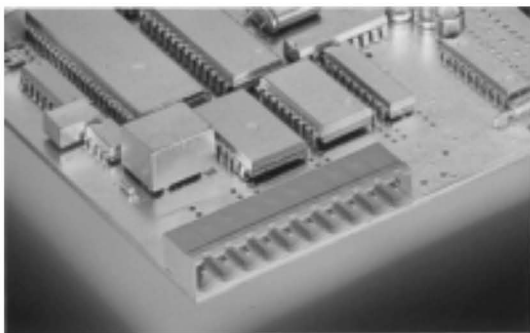


EDSTL950/X (5.0 mm) EDSTLZ950/X (5.08 mm)



2-24 poles, Spacing 5.0 mm or 5.08 mm
insert required no. of poles **X**
How to order see page 5



Ratings:

Rated Voltage	300 V	250 V
Rated Current	15 A	12 A (T60)
Rating Impulse Voltage/Dirt Level		4 kV/3

Dimensions

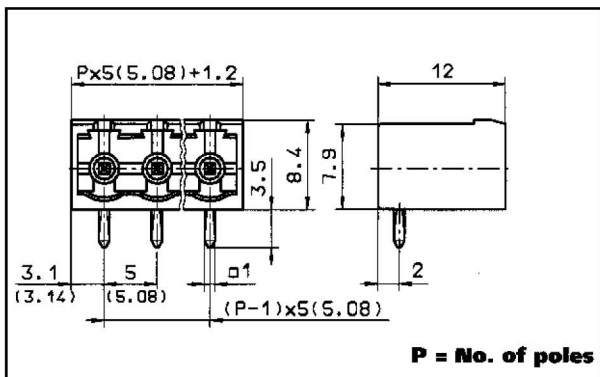
Spacing	5.0 mm (5.08 mm)
PCB Hole Diameter	1.4 mm

Materials

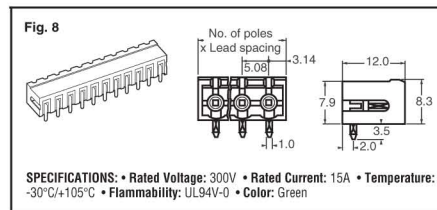
Insulating Material	PA/PBTP
Flammability Class	UL94 V-0
Temperature Range	-30°C/+105°C
Contact Pin	Cu

Color

Green



Category	Connectors
Family	Terminal Blocks - Headers, Plugs and Sockets
Pitch	0.200" (5.08mm) 1/5"
Terminal Block Type	Header, Male Pin, Shrouded (4 Side)
Number of Positions	2
Wire Size	-
Color	Green
Mounting Type	Through Hole
Number of Rows	1
Series	EDSTLZ950
Features	-
Termination	Solder
Mating Orientation	Horizontal with Board
Current	15A
Voltage	300V



5.08mm Lead Spacing — Horiz. Headers						
8	2	10.16	ED1817-ND♦†	.47	.43	.38
	3	15.24	ED1818-ND♦†	.71	.64	.57
	4	20.32	ED1819-ND♦†	.95	.85	.75
	5	25.40	ED1820-ND♦†	1.18	1.06	.94
	6	30.48	ED1821-ND♦†	1.41	1.27	1.13
	7	35.56	ED1822-ND♦†	1.65	1.48	1.31
	8	40.64	ED1823-ND♦†	1.89	1.70	1.50
	9	45.72	ED1824-ND♦†	2.13	1.91	1.69
	10	50.80	ED1825-ND♦†	2.36	2.12	1.87
	11	55.88	ED1826-ND†	2.59	2.33	2.06
	12	60.96	ED1827-ND♦†	2.83	2.54	2.25
	14	71.12	ED1828-ND♦†	3.30	2.97	2.62
	16	81.28	ED1829-ND♦†	3.77	3.39	3.00
	18	91.44	ED1830-ND♦†	4.25	3.81	3.37
	20	101.60	ED1831-ND♦†	4.72	4.23	3.74
	24	121.92	ED1832-ND♦†	5.66	5.08	4.49
5.08mm Lead Spacing — Horiz. Headers						
11	2	20.32	ED2427-ND♦	2.18	1.96	1.74
	3	25.40	ED2428-ND♦	2.43	2.19	1.94
	4	30.48	ED2429-ND♦	2.73	2.46	2.18

♦ RoHS Compliant § Use Keying Star ED1901-ND

† Use Keying Star ED1902-ND

‡ Drawing shows 5.08 pitch