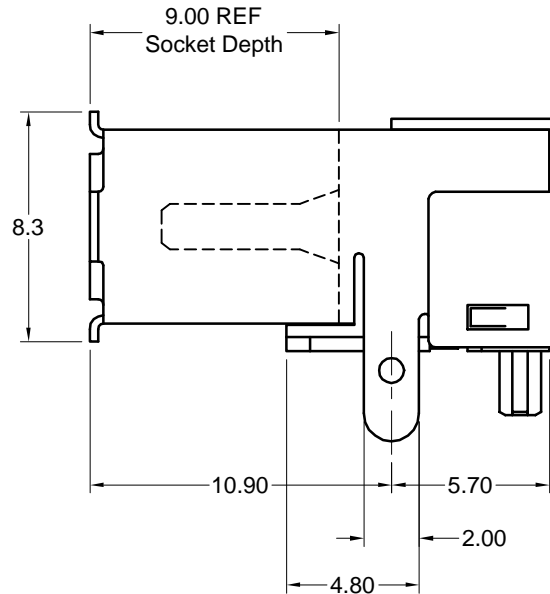
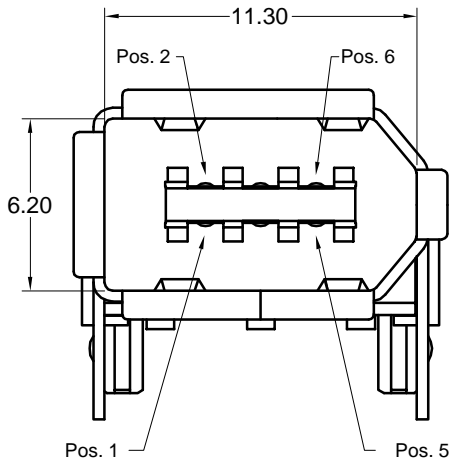


Recommended PCB Layout
Component Side



Part Number	*Insulator Color
KFWS-SMTBS-100B-30	Black
KFWS-SMTBS-100W-30	White

Materials and Finish

Shell: Phosphor Bronze,
Nickel Plating
Insulator: UL94V-0 Rated
High Temp. Thermoplastic
Color*- White or Black
Contacts: Phosphor Bronze
Plating- 0.76um (30u")
Gold on Contact Area,
3.8um (150u") Tin/Lead
on Solder Tail, all over
1.27um (50u") Nickel

Mechanical Specifications

Durability: 1500 cycles minimum
Mating Force:
35 Newtons maximum
Withdrawal Force:
10 Newtons minimum

Electrical Specifications

Voltage Rating:
30VAC (rms)
Current Rating:
1A max. per contact not
to exceed 30°C Temp. rise
Dielectric Withstanding Voltage:
750VAC @ sea level
Capacitance:
2pF maximum
Contact Resistance:
less than 30 milliohms
per contact pair after
1500 mating cycles.
Insulation Resistance:
Greater than 100 Megohms
Operating Temperature:
-55°C to + 85°C

Tolerances
X.X ± 0.25
X.XX ± 0.15
Unless Stated Otherwise



REV.	DATE	DESCRIPTION	REV. BY	CHK. BY	DRAWN BY	DATE
A0	03/06/02	New Drawing	M. Yiu	K. Wallace	M. Yiu	03/06/02

KFWS-SMTBS-100x-30

Firewire IEEE1394 Receptacle

Single, Right Angle, SMT Type, with Back Shield

