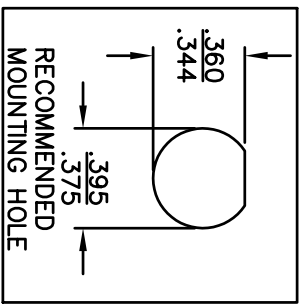
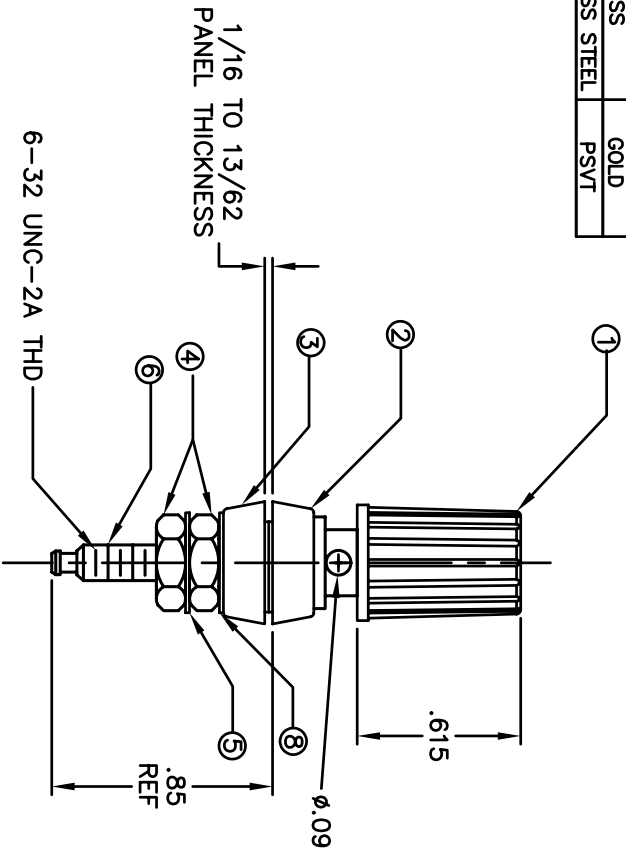


BILL OF MATERIALS

| DET. | QTY. | DESCRIPTION | MATERIAL        | PLATING |
|------|------|-------------|-----------------|---------|
| 1    | 1    | CAP         | LEXAN           | ----    |
| 2    | 1    | WASHER      | LEXAN           | ----    |
| 3    | 1    | WASHER      | LEXAN           | ----    |
| 4    | 2    | NUT         | BRASS           | GOLD    |
| 5    | 1    | LOCK WASHER | BRASS           | GOLD    |
| 6    | 1    | BODY        | BRASS           | GOLD    |
| 7*   | 1    | INSERT      | BRASS           | GOLD    |
| 8    | 1    | FLAT WASHER | BRASS           | GOLD    |
| 9*   | 1    | RING        | STAINLESS STEEL | PSVT    |

\*NOT SHOWN

| REVISIONS |                           | REVISED DATE | APPR    |
|-----------|---------------------------|--------------|---------|
| SYM       | DESCRIPTION               | TPL          | 6/15/04 |
| D         | REDRAWN FROM REV C IN CAD | TPL          | 6/15/04 |



| PART #   | COLOR  |
|----------|--------|
| 1517-101 | WHITE  |
| 1517-102 | RED    |
| 1517-103 | BLACK  |
| 1517-104 | GREEN  |
| 1517-105 | BLUE   |
| 1517-106 | ORANGE |
| 1517-107 | YELLOW |
| 1517-108 | BROWN  |
| 1517-112 | VIOLET |
| 1517-113 | GRAY   |

|   |        |                    |                    |
|---|--------|--------------------|--------------------|
| MATERIAL: SEE BOM   |        | FINISH: SEE BOM    |                    |
| DIMENSIONAL TOLERANCES UNLESS OTHERWISE SPECIFIED   |        | TITLE: 1517 SERIES |                    |
| XX  | XXX    | XXX                | 5-WAY BINDING POST |
| ---   | ---    | ---                | 6-32 THD           |
| FRACTIONS   | ANGLES | SCALE              |                    |
| ---   | ---    | 2:1                |                    |
| HEAT TREAT:   | ---    | DRAWN: T. LORD     | DATE: 6/15/04      |
| PLT SCALE: 1=1  | ---    | CHECKED: T. LORD   | DATE: 6/15/04      |
|   | ---    | APPROVED: T. LORD  | DATE: 6/15/04      |
| <p><b>ABBATRON</b></p> <p>Electronic Connectors and Hardware</p> <p>632 Arch Street, Meadville, Pa. 16335</p> |        | SIZE               | DRAWING NUMBER     |
|   |        | B                  | 1517               |
|   |        |                    | ISSUE              |
|   |        | D                  |                    |