

**B** TJS-120

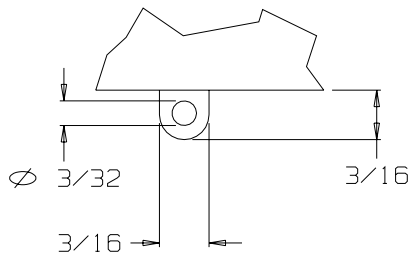
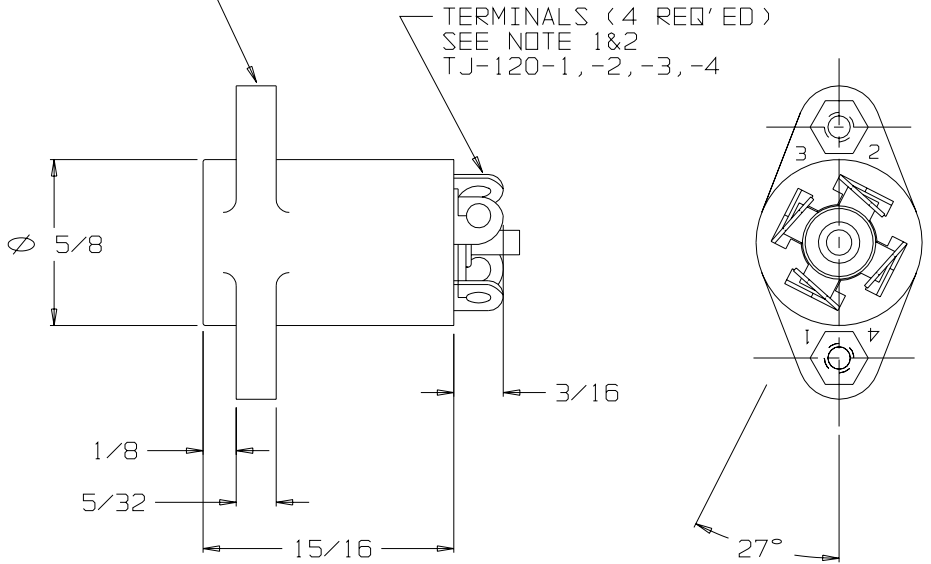
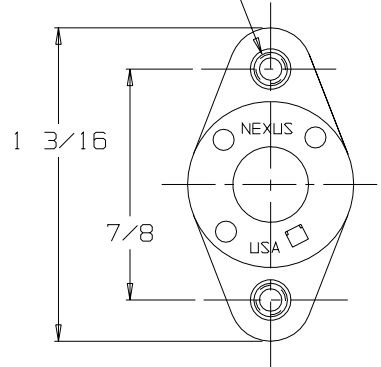
#4-40 UNC-2B  
BRASS INSERTS

BODY, PHONE JACK W/ NUTS  
GENERAL PURPOSE PHENOLIC  
COLOR: BLACK (TJ-120-7)

TERMINALS (4 REQ' ED)  
SEE NOTE 1&2  
TJ-120-1, -2, -3, -4

NOTES:

- 1) TERMINAL 1,2,3&4 TO BE BERYLLIUM COPPER.
- 2) ALL TERMINALS FINISHED PER QQ-N-290A, TYPE 1 CLASS VII NICKEL.
- 3) ASSEMBLY TO MAKE CONTACT WITH TELEPHONE PLUGS TYPE U-93A/U, U-174/U & NEXUS TP-120.
- 4) TERMINALS 1 & 3 ARE FOR MICROPHONE CIRCUIT, TERMINALS 2 & 4 ARE FOR EARPHONE CIRCUIT.
- 5) INSERTION FORCE: 13 LBS MAX  
WITHDRAWAL FORCE : 5 LBS MIN, 10 LBS MAX.
- 6) ELECTRICAL: :  
 A) DIALECTRIC STRENGTH- 500 VOLTS RMS MIN BETWEEN ANY PAIR OF CONTACTS.  
 B) INSULATION RESISTANCE- 100 MEGAOHMS MIN BETWEEN ANY PAIR OF CONTACTS.



TERMINAL DETAIL

THIS DOCUMENT CONTAINS PROPRIETARY INFORMATION OF NEXUS, INCORPORATED AND SUCH INFORMATION MAY NOT BE DISCLOSED TO OTHERS FOR ANY PURPOSE OR USED FOR ANY PURPOSE WITHOUT THE WRITTEN CONSENT OF NEXUS.

DWN. BY EWT		DATE 11/13/03		MATERIAL SEE DRAWING	
CHECKED BY		DATE		FINISH N/A	
APPR. BY		DATE		WEIGHT — SCALE 2:1	
UNLESS OTHERWISE SPECIFIED DIMENSIONS ARE IN INCHES TOLERANCES ON				TITLE PHONE JACK ASSY FOUR CONTACT	
.XX .XXX ANGLES					
— ±.003 ±.5°				DO NOT SCALE DWG. SHEET 1 OF 1	
H	RE-DRAWN ON CAD	457	11/20/03	EWT	<b>NEXUS</b> STAMFORD, CONN SIZE B DWG. NO. TJS-120
G	ADDED NOTE 5&6		2/15/99		
F	RE-DRAWN		8/13/99	MA	
LET.	REVISION	CN #	DATE	CHK.	

# Mouser Electronics

Authorized Distributor

Click to View Pricing, Inventory, Delivery & Lifecycle Information:

[Amphenol:](#)

[TJS-120](#)