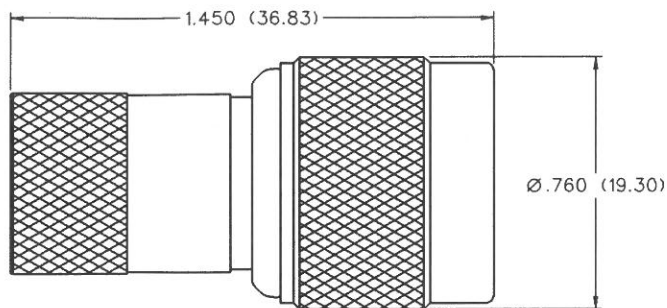




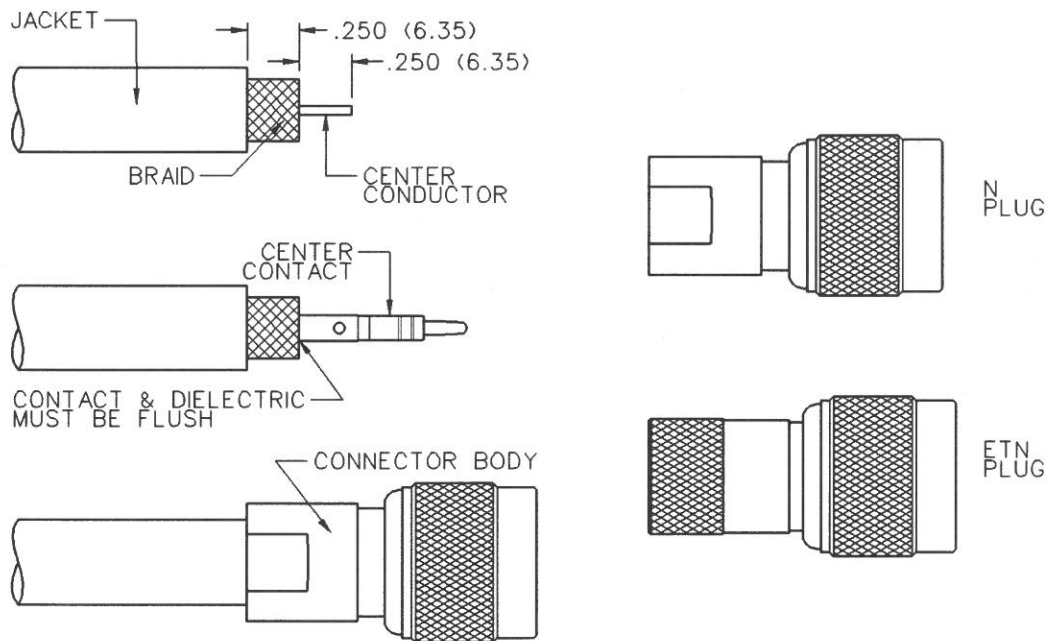
**CAMBRIDGE
PRODUCTS**

INCHES (MILLIMETERS)
CUSTOMER DRAWINGS AVAILABLE UPON REQUEST

Type N Straight Twist-On Plug - 90 Second Termination



PART NUMBER	CABLE TYPE	CONTACT I.D.	JACKET O.D.
CPFI-ETN-22	BELDEN 89880	.083 (2.11)	.370 (9.40)-.380 (9.65)



1. Identify connector parts (2 pieces).
2. Trim the cable as shown, taking care not to nick the center conductor or outer braid. Make sure that the outer braid lays flat. Trim any loose braids that can cause shorts.
3. Twist the contact in a clockwise direction on the center conductor until the contact is flush with the inner dielectric.
4. Twist the connector onto the cable in a clockwise direction. The connector is properly installed when the end of the contact is positioned within 1/32" of the front edge of the connector.

Part Number	Cable	Wire Gauge	Wire Decimal	Jacket O.D.
CPFI-ETN-22	BELDEN 89880	13	.085 (2.16)	.370 (9.40)-.380 (9.65)