

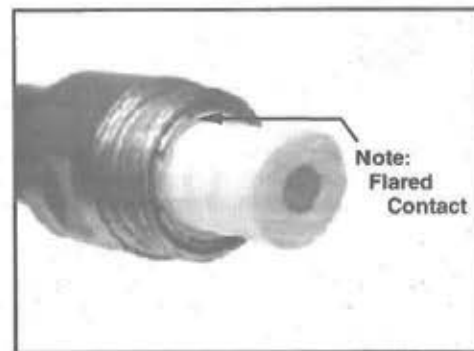
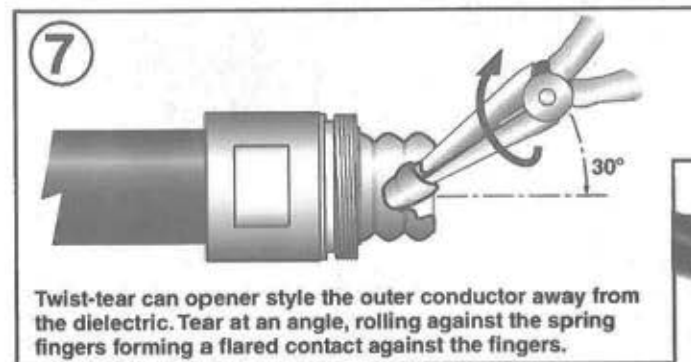
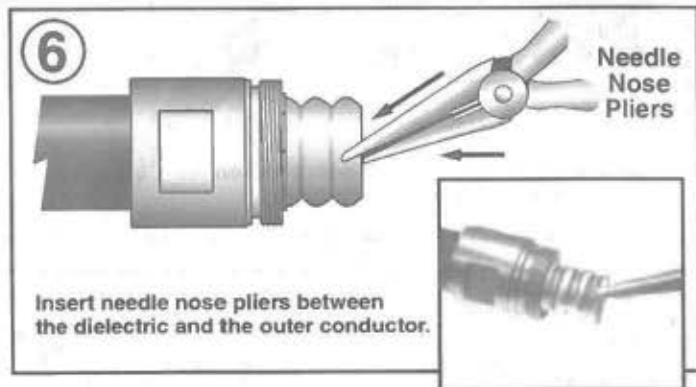
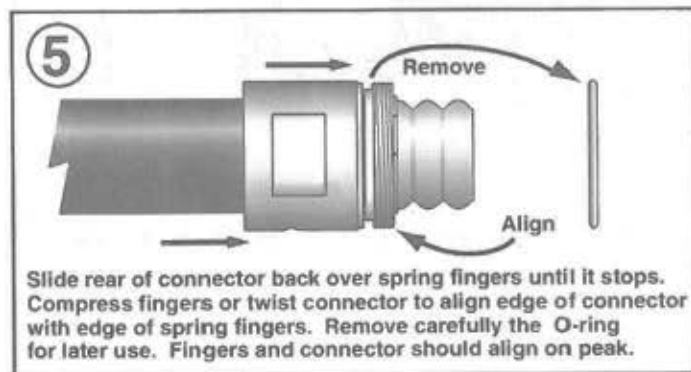
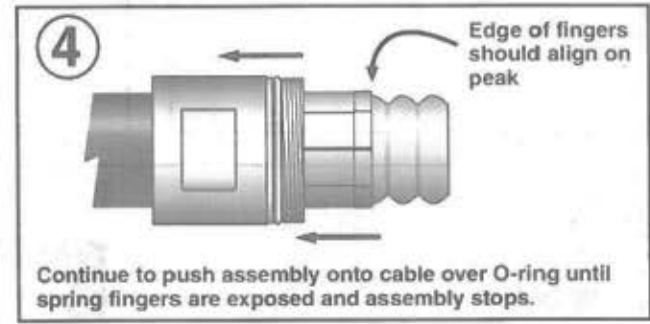
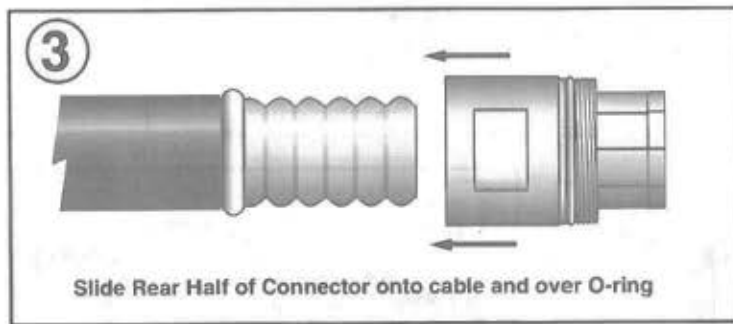
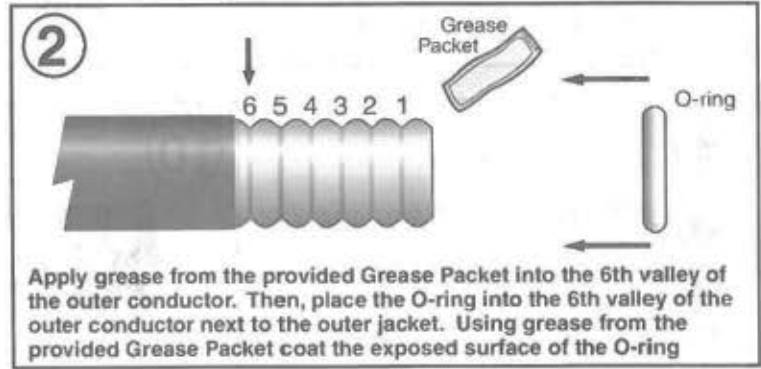
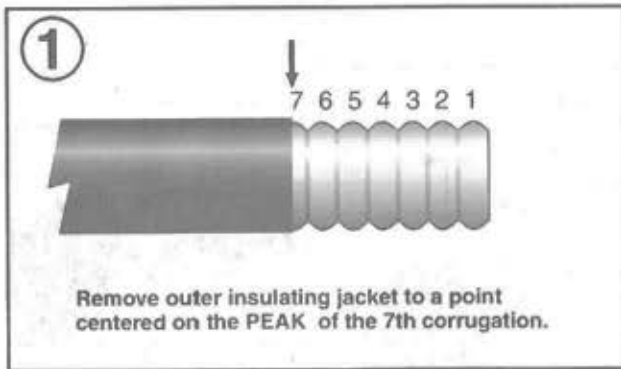
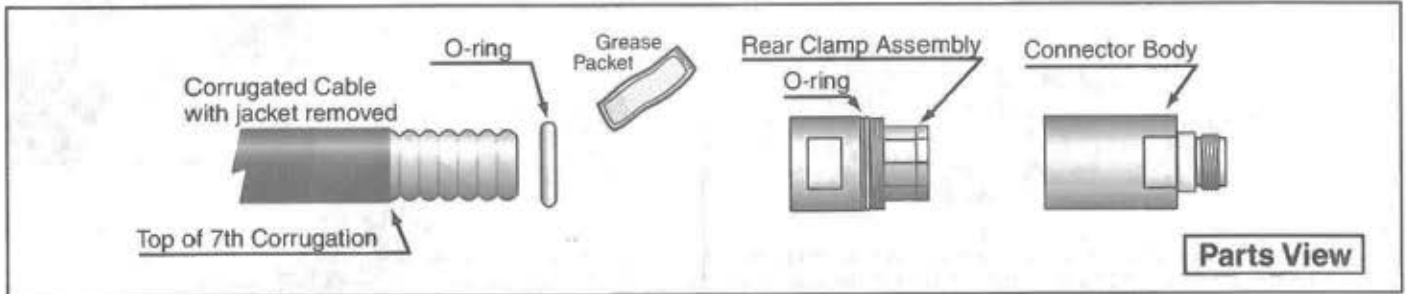


EUPEN CABLE
GW002 / Rev 03 2/2004

INSTALLATION INSTRUCTIONS

1/2" Standard Cable & Connector

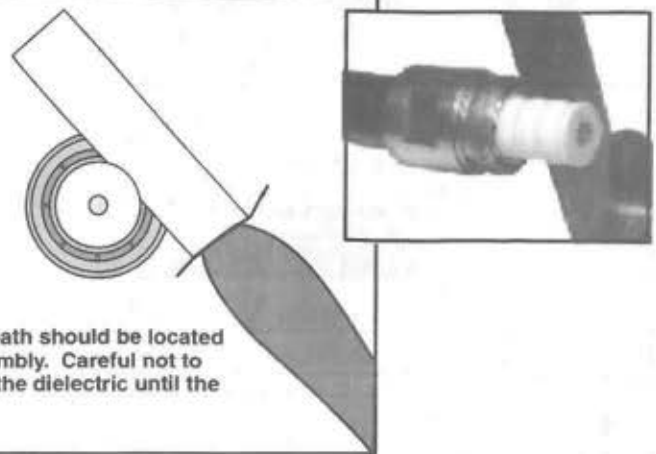
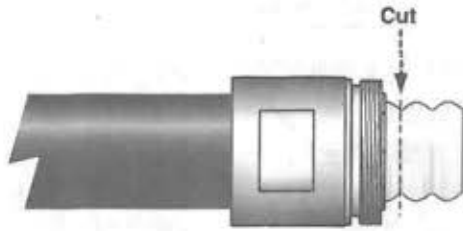
Please use cable prep tool part number SPTC50AV12 and refer to its instructions for use.
Follow the installation process below only if this tool is not available.



1/2" Standard Cable & Connector

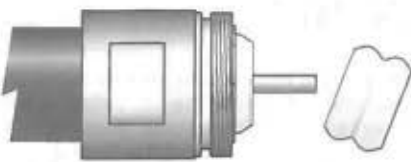


8



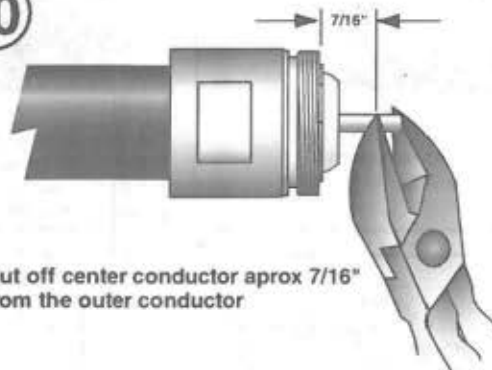
Using a knife, score a straight path in the foam dielectric. The path should be located in the first valley (or indentation) in front of the rear clamp assembly. Careful not to score or scrape the Center Conductor, continue to cut through the dielectric until the end piece can be removed.

9



Remove dielectric

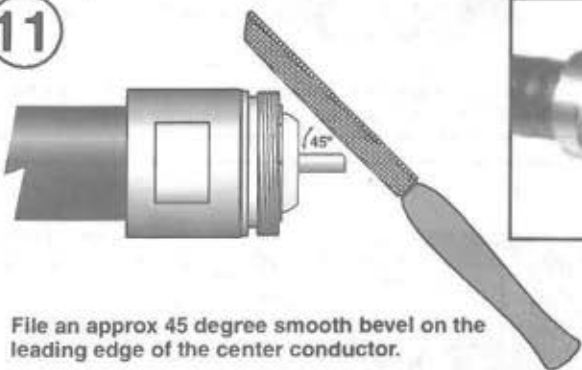
10



Cut off center conductor aprox 7/16" from the outer conductor



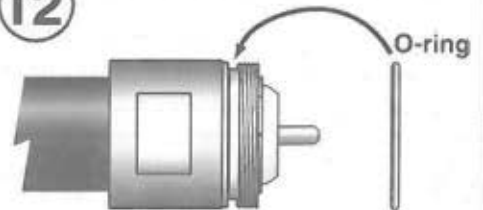
11



File an approx 45 degree smooth bevel on the leading edge of the center conductor.

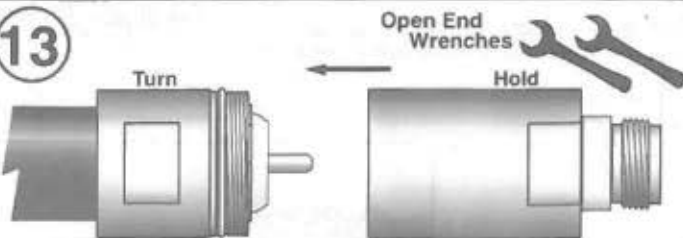


12

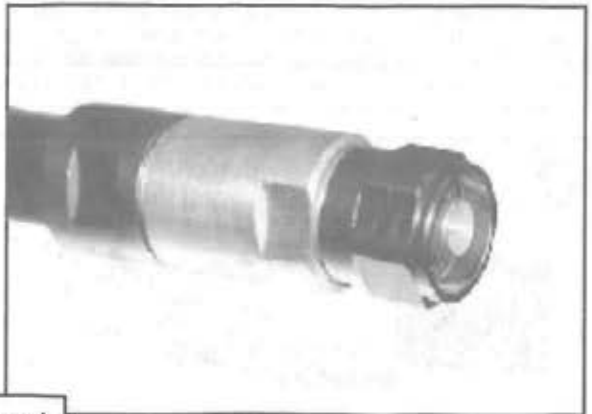


Reinstall O-ring.

13



Screw Connector Body (male or female) onto the Rear Clamp Assembly and tighten with open end wrenches until tight. (15ft-lb). Torque wrench TQ-34-F15 may be used.



Type N

Two 19mm wrenches
Note: Use 15 ft lb of torque

DIN

One 19mm & One 24mm wrench
Note: Use 15 ft lb of torque