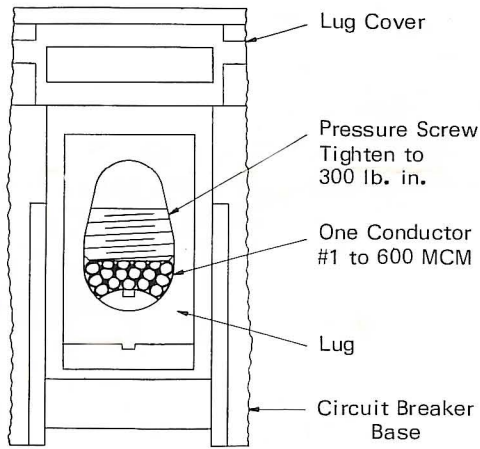


CONDUCTOR INSTALLATION INSTRUCTIONS

SQUARE D LA FRAME AND 125-400 AMP MA FRAME CIRCUIT BREAKER

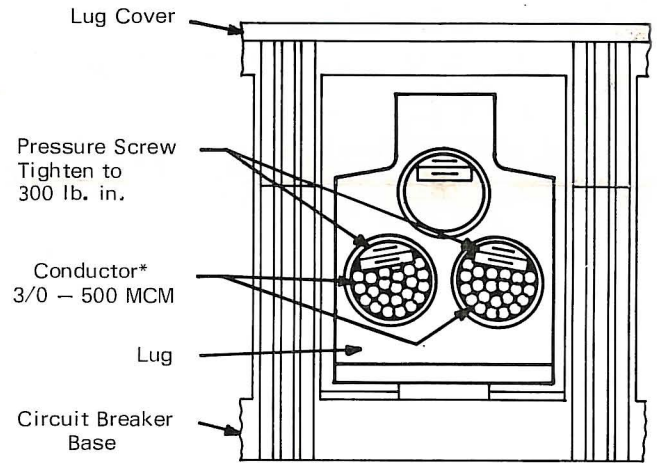
When One Conductor Per Lug
Is Used Connect As Shown



END VIEW

SQUARE D 425 TO 1000 AMP MA FRAME CIRCUIT BREAKER SERIES 1

When Two Conductors Per Lug
are Used Connect as Shown

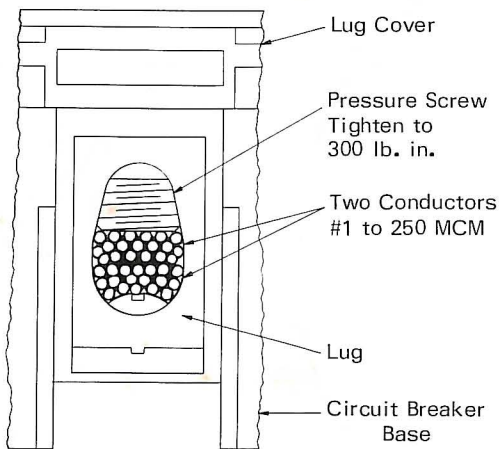


END VIEW

*

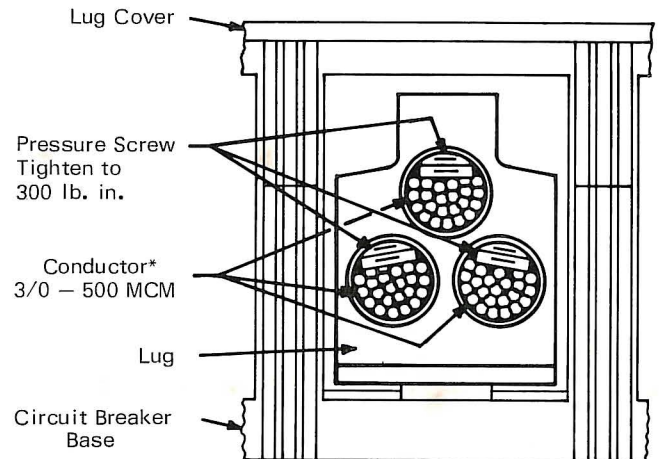
RECOMMENDED STRANDING	
AWG/MCM	STRANDS
#1 THRU 0000	19
250 MCM THRU 500 MCM	37
600 MCM	61

When Two Conductors Per Lug
are Used Connect as Shown



END VIEW

When Three Conductors Per Lug
are Used Connect as Shown



END VIEW

To connect bus to a Series 1, MA frame circuit breaker, drill two 1/2" diameter clearance holes in each bus, use two mounting screws and two helical split lock washers per phase as shown below. These parts may be ordered from the nearest SQUARE D sales office.

Plated steel cap screw:
7/16 - 14 x 7/8" or 1" (#21401-26280).

Plated steel lock washer:
7/16 ID (#23702-00260).

Tighten to 280 pound-inches torque.

SQUARE D COMPANY