

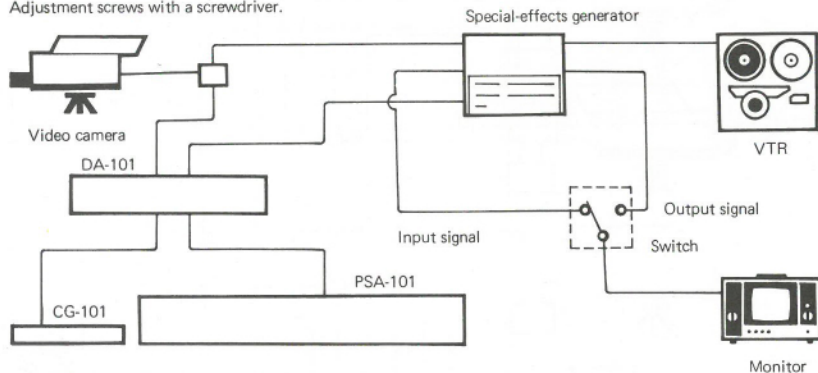
SYSTEM CONNECTION

Connect the cable with the 11-pin connector to the Phase Shifter connector of the DA-101. For further connection and operation, refer to the instruction manual furnished with the DA-101.

PHASE ADJUSTMENT

Set up the system as illustrated. Connect a monitor to a special-effects generator to compare phase differences between input and output video signals.

It is convenient to use a switch that selects either the input or output signal to compare color. Turn the Phase Correction Knobs until input and output signals are matched. Phase adjustment is performed by turning the Fine Adjustment screws with a screwdriver.



TECHNICAL SPECIFICATIONS

Input signal:	Subcarrier 2 V(p-p), 75-ohms unbalanced
Output signal:	Subcarrier 2 V(p-p), 75-ohms unbalanced
	Five cameras can be controlled through the DA-101.
Phase adjustment range:	Approx. 0°, 90°, 180°, 270°
	Fine adjustment, approx. 0 - 90° (continuously)
Power requirement:	DC 20 V (supplied from the DA-101)
Power consumption:	10 W
Dimensions:	17-3/4 (w) x 1-3/4 (h) x 10" (d)
Weight:	3 lb, 5 oz

Design and specifications subject to change without notice.

If there are any questions about this machine, contact the SONY Authorized VTR Service Station or SONY VTR Service Center.

