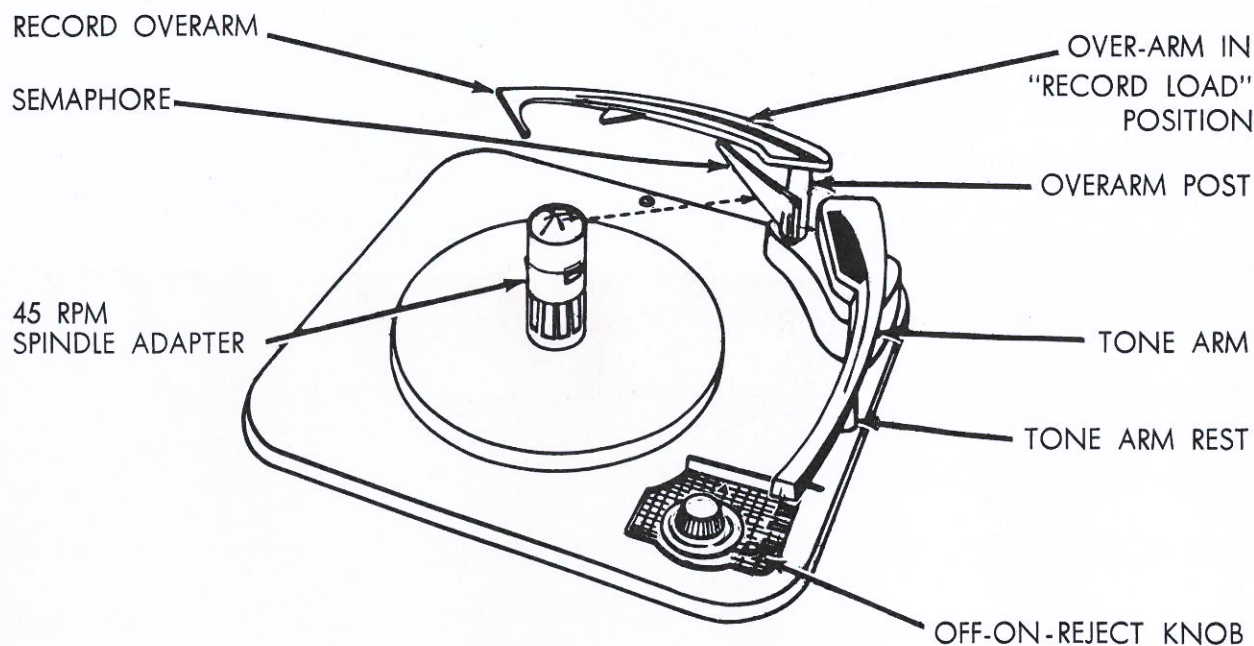


WEBCOR

INSTRUCTIONS FOR INSTALLING MODEL A 1930-1 45 RPM SPINDLE ADAPTER ON WEBCOR DISKCHANGERS

1. Turn the Diskchanger off by sliding the Off-On-Reject knob to "OFF".
2. Place the Overarm in "Record Load" position.
3. Place the Tone Arm on the Tone Arm Rest.
4. Slip the 45 RPM Spindle Adapter over changer Spindle. The arrow on top of the 45 RPM Spindle Adapter should point to the Semaphore as illustrated below.
5. Place up to a 1" stack of Records on the 45 RPM Spindle Adapter.
6. Return Overarm to center position to hold records in place.
7. To remove the 45 RPM Spindle Adapter, pull it off the changer Spindle after placing Overarm in "Record Load" position.



WEBCOR, INC.
CHICAGO, ILLINOIS