



# Switched and Fused Filtered Power Entry Modules

For Medical or General Purpose Applications

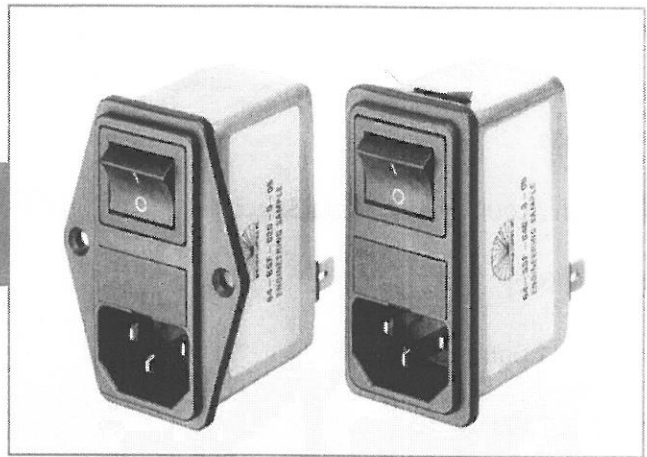
## 66-67-BSF/66-67-SSF Series



Tested and found to be IAW VDE 0565 Part 3

### Features

- Metric and North American fuse holders available
- Fuse holder and a double pole power ON/OFF switch provides a convenient/compact package
- Suitable for products that must conform to FCC and FTZ requirements
- Meets over voltage category II of IEC 664 and complies with IEC 950
- Provides susceptibility protection without the leakage current associated with line-to-ground capacitors
- Designed to meet requirements for non-patient and patient care equipment
- Metal case provides effective EMI shielding
- Easy access fuse drawer - space for spare fuse
- Flange-mounted or snap-in styles available for quick mounting
- Operating temperature: -25°C to +85°C (including temperature rise, see graph on page PF41)

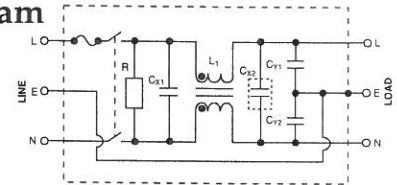


### Applications

- Medical equipment
- Industrial equipment
- Telecommunications equipment
- Measuring and testing instruments
- Digital equipment (including switching power supplies)
- General purpose filter for susceptibility or high frequency "clean up" applications

### Circuit Diagram

Note: C<sub>Y1</sub> and C<sub>Y2</sub> capacitors omitted on 66/67 B(S)F-XXX-1-X Filters



### Specifications

Model*	Rated Voltage 50/60Hz	Rated Current	Leakage Current (Max.)	Capacitance			Temp. Induct. (L <sub>1</sub> )	Rise (Max.)				
				C <sub>Y</sub>	C <sub>X1</sub>	C <sub>X2</sub>						
66-XXX-020-0-12	250 VAC	2A	.075mA	330pF	0.22uF	NONE	10.5mH	40°C				
66-XXX-020-0-04					0.22uF	NONE						
66-XXX-020-0-14					0.47uF	NONE						
66-XXX-020-0-06				0.22uF	NONE							
66-XXX-020-1-12				0.22uF	NONE							
66-XXX-020-1-04				0.22uF	NONE							
66-XXX-020-1-14			0.47uF	NONE								
66-XXX-020-1-06			0.22uF	NONE								
66-XXX-020-4-12			.1mA	470pF	0.22uF	0.22uF			NONE			
66-XXX-020-4-04					0.22uF	0.22uF			NONE			
66-XXX-020-4-14					0.47uF	NONE			NONE			
66-XXX-020-4-06					0.47uF	0.22uF			0.22uF			
66-XXX-040-0-12		.075mA			330pF	0.22uF	0.22uF	NONE	4.2mH	45°C		
66-XXX-040-0-04						0.22uF	0.22uF	NONE				
66-XXX-040-0-14			0.47uF	NONE		NONE						
66-XXX-040-0-06			0.47uF	0.22uF		0.22uF						
66-XXX-040-1-12			.01mA	NONE		0.22uF	0.22uF	NONE				
66-XXX-040-1-04						0.22uF	0.22uF	NONE				
66-XXX-040-1-14						0.47uF	NONE	NONE				
66-XXX-040-1-06						0.47uF	0.22uF	0.22uF				
66-XXX-040-4-12						.01mA	470pF	0.22uF			0.22uF	NONE
66-XXX-040-4-04								0.22uF			0.22uF	NONE
66-XXX-040-4-14			0.47uF	NONE				NONE				
66-XXX-040-4-06			0.47uF	0.22uF				0.22uF				
66-XXX-060-0-12	.075mA	330pF	0.22uF	0.22uF	NONE			1.6mH	45°C			
66-XXX-060-0-04			0.22uF	0.22uF	NONE							
66-XXX-060-0-14			0.47uF	NONE	NONE							
66-XXX-060-0-06			0.47uF	0.22uF	0.22uF							
66-XXX-060-1-12			.01mA	NONE	0.22uF	0.22uF	NONE					
66-XXX-060-1-04					0.22uF	0.22uF	NONE					
66-XXX-060-1-14					0.47uF	NONE	NONE					
66-XXX-060-1-06					0.47uF	0.22uF	0.22uF					
66-XXX-060-4-12					.1mA	470pF	0.22uF			0.22uF	NONE	
66-XXX-060-4-04							0.22uF			0.22uF	NONE	
66-XXX-060-4-14			0.47uF	NONE			NONE					
66-XXX-060-4-06			0.47uF	0.22uF			0.22uF					

Model*	Rated Voltage 50/60Hz	Rated Current	Leakage Current (Max.)	Capacitance			Temp. Induct. (L <sub>1</sub> )	Rise (Max.)				
				C <sub>Y</sub>	C <sub>X1</sub>	C <sub>X2</sub>						
67-XXX-020-0-12	125 VAC	2A	0.04mA	330pF	0.22uF	NONE	10.5mH	40°C				
67-XXX-020-0-04					0.22uF	NONE						
67-XXX-020-0-14					0.47uF	NONE						
67-XXX-020-0-06				0.22uF	NONE							
67-XXX-020-1-12				0.22uF	NONE							
67-XXX-020-1-04				0.22uF	NONE							
67-XXX-020-1-14			0.47uF	NONE								
67-XXX-020-1-06			.005mA	NONE	0.47uF	0.22uF			0.22uF			
67-XXX-020-4-12					0.05mA	470pF			0.22uF	0.22uF	NONE	
67-XXX-020-4-04									0.22uF	0.22uF	NONE	
67-XXX-020-4-14									0.47uF	NONE	NONE	
67-XXX-020-4-06									0.47uF	0.22uF	0.22uF	
67-XXX-040-0-12		0.04mA					330pF	0.22uF	0.22uF	NONE	4.2mH	45°C
67-XXX-040-0-04			0.22uF	0.22uF				NONE				
67-XXX-040-0-14			0.47uF	NONE	NONE							
67-XXX-040-0-06			0.47uF	0.22uF	0.22uF							
67-XXX-040-1-12			.005mA	NONE	0.22uF	0.22uF		NONE				
67-XXX-040-1-04					0.22uF	0.22uF		NONE				
67-XXX-040-1-14					0.47uF	NONE		NONE				
67-XXX-040-1-06					0.47uF	0.22uF		0.22uF				
67-XXX-040-4-12					.005mA	470pF		0.22uF	0.22uF	NONE		
67-XXX-040-4-04								0.22uF	0.22uF	NONE		
67-XXX-040-4-14			0.47uF	NONE				NONE				
67-XXX-040-4-06			0.47uF	0.22uF				0.22uF				
67-XXX-060-0-12	0.04mA	330pF	0.22uF	0.22uF			NONE	1.6mH	45°C			
67-XXX-060-0-04			0.22uF	0.22uF			NONE					
67-XXX-060-0-14			0.47uF	NONE	NONE							
67-XXX-060-0-06			0.47uF	0.22uF	0.22uF							
67-XXX-060-1-12			.005mA	NONE	0.22uF	0.22uF	NONE					
67-XXX-060-1-04					0.22uF	0.22uF	NONE					
67-XXX-060-1-14					0.47uF	NONE	NONE					
67-XXX-060-1-06					0.47uF	0.22uF	0.22uF					
67-XXX-060-4-12					.005mA	470pF	0.22uF			0.22uF	NONE	
67-XXX-060-4-04							0.22uF			0.22uF	NONE	
67-XXX-060-4-14			0.47uF	NONE			NONE					
67-XXX-060-4-06			0.47uF	0.22uF			0.22uF					

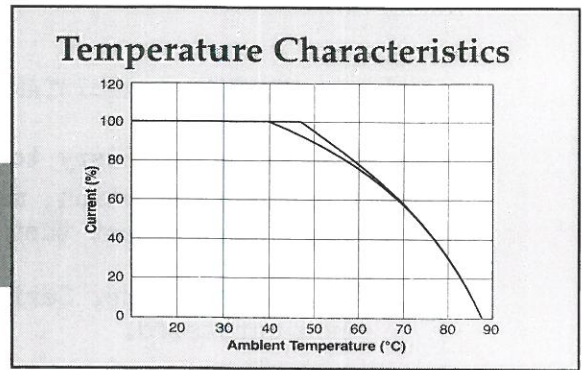
Note: Test Voltage: 1500VAC one minute, line to ground  
Insulation Resistance: 300 MΩ min. at 500VDC  
Voltage Drop: 1V max. at rated current

Weight: 130g  
Inlet: Compatible with IEC-320  
B(S) = Bolt-in terminals or (Snap-in terminals)

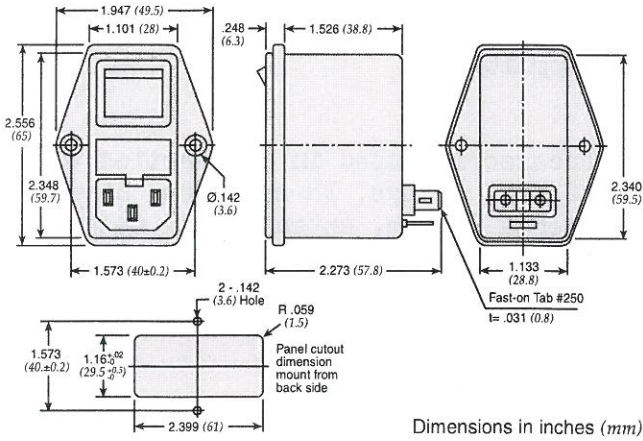
\* Substitute BSF or SSF for XXX  
BSF - Bolt-In Switched and Fused  
SSF - Snap-In Switched and Fused

# Switched and Fused Filtered Power Entry Modules

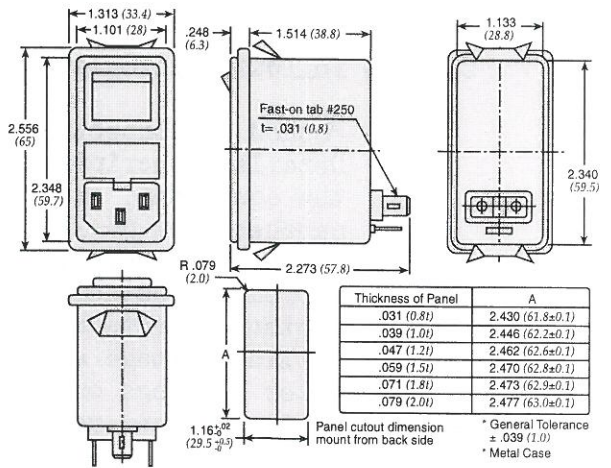
For Medical or General Purpose Applications



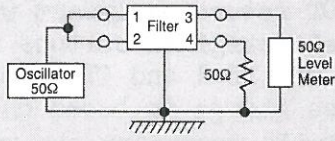
## Dimensions 66/67-BSF Series



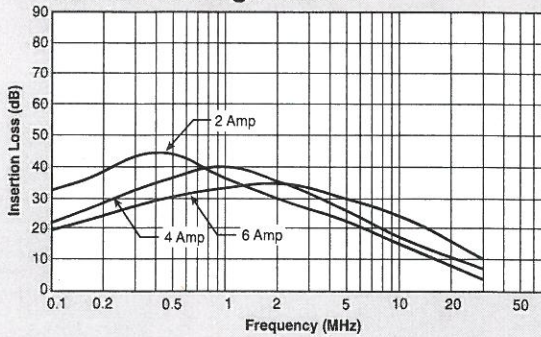
## 66/67-SSF Series



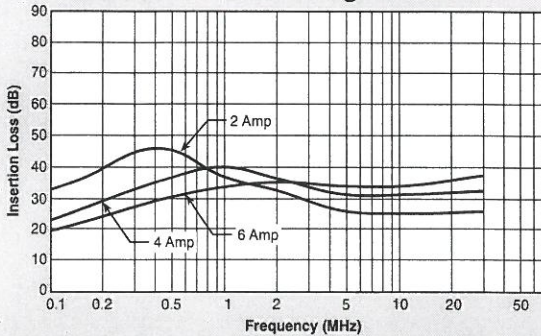
### Common Mode



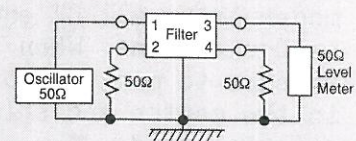
#### 0.01 mA Leakage Current



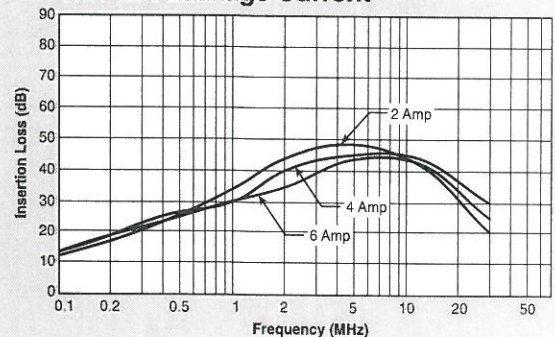
#### 0.075 and 0.1 mA Leakage Current



### Normal Mode



#### 0.01 mA Leakage Current



#### 0.075 and 0.1 mA Leakage Current

