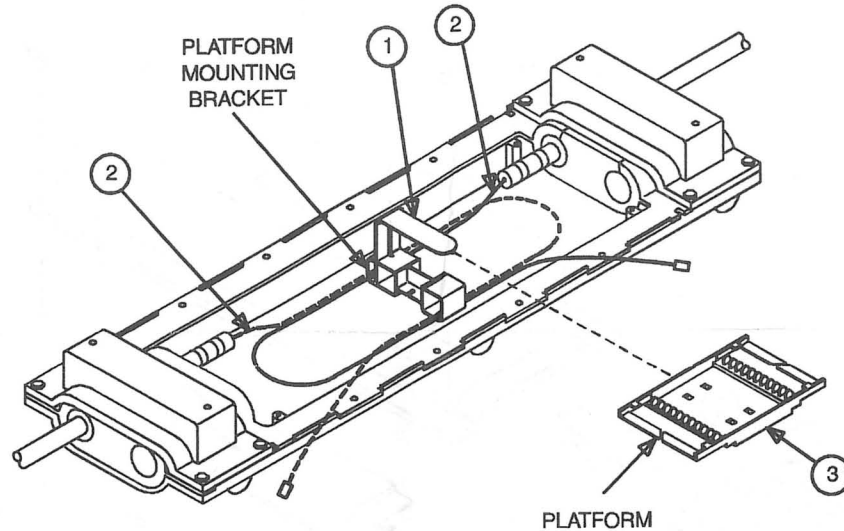
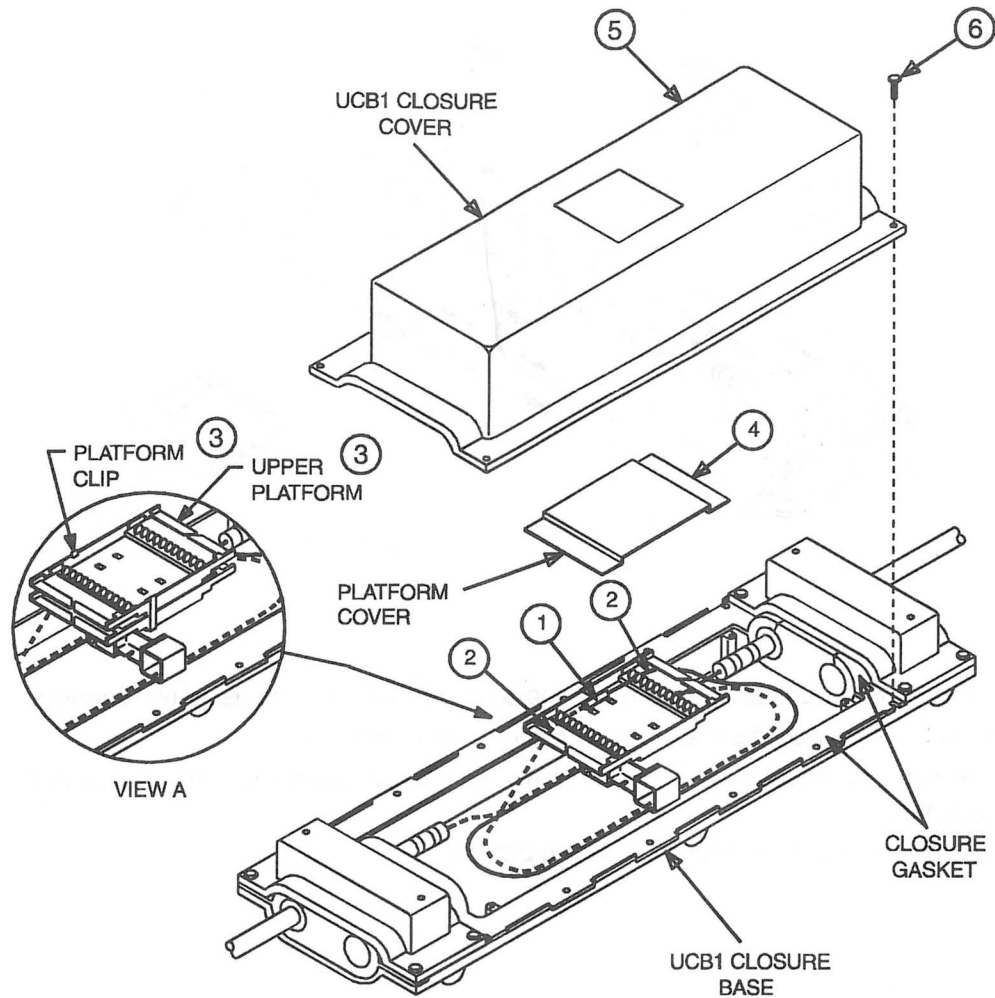


### Step 1 — Install Organizer and Route Ribbons



1. Install the platform-mounting bracket to the inside of the closure base using two screws.
2. Route the ribbons through the platform mounting bracket as shown.  
**Note:** The dash line indicates ribbon(s) from the left port and solid line indicates ribbon(s) from the right port.
3. Slide the platform onto the platform mounting bracket.

## Step 2 — Splice Ribbons and Install Cover



1. Splice ribbons as outlined in 640-252-101.
2. Route the ribbons through slots in platform and into the splice area.  
**Note:** For clarity, only one ribbon from each cable is shown.
3. **If using the UC-RR/24**, place the upper platform (View A) over the platform after completing the first 12 splices and secure the upper platform with the platform clip.
4. After splicing is completed, snap on the platform cover.
5. Apply B sealant to the underside of the cover on the areas, which contact the gasket. Also, apply B sealant to the slits in the gasket and between the gasket and the base.
6. Secure the cover to the base with twelve bolts. Torque the bolts to 75 inch-pounds.