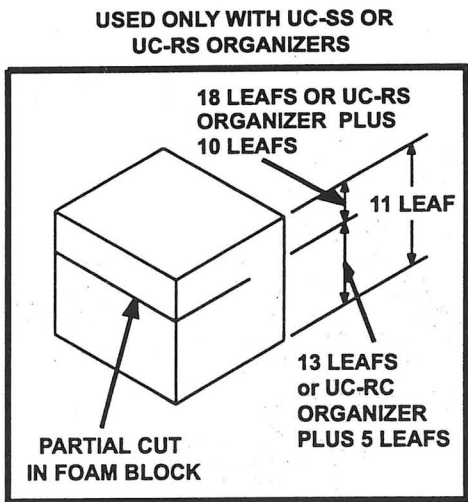
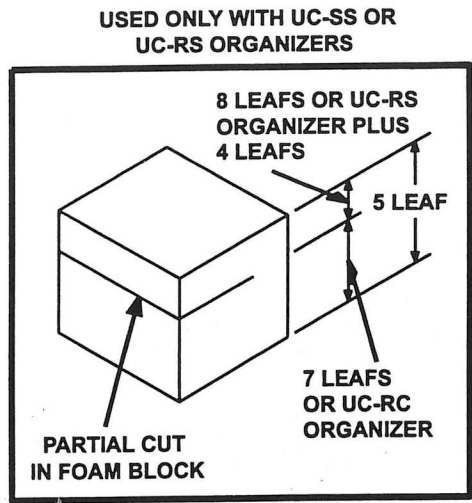
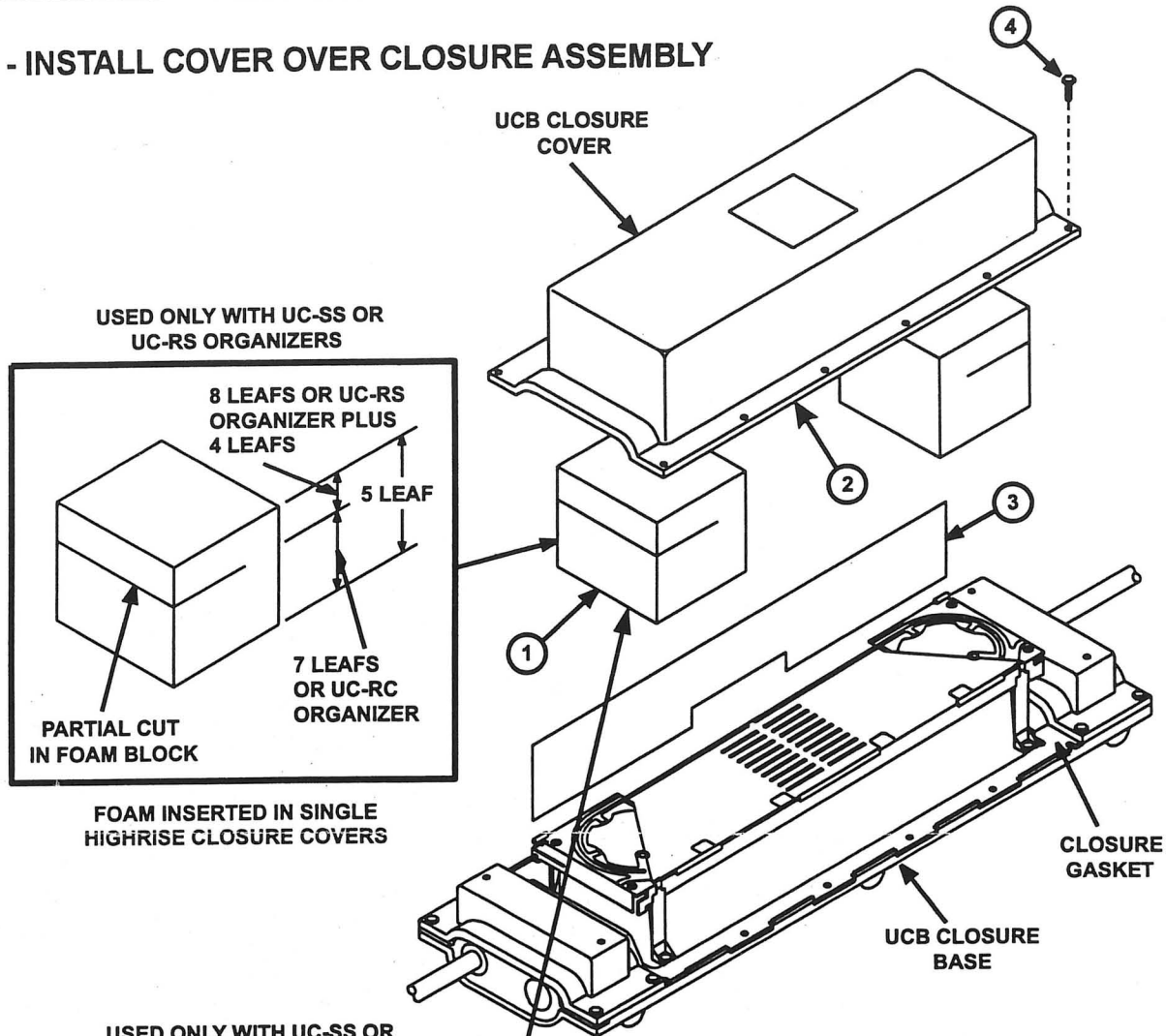


STEP 1 - INSTALL COVER OVER CLOSURE ASSEMBLY



HIGHRISE COVER COMPONENTS

- 1 Highrise cover (Single or Double)
- 1 Barrier Card
- 1 Marker

FIBER CAPACITIES

- Single Highrise Cover (12 fiber storage leaves)
- Double Highrise Cover (18 fiber storage leaves)

ASSEMBLY STEPS

1. Place the proper portion of the foam block into each end of the cover as shown.
2. Apply "B" sealant to the underside cover area which makes contact with the gasket. Also, apply "B" sealant to the slits in the closure.
3. Position the barrier card in the closure base between the closure gasket and the bundled fibers.
4. Secure the cover to the base with 12 bolts. Torque the bolts to 846 cm-N (75 inch-pounds).