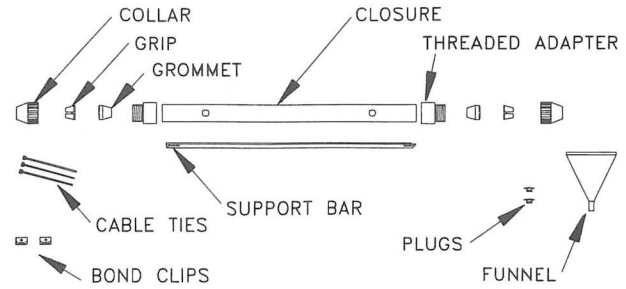


2150 LG/DR1 CLOSURE INSTALLATION

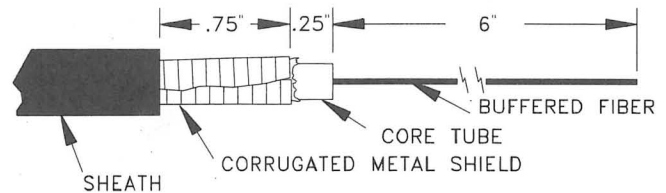
The 2150 LG/DR1 Closure is used for securing splices made with the AT&T CSL LightSplice™ System or similar non-polish mechanical splices. The closure will accommodate fiber drop cables sized from 0.25 to 0.4 inches in diameter and containing up to 4 fibers. Check the closure kit to ensure the parts shown are included.

Standard hand tools are required for assembling the closure. Other items required are 150 grams of D1000 Encapsulant and a D-182416 Kit containing adhesive. Both the encapsulant and adhesive must be ordered separately. (Commercially available PVC adhesive may also be used.)



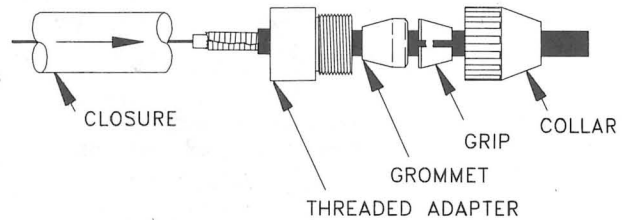
STEP 1 - PREPARING THE CABLE

1. Prepare the drop cables for splicing by exposing the fiber, core tube, and corrugated metal of each cable end to the lengths shown. (For non-metallic cables, expose 1 inch of core tube.)



2. Orient the collar, grip, grommet, and threaded adapter as shown, and slide them onto each cable end.

IMPORTANT: Orientation and sequence of parts as shown are required for proper closure assembly.



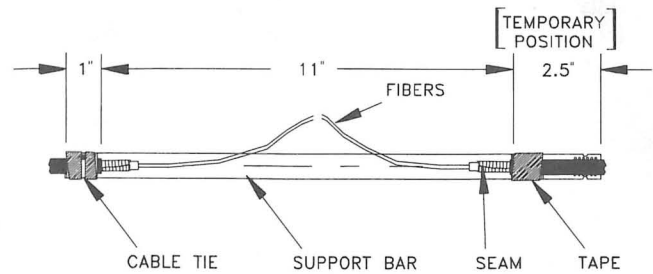
3. Slide the closure (either end) onto one of the cables far enough to allow for splicing operations.

STEP 2 - ATTACHING THE SUPPORT BAR

NOTE: During the following operations the seam of the corrugated metal **must** face out (away from the support bar).

1. Position 1 inch of the sheath of one cable into an end of the support bar and secure with three wraps of vinyl tape and a cable tie.

2. Position the other cable so that 2.5 inches of cable sheath is within the support bar. Secure with 3 wraps of vinyl tape. This is a temporary position and will be changed after the splice is completed.

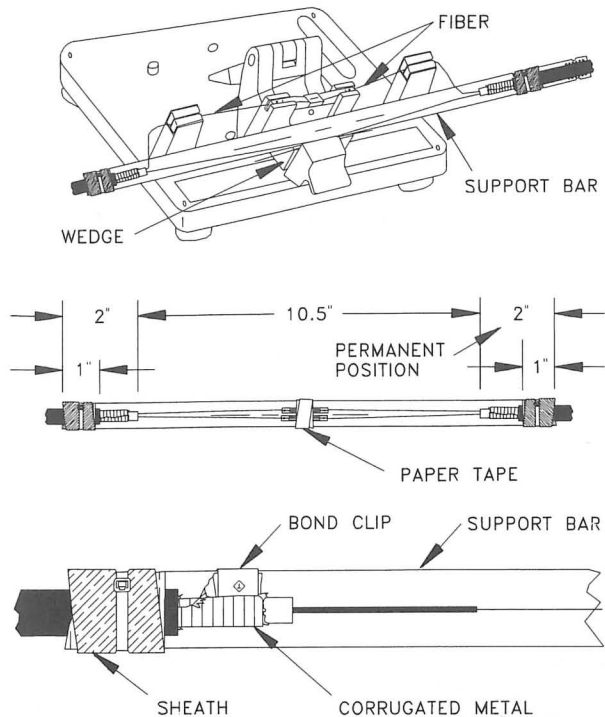


STEP 3 - SPLICING AND BONDING

1. Position the support bar onto the AT&T CSL LightSplice™ System work station and splice the fibers according to the instructions included with the work station.
2. Remove the vinyl tape from the cable in the **temporary** position. Carefully remove the slack in the fibers by sliding the cable toward the end of the support bar.

IMPORTANT: Do **not** pull the fibers taut.

3. Secure the cable into its permanent position with three wraps of vinyl tape and a cable tie. Paper tape the splices to the support bar.
4. Carefully lift the corner of the corrugated metal at the seam of both cables. Position the edge of the corrugated metal against the edge of the support bar and push the clip over them.



STEP 4 - ASSEMBLING THE CLOSURE

1. Position the closure over the support bar assembly. Apply adhesive to both ends of the closure.
2. Slide the threaded adapters onto the ends of the closure and rotate them slightly. Wait 3 minutes for the adhesive to dry.
3. Slide the grommet, grip, and collar on each cable to the threaded adapters. Thread the collars onto the adapters and hand tighten. Use pliers to tighten the collar an additional one-half turn.
4. Insert the funnel into either hole in the closure and fill the closure with 150 grams of D1000 Encapsulant. Remove the funnel and insert the plugs in the holes.

