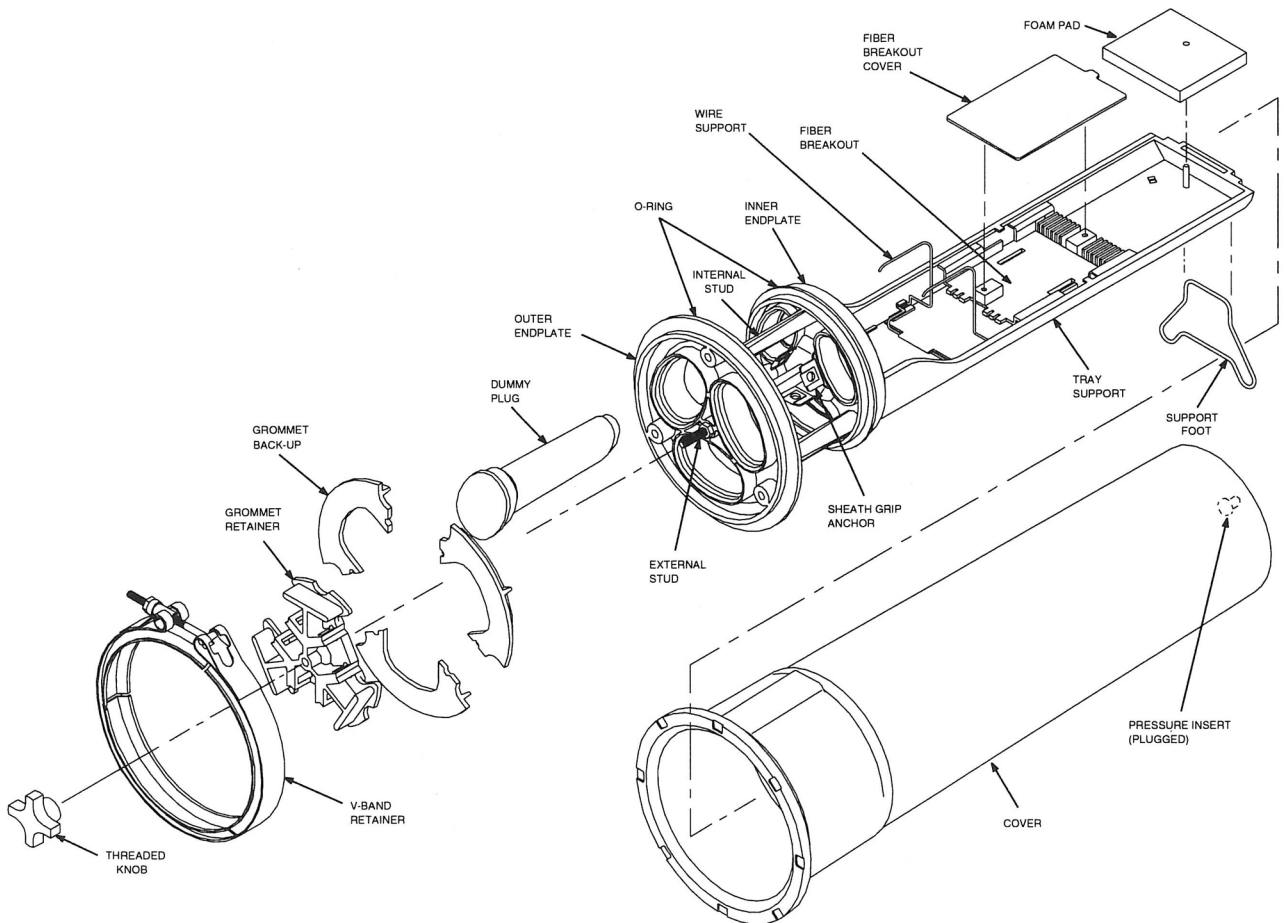


2600LG/SC FIBER OPTIC CLOSURE ASSEMBLY INSTRUCTIONS

1. GENERAL

1.1 This manual covers the description, assembly, and use of the Lucent Technologies 2600LG/SC fiber optic closure. Also covered in the manual are instructions for sheath preparation of all types of fiber optic cables and the organization of fiber splices and fiber slack within the 2600LG/SC closure.

1.2 The 2600LG/SC closure consists of the items shown below. It is comprised of a cylindrical plastic stand-alone envelope with corrosion resistant metal hardware.



2600LG/SC

2600LG/SC Fiber Optic Closure