

FOL - 6464-851T

CABLE PREPARATION

1. Remove cable sheath to expose the correct length of fiber as follows:
 - 80 inches (2.0 m) for end sheath preparation
 - 91 inches (2.3 m) between cable openings for midsheath preparation (field side fibers to be cut dead ahead)
 - 160 inches (4.0 m) between cable openings for midsheath preparation (fibers to be used in both directions).
2. For cable with metallic elements, expose 5/8 inch (16 mm) of the corrugated metal, then cut-off all external strength members (wires) to a 2-inch (5 cm) length.

Note: Detailed sheath preparation instructions for all types of cables are included in the AT&T manual "2600LG/SC1 Fiber Optic Closure, Assembly Instructions."

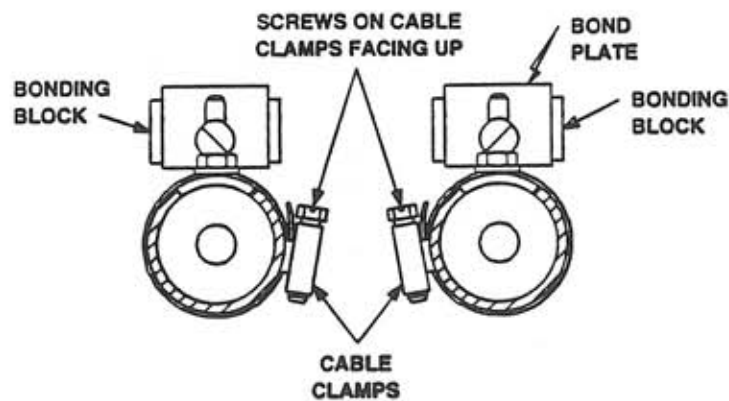
GENERAL

The 2600LG/SC1 closure is designed for two cables in each of its three ports. If only one cable will be installed in a port, the provided grommet plug is used to substitute for a second cable.

If cables being used are metallic, the D-182212 kit of parts (Comcode 105 694 038) should be installed on the cables before proceeding with the following instructions. If cables being used are dielectric, no grounding hardware will be used.

SHEATH GRIP INSTALLATION

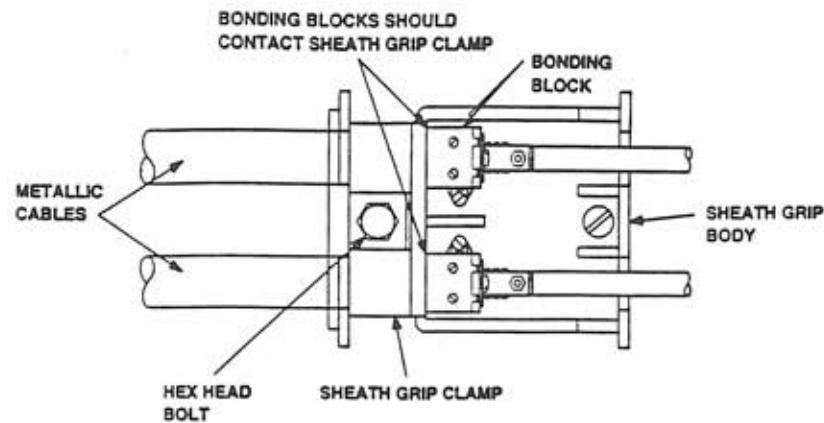
STEP 1 — ORIENT HARDWARE ON METALLIC CABLES:



tpa 708958/04

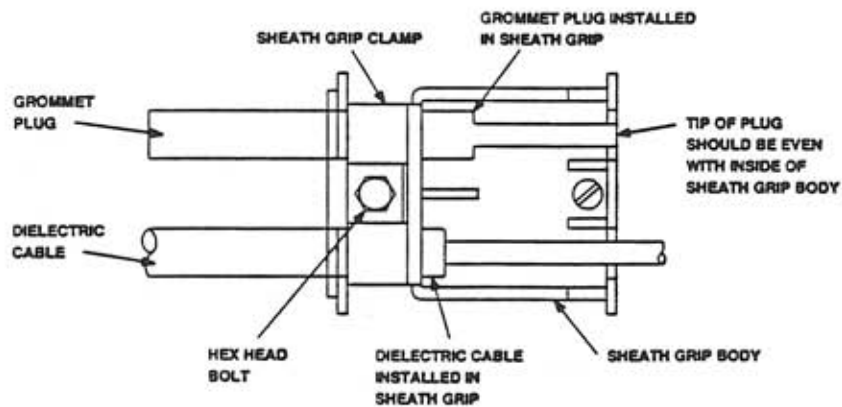
1. Observe the orientation of the bonding and grounding hardware on the cables. The bonding blocks must be on top and the screws on the clamps must face up and be adjacent to each other.

STEP 2 — SECURE SHEATH GRIP TO CABLES:



104 79025905

Sheath Grip with Two Metallic Cables

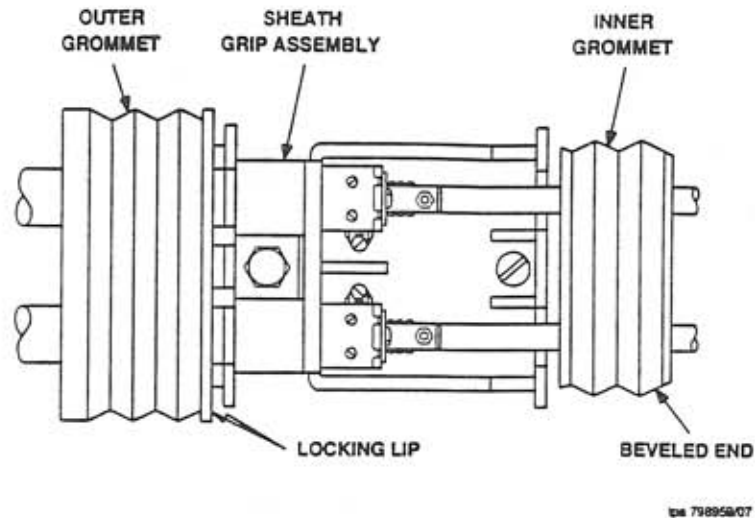


104 79025905

Sheath Grip with One Dielectric Cable and Grommet Plug

1. Disassemble the sheath grip using a 216 tool or a 7/16-inch (11 mm) hex socket. Loosen and remove the hex head bolt, then lift-off the top half of the plastic clamp (sheath grip clamp).
2. Select the proper sheath grip clamp (two are supplied) for the outside diameter of cable being used. One clamp is marked for 0.4-0.6 inch (10 -15 mm) diameter cable and the other is marked for 0.6-0.85 inch (15-22 mm) diameter cable. **The diameter scale printed on the edge of this page may be used to determine the cable diameter.**
3. Position the cables in the sheath grip body as shown.
Note: If a grommet plug is being used, position it at this time so the tip is even with the inside end of the sheath grip body.
4. Place the appropriate sheath grip clamp over the cables, reinsert hex head bolt into clamp, and tighten the bolt with the 216 tool or socket until it is lightly contacting the cables. **If metallic cables are being used, slide the cables back so that the bonding blocks are touching the edge of the top clamp.** Continue to tighten the bolt securely, but do not exceed 70 inch-pounds (7.9 N-m).
Note: Grounding and bonding is covered in STEP 7, "EXTERNAL GROUNDING (INDIVIDUAL OR ISOLATION)" and STEP 8, "COMMON BONDING."

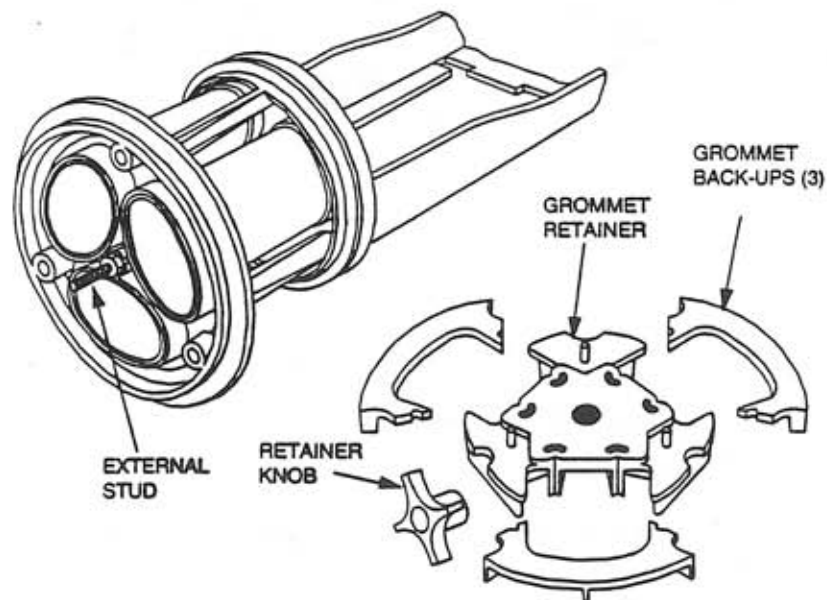
STEP 3 — INSTALL INNER AND OUTER GROMMETS:



1. Apply a thin film of B-sealant in the holes and slits of both the inner and outer grommets.
 2. Orient the grommets next to the sheath grip, with the slits facing down as shown.
 3. Open the slits and place the grommets over the cables and core tubes.
- Note:** If a grommet plug is being used, it will not enter the inner grommet at this time.

CABLE ASSEMBLY INSTALLATION

STEP 4 — REMOVE GROMMET RETAINER ASSEMBLY FROM END PLATE:

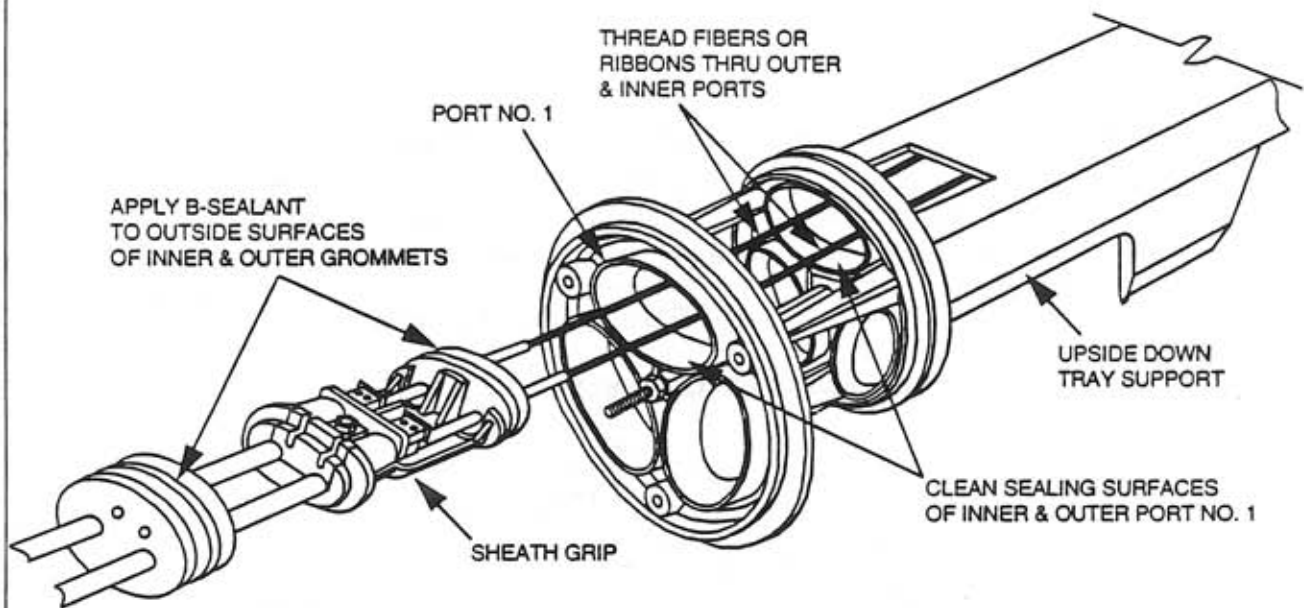


1. Remove the V-band clamp and cover from the end plate assembly.
2. Loosen and remove the retainer knob from the external stud, then remove the grommet retainer and three grommet backups from the end plate assembly.

A. PLACEMENT OF TWO CABLES INTO PORT NO. 1 (BOTTOM END PLATE PORT)

Note: When installing cable assembly, if cables are being placed into a port other than the bottom end plate port (Port No. 1) or only one cable is being placed, then follow instructions under "B. PLACEMENT OF CABLE AND GROMMET PLUG INTO END PLATE PORT OTHER THAN BOTTOM PORT", STEP 5B.

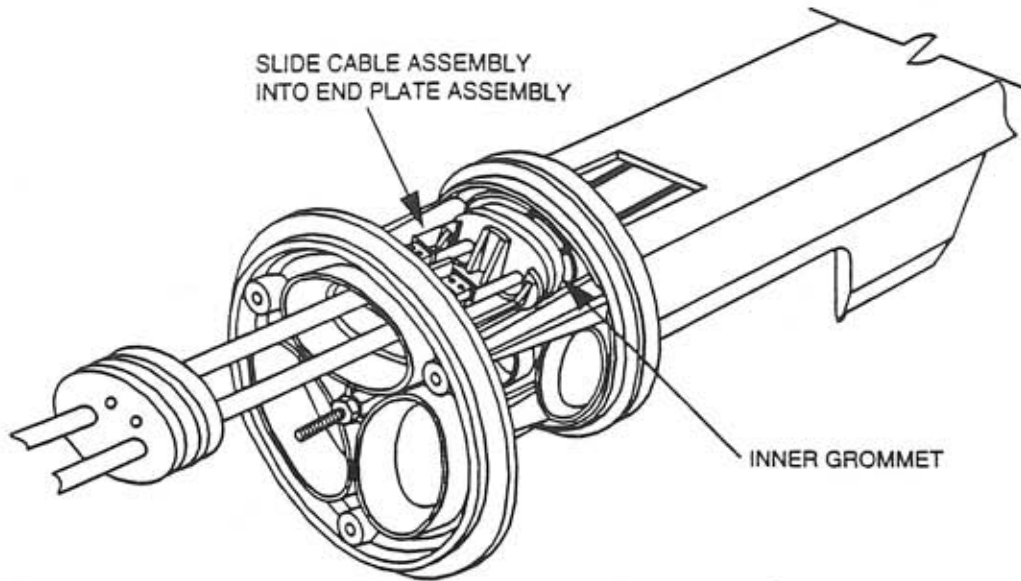
STEP 5A — PREPARE CLOSURE ASSEMBLY FOR PLACEMENT:



1. Turn the closure assembly upside down to allow installation of the first cable assembly into the bottom end plate port.
Note: The splicing tray support will be upside down.
2. Clean the sealing surfaces of the inner and outer ports in the end plate assembly so the grommets will seal properly.
3. Carefully thread the fibers or ribbons from the cable assembly through the outer and inner ports of the end plate assembly.
4. Apply a light film of B-sealant to the outside surfaces of both the inner and outer grommets.

— CONTD —

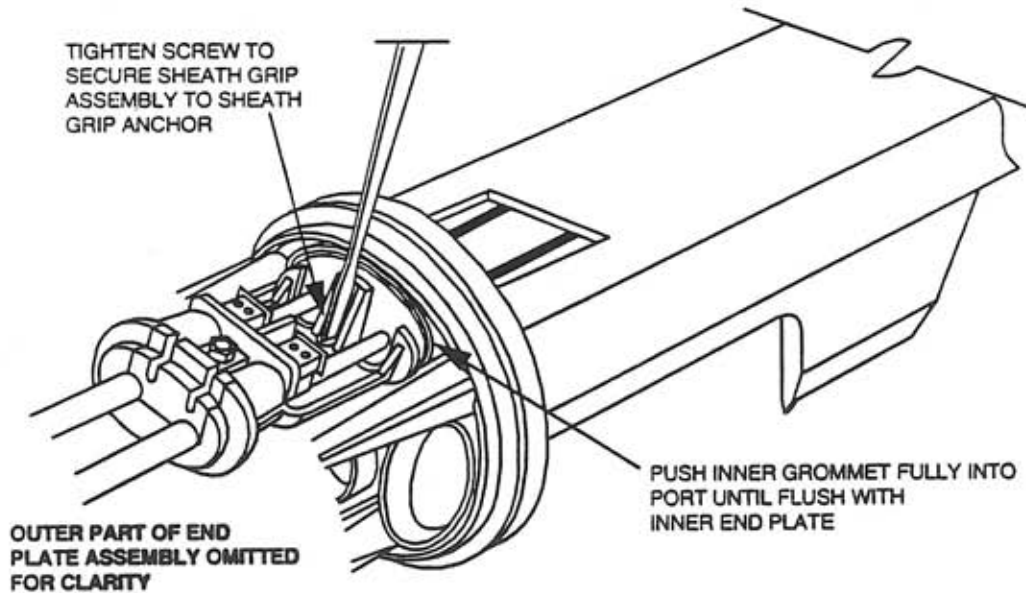
STEP 5A (CONTD) — PLACE CABLE ASSEMBLY INTO END PLATE ASSEMBLY:



1. Slide the cable assembly into the end plate assembly as shown.

Caution: Do not scrape the end plate assembly with the metal hardware on the cable assembly.

STEP 5A (CONTD) — SEAT INNER GROMMET, ATTACH SHEATH GRIP TO SHEATH GRIP ANCHOR:

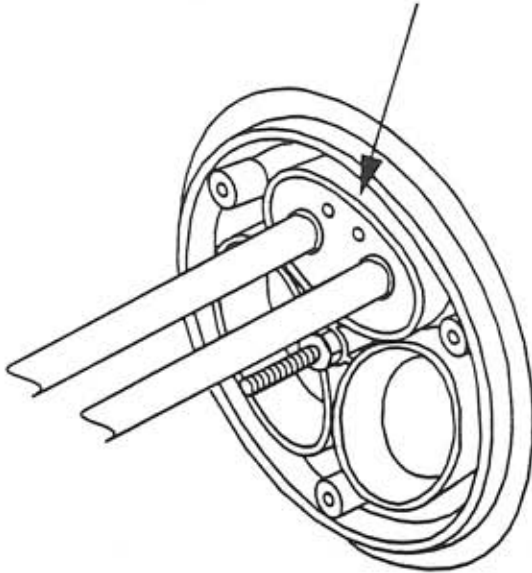


1. Push the inner grommet into the inner cable port. Use thumbs to **fully** seat the grommet flush with the inner end plate.
2. Using a screwdriver, tighten the sheet metal screw to secure the sheath grip to the sheath grip anchor.

— CONTD —

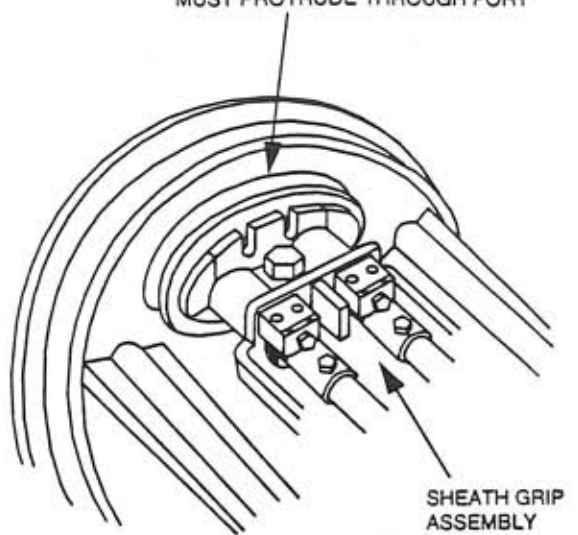
STEP 5A (CONTD) — SEAT OUTER GROMMET:

PUSH OUTER GROMMET FULLY
INTO PORT UNTIL FLUSH WITH
OUTER END PLATE



**Outer View Of Outer
End Plate Assembly**

LOCKING LIP OF OUTER GROMMET
MUST PROTRUDE THROUGH PORT

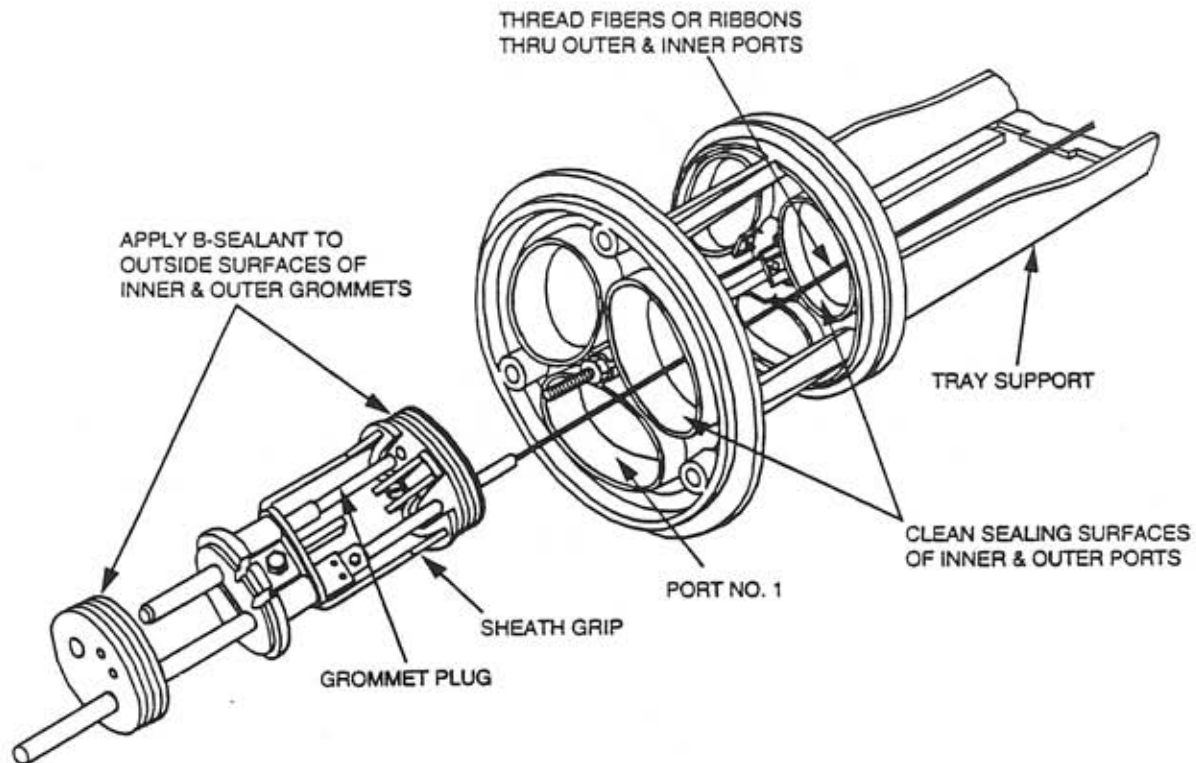


**Inner View Of Outer
End Plate Assembly**

1. Push the outer grommet into the outer cable port. Use thumbs to **fully** seat the grommet flush with the outer end plate. The front locking lip of the outer grommet must protrude through the port as shown.
2. If no other cables will be installed in closure at this time, proceed to STEP 6, "INSTALL GROMMET RETAINER COMPONENTS."

B. PLACEMENT OF CABLE AND GROMMET PLUG INTO END PLATE PORT OTHER THAN BOTTOM PORT

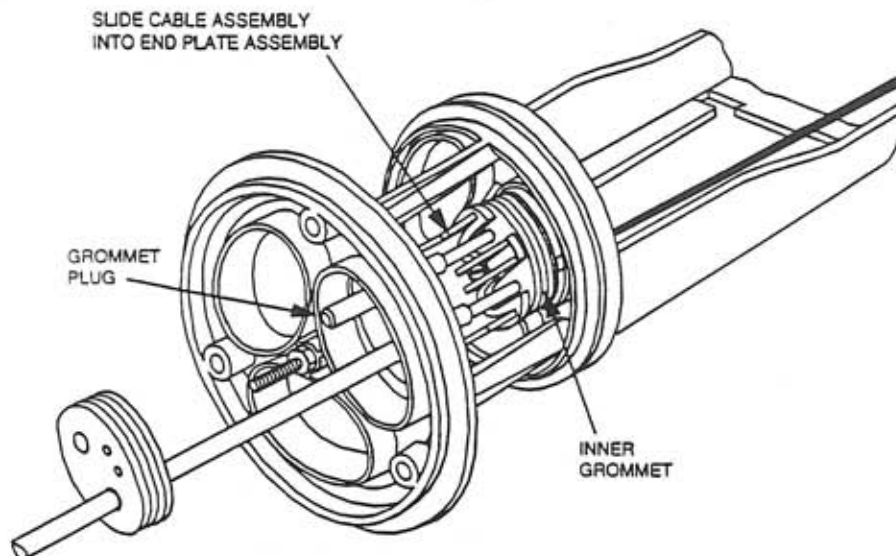
STEP 5B (CONTD) — PREPARE CLOSURE ASSEMBLY FOR PLACEMENT:



1. Remove the dummy plug and O-rings from the port to be used and discard them.
2. Clean the sealing surfaces of the inner and outer ports in the end plate assembly so the grommets will seal properly.
3. Carefully thread the fibers or ribbons from the cable assembly through the outer and inner ports of the end plate assembly.
4. Apply a light film of B-sealant to the outside surfaces of both the inner and outer grommets.

— CONTD —

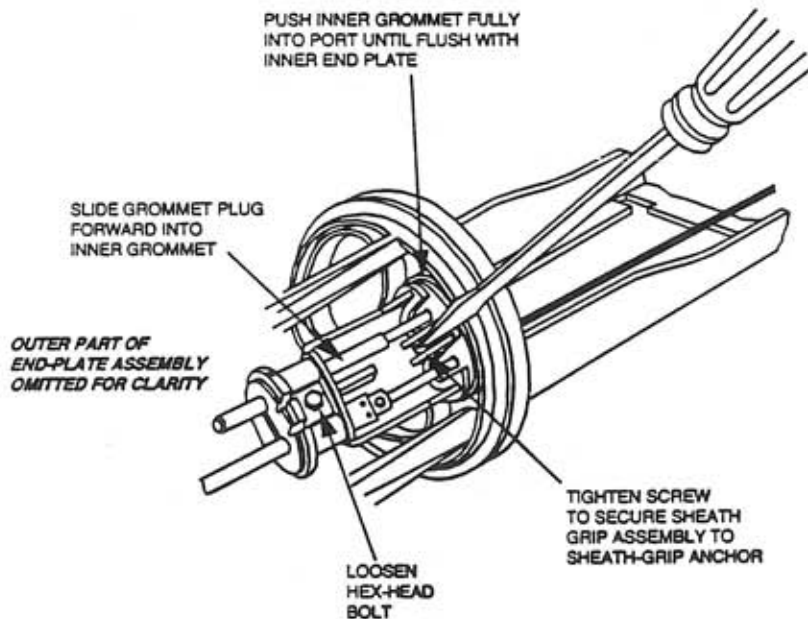
STEP 5B (CONTD) — PLACE CABLE ASSEMBLY INTO END PLATE ASSEMBLY:



1. Slide the cable assembly into the end plate assembly as shown.

Caution: Do not scrape the end plate assembly with the metal hardware on the cable assembly.

STEP 5B (CONTD) — SEAT INNER GROMMET, ATTACH SHEATH GRIP TO SHEATH GRIP ANCHOR:

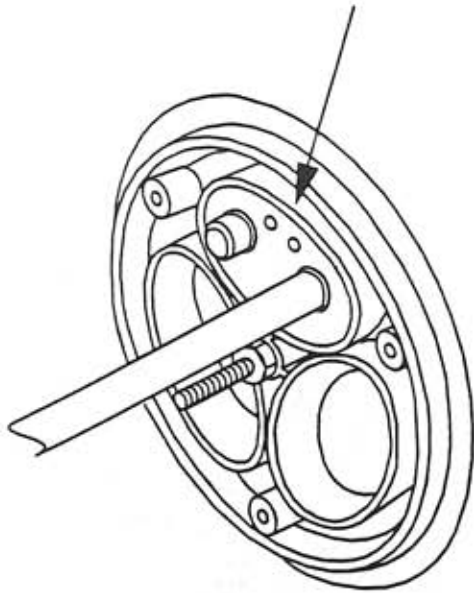


1. Push the inner grommet into the inner cable port. Use thumbs to fully seat the grommet flush with the inner end plate.
2. Using a screwdriver, tighten the sheet metal screw to secure the sheath grip to the sheath grip anchor.
3. Using the 216 tool or 7/16-inch (11 mm) socket, loosen the hex head bolt on sheath grip enough to slide the grommet plug forward into the inner grommet.
4. Tighten the hex head bolt on the sheath grip.

— CONTD —

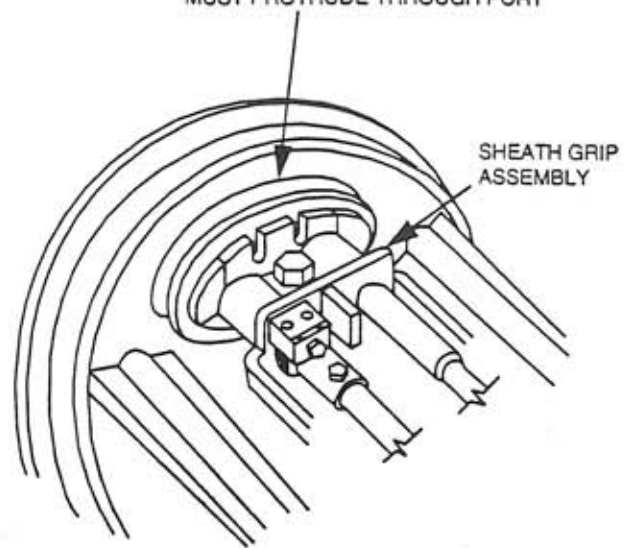
STEP 5B (CONTD) — SEAT OUTER GROMMET:

PUSH OUTER GROMMET FULLY
INTO PORT UNTIL FLUSH WITH
OUTER END PLATE



**Outer View Of Outer
End Plate Assembly**

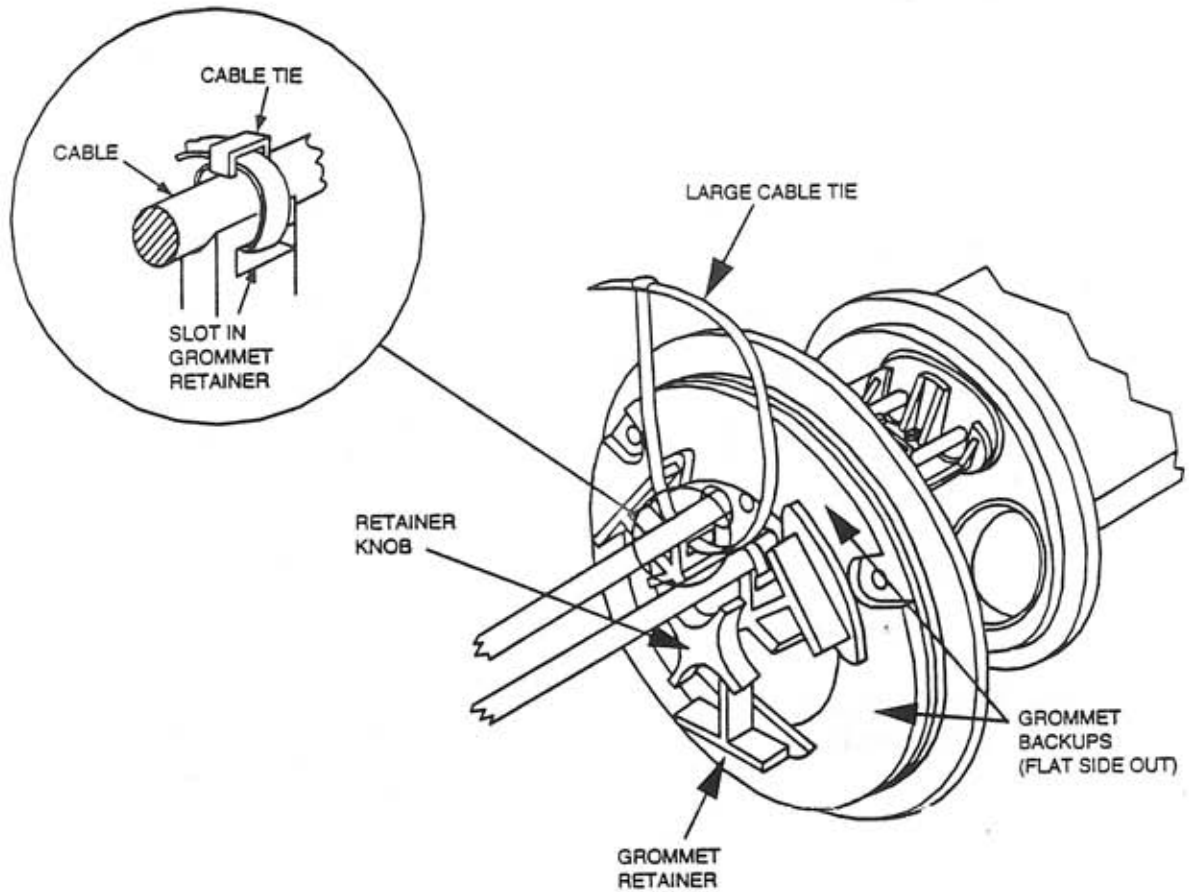
LOCKING LIP OF OUTER GROMMET
MUST PROTRUDE THROUGH PORT



**Inner View Of Outer
End Plate Assembly**

1. Push the outer grommet into the outer cable port. Use thumbs to **fully** seat the grommet flush with the outer end plate. The front locking lip of the outer grommet must protrude through the port as shown.
2. Proceed to STEP 6, "INSTALL GROMMET RETAINER COMPONENTS."

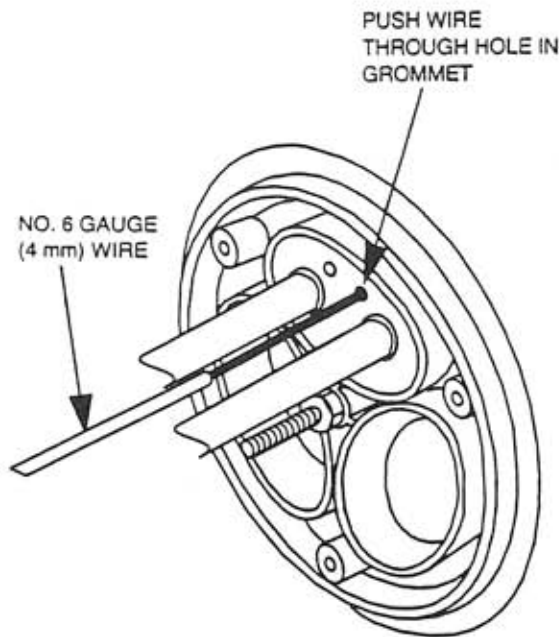
STEP 6 — INSTALL GROMMET RETAINER COMPONENTS:



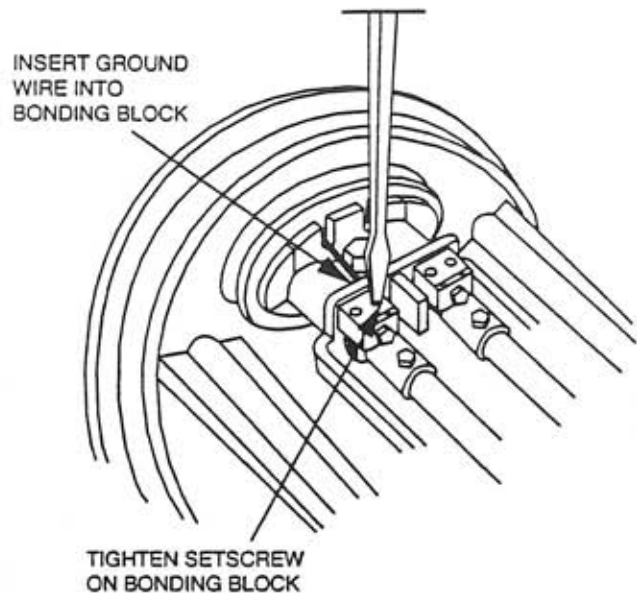
1. Assemble the three grommet backups on the end plate assembly around the cables and slide the grommet retainer over the external stud to hold them in place.
Caution: Make sure the grommet backups are seated properly.
2. Screw the retainer knob onto the external stud and tighten firmly by hand to secure the retainer assembly.
3. Using the large cable ties, secure each cable at the location provided on the grommet retainer to provide strain relief from external cable movement.

EXTERNAL GROUNDING (INDIVIDUAL OR ISOLATION) AND COMMON BONDING

STEP 7 — INDIVIDUAL OR ISOLATION GROUNDING CABLES:



**Outer View Of Outer
End Plate Assembly**



**Inner View Of Outer
End Plate Assembly**

1. Trim about 2-1/2 inches (6 cm) of insulation from the required length of No. 6 gauge (4 mm) ground wire.
2. Lubricate the end of the ground wire with B-sealant and insert the ground wire into the hole provided in the outer grommet.
3. Continue to push the ground wire to puncture the skin over the hole on the inner surface of the outer grommet.

Note: If both cables are to be separately grounded, slip a piece of black tubing over the ground wire to prevent the wire from making electrical contact with the bolt or square washer.

4. Loosen the set screw in the bonding block and insert the ground wire into the block. Tighten the set screw to secure the ground wire into the block.
5. Repeat items (1) through (4) for each cable to be individually or isolation grounded.

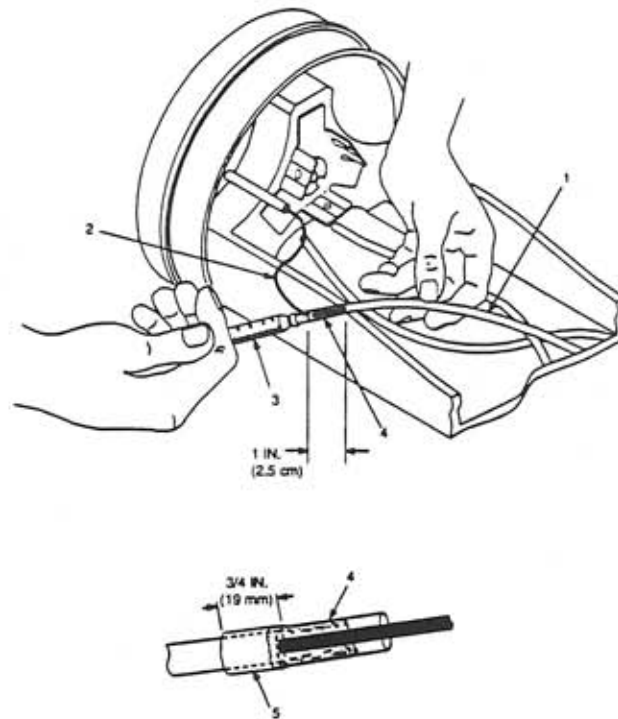
STEP 8 — COMMON BONDING CABLES:

1. If cables are to be electrically bonded inside the closure, bend short pieces of No. 6 gauge (4 mm) ground wire to fit from bonding block to bonding block.
2. Loosen the set screws in the bonding blocks and insert the pieces of No. 6 gauge (4 mm) wire, then tighten the set screws.

Note: As many cables as desired may be bonded together, one to the next.

ROUTE FIBERS TO FIBER BREAKOUT

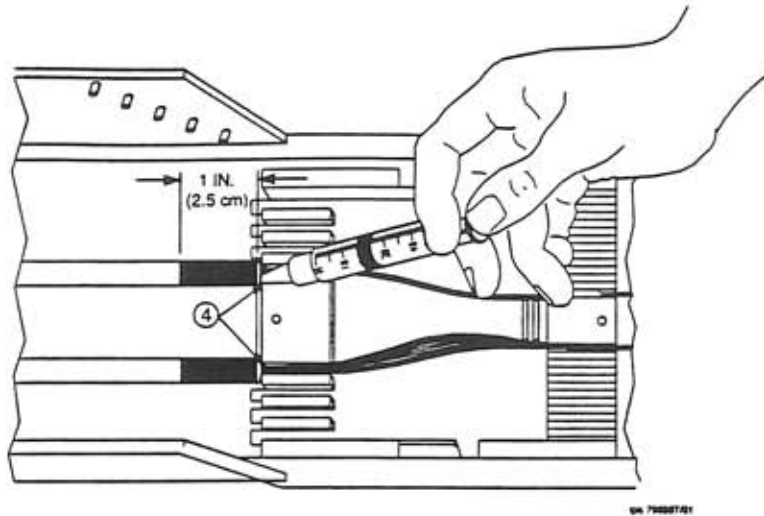
STEP 9 — PREPARE CORE TUBE BLOCKING PLUG:



Note: The support foot should be installed under tray support end to brace it while blocking the core tube.

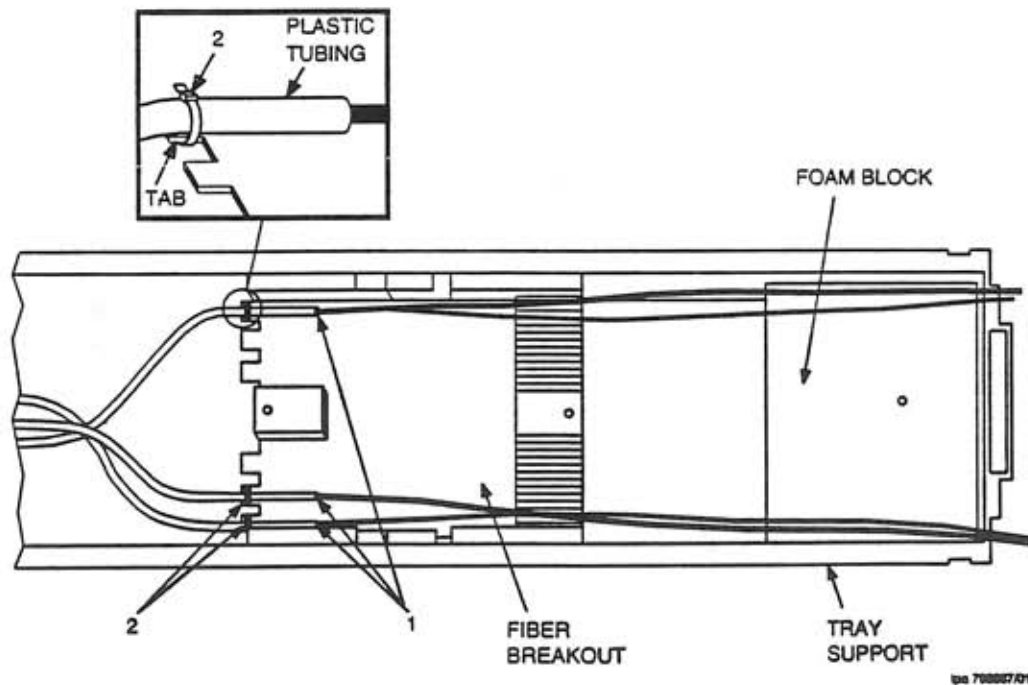
1. Select the appropriate size of clear plastic tubing to form a snug fit over the core tube of the cable.
Note: For the 0.41 inch (10 mm) diameter core tube, use the 2-inch (5 cm) long clear tube to transition to the larger 9-1/2 inch (24 cm) long clear tube.
2. Carefully thread the fibers or ribbons extending from the core tube through the appropriate clear plastic tube, then slide the tube up close to the core tube.
3. Load B-sealant into the syringe.
4. Inject about 1 inch (2.5 cm) of B-sealant into the end of the clear plastic tube.
5. Slide the tube onto the core tube about 3/4 inch (19 mm) to construct the blocking plug.

STEP 10 — PREPARE CORE TUBE BLOCKING PLUG:



Note: For cable entering the bottom end plate port (Port No. 1), the core tube(s) may be taken directly to the fiber breakout and B-sealant injected into the end(s) to form the blocking plug(s).

STEP 11 — ATTACH TUBES TO FIBER BREAKOUT:



1. Route the fibers from the CO side to one side of the fiber breakout and the fibers from the field side to the other side. Place the tubes in the fiber breakout slots, if possible. If the tubes are too big, carefully cut them so that they will butt up against the slots and lay on the tabs extending from the fiber breakout.
2. Using small cable ties, secure the tubes to the fiber breakout. Tabs extending from the fiber breakout are used for this purpose.