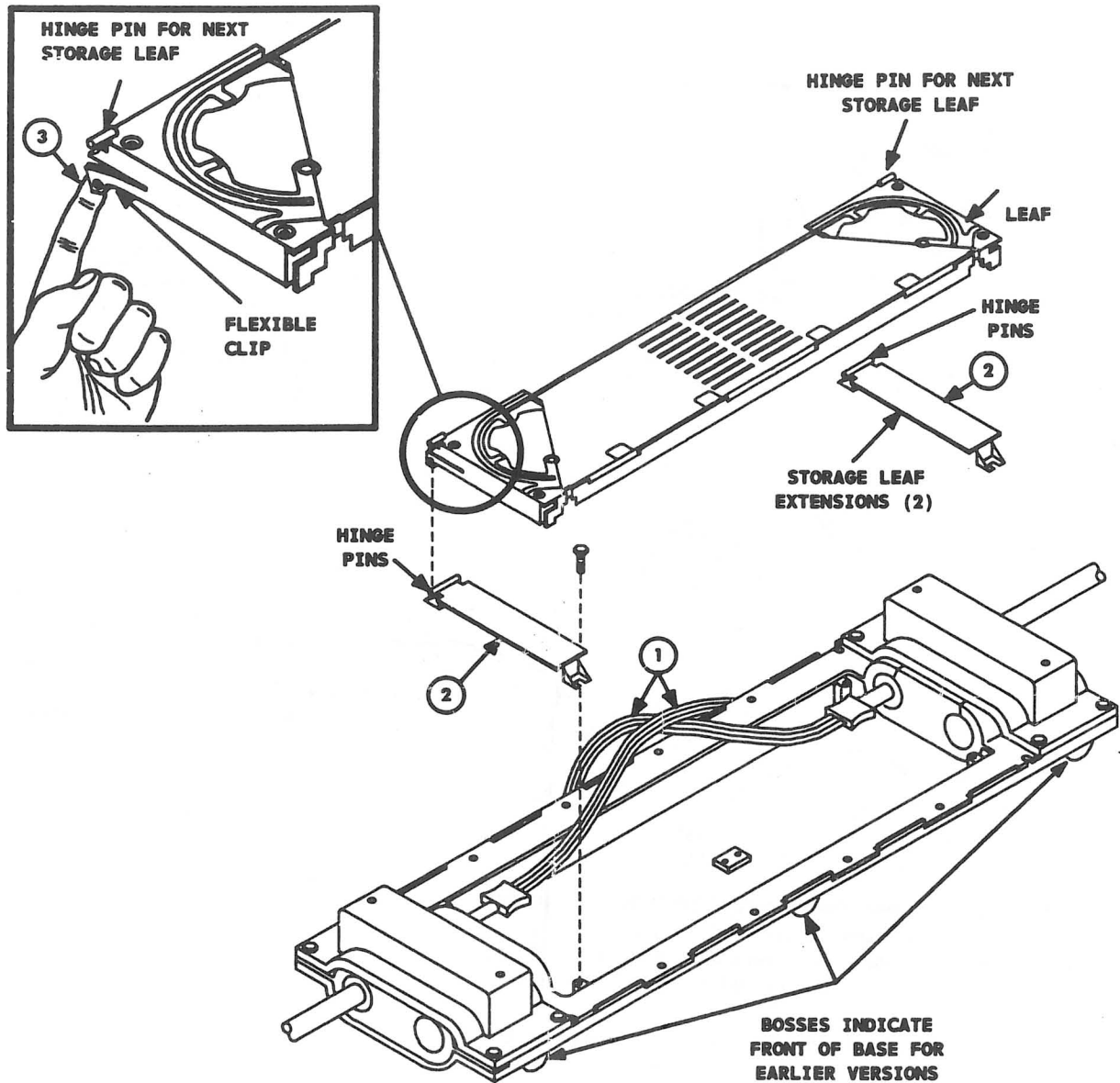
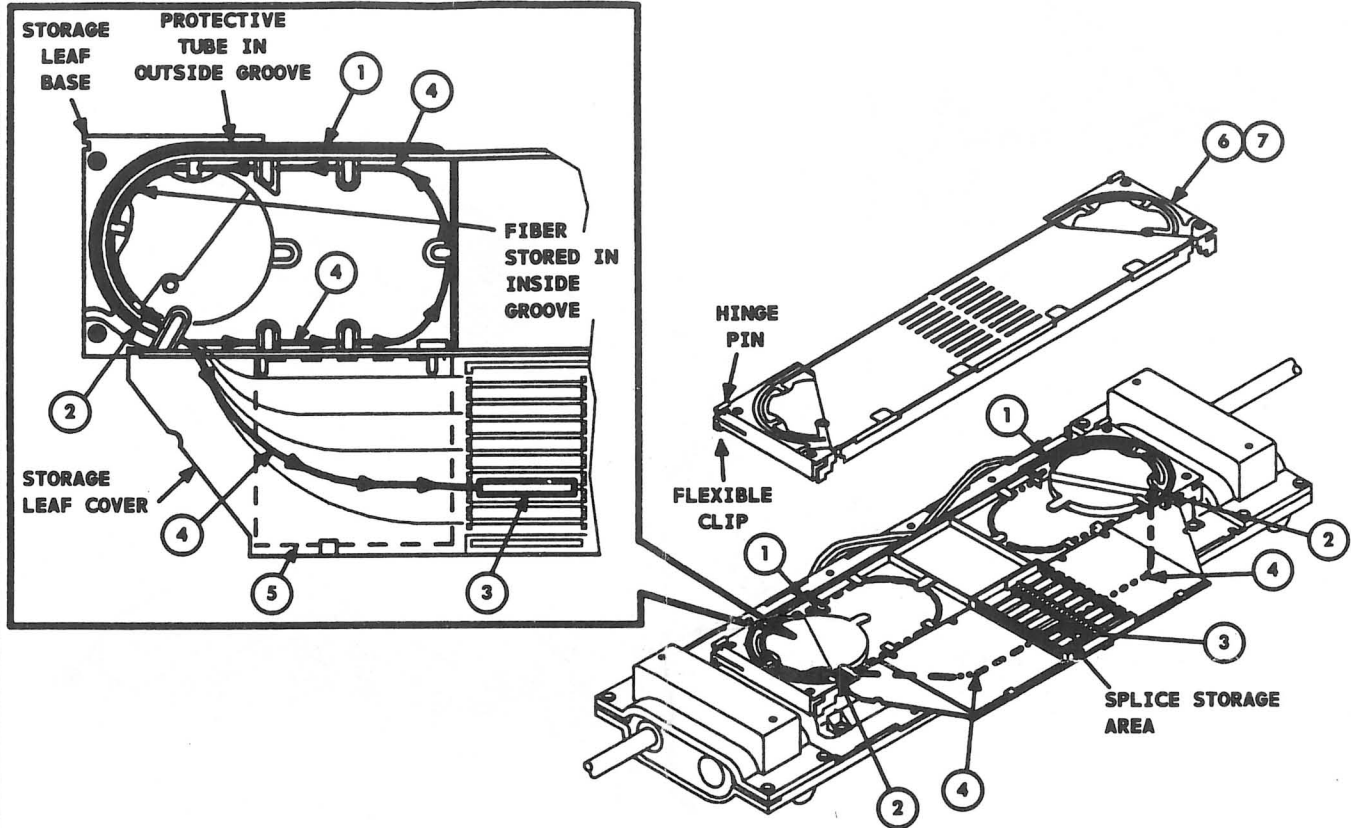


**STEP 1 — INSTALL ORGANIZER**



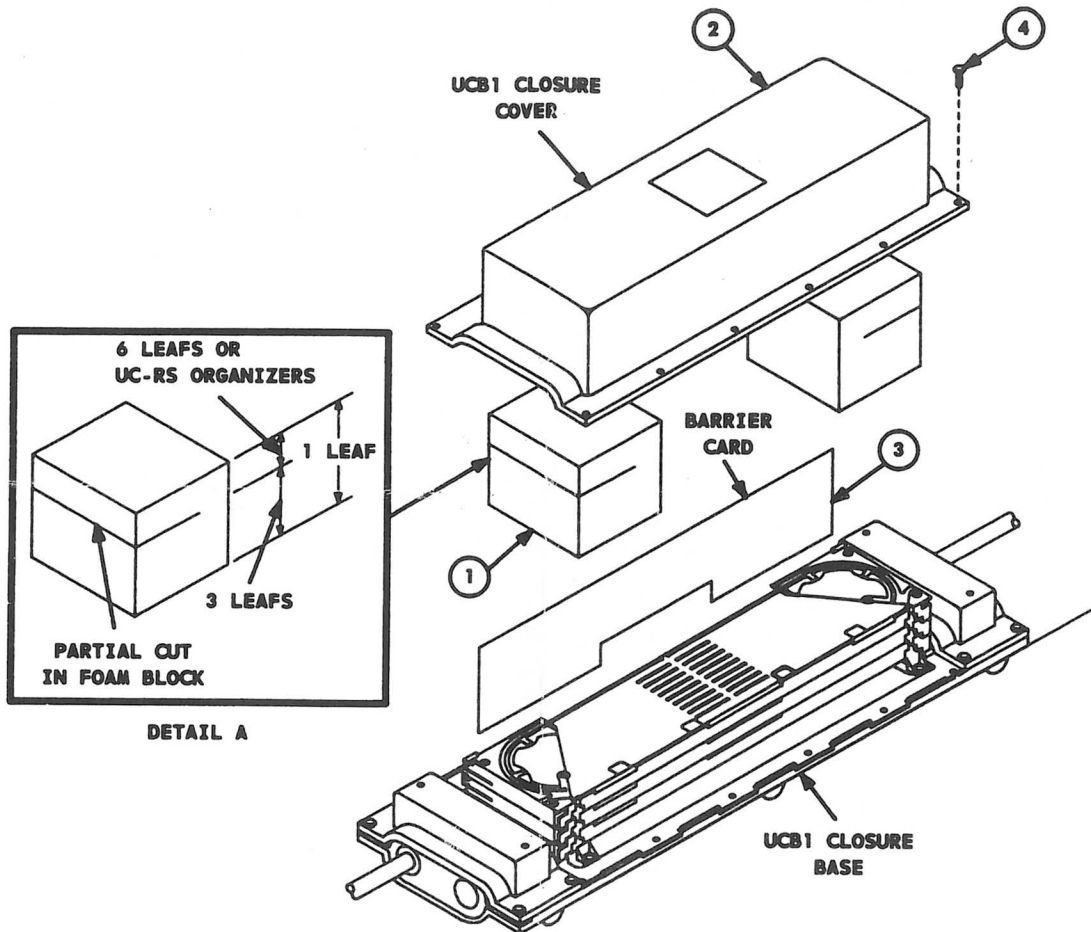
1. Position units, in their protective tube, over the rear of the closure base as shown.
2. Attach the storage leaf extensions with the hinge pins positioned toward the rear of the closure base. Four screws (two per extension) are required for attachment.
3. While holding the flexible clip on the storage leaf outward, attach the leaf to the hinge pins on the storage leaf extension. Then, lower the storage leaf into position.

**STEP 2 — ROUTE FIBERS**



1. Route one unit from each cable to rear of the closure and up onto the storage leaf base.  
**Note:** When splicing contains buffered fibers, route the buffered fibers into the outside groove of the storage leaf base (12 fibers maximum) and insert a 4-inch long piece of protective tube into the groove to keep the buffered fibers in place. To control the buffered fibers routed from the cable to the storage leaf, group the buffered fibers together with a short piece of tape.
2. Starting at the point shown, press the protective tube containing the fibers into the outside groove of the storage leaf base. Measuring from the protective tube, trim the fiber to 32 inches.
3. Splice the fibers as outlined in AT&T Practice 640-252-151 (mechanical) or 640-252-176 (rotary). Support the cover when inserting the splice into the storage area.  
**Note:** For rotary splices, open slot of alignment sleeve must face upward.
4. Store the fiber slack in the inside groove of the storage leaf cover. Use the lines on the cover as a guide for proper fiber dress.
5. Place the retaining cards over the loose fibers on each side of the splice storage area.
6. Close the cover and attach the next storage leaf.
7. Repeat Step 2 (1 through 5) above and add another storage leaf. Repeat these steps until all units are routed and all fibers are spliced.

**STEP 3 — INSTALL CLOSURE COVER**



1. Place the proper portion of a foam block into each end of the cover (see Detail A).
2. Apply B-sealant to the underside of the cover on the areas which contact the gasket. Also, apply B-sealant to the slits in the closure gasket and between the gasket and the base.
3. Position the barrier card in the closure base between the closure gasket and the bundled fibers.
4. Using twelve bolts, secure the closure cover to the closure base. Torque the bolts to 75 inch-pounds.