

Vuemaster®

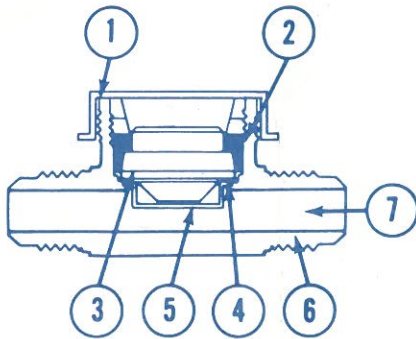
LIQUID INDICATORS and LIQUID-MOISTURE INDICATORS



U.S. Patent No. 3,000,345
Other patents applied for.

The Vuemaster® liquid indicators and liquid-moisture indicators show complete system condition at a glance. When the system is adequately charged, the word FULL appears clearly in the sight glass. Liquid-moisture indicators, in addition, display a pink warning signal if excessive moisture is present in the refrigerant. All of the Vuemaster models are designed for use in systems charged with refrigerants R-12, R-22 or R-502.

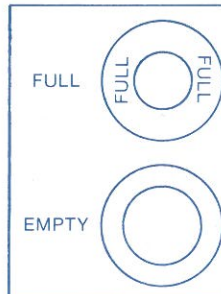
Plastic dust covers keep the Vuemaster sight port clean for positive legibility. The Vuemaster is rated at 500 PSI, maximum operating pressure, 2500 PSI, minimum bursting pressure. End connections of liquid-moisture indicators are capped or plugged at the factory to insure freshness at the time of installation. Do not remove these until ready to install.



design features

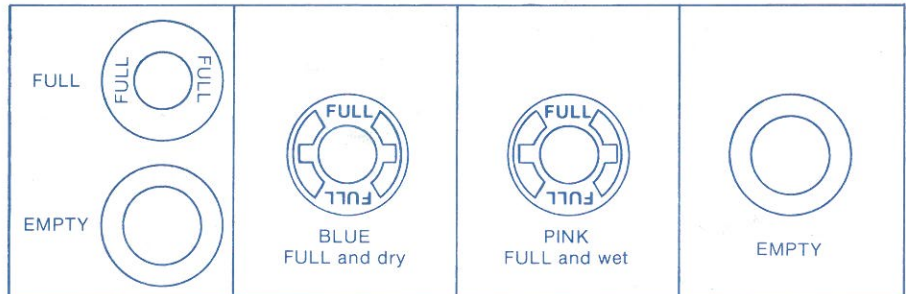
1. Plastic dust cover.
2. Special high temperature neoprene seal.
3. Large, self-cleaning, crystal clear molded sight glass.
4. Seal gasket — flat, asbestos-reinforced neoprene ring.
5. Indicator clip — allows full visibility of refrigerant flow. Indicates fullness of the system and moisture condition of R-12 R-22 and R-502 refrigerants.
6. Forged brass body.
7. Liquid moisture end fittings are capped or plugged to insure factory-fresh condition on delivery.

LIQUID INDICATOR



The Vuemaster Liquid Indicator: Reads "FULL" when the system is fully charged. It remains blank when there is a shortage of refrigerant in the liquid line.

LIQUID-MOISTURE INDICATOR



The Vuemaster Liquid-Moisture Indicator: In addition to furnishing information on the refrigerant supply, changes color from blue to pink when excessive moisture is present in the system.

TO INSTALL

May be installed at any point in the liquid line. Be sure sight port is easily accessible. All models are shipped from the factory completely assembled and ready for use. The bodies of solder-type indicators should be wrapped in a wet cloth before soldering to prevent damage from overheating. If indicator is to be soft-soldered, we recommend using Mueller Brass Co. Streamline No. 95 solder with Streamline No. 50 flux. Apply only enough heat to permit the introduction of the solder. **DO NOT OVERHEAT.** If indicator is to be silver brazed, use Streamline No. 122 silver brazing alloy and silver brazing flux. Apply heat to the fitting end in such a way that the flame is directed away from the body. Allow to cool at room temperature. **DO NOT QUENCH.**