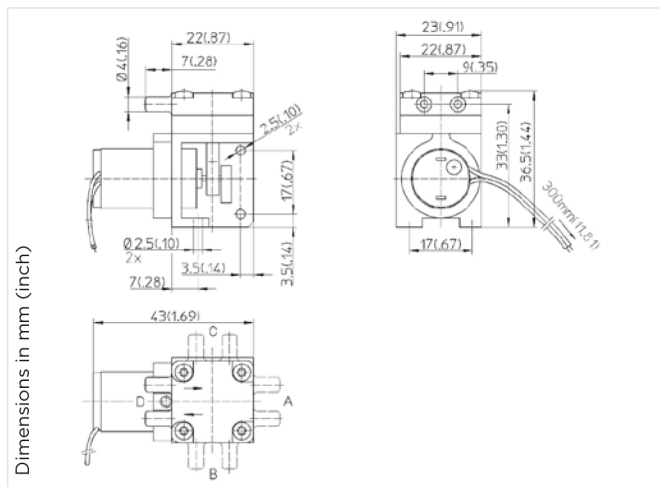


Diaphragm Pump 3003 VD DC

Flow	1000 ml/min
Max. pressure	650 mbar
Max. vacuum	38 %



PNEUMATIC DATA

Description		3003VD/0.7/E/DC	3003VD/0.7/E/DC	3003VD/0.7/E/DC
Part number	4.5 V	30030506	30030511	30030509
	6.0 V			
	12.0 V			
Max. flow		850 ml/min	850 ml/min	1000 ml/min
Max. intermittent duty		650 mbar	650 mbar	650 mbar
Max. continuous pressure		200 mbar	200 mbar	200 mbar
Max. restart pressure		200 mbar	200 mbar	200 mbar
Max. vacuum		38 %	38 %	38 %
Max. restart vacuum		20 %	20 %	20 %

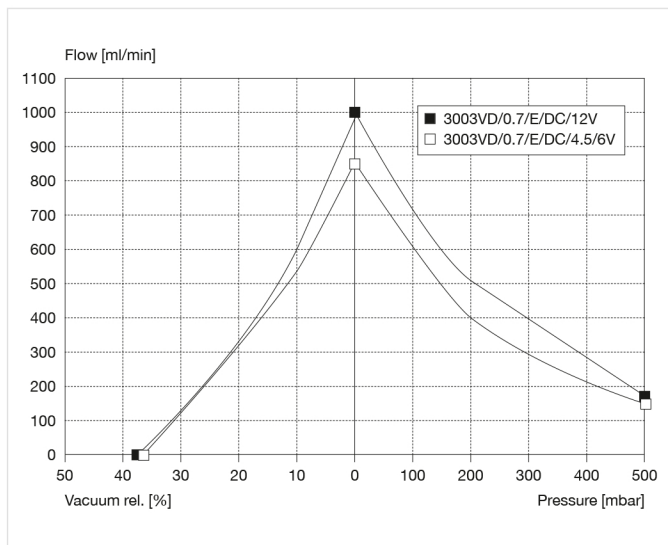
ELECTRICAL DATA

Motor type		Ironless core DC	Ironless core DC	Ironless core DC
Power consumption		473 mW	480 mW	792 mW
Protection class		IP00	IP00	IP00
Bearing type		Sleeve bearing	Ball bearing	Sleeve bearing

GENERAL DATA

Ambient temperature		10 to 50 °C	10 to 50 °C	10 to 50 °C
Media temperature		10 to 50 °C	10 to 50 °C	10 to 50 °C
Weight		40 g	40 g	40 g
Port direction		D	D	D

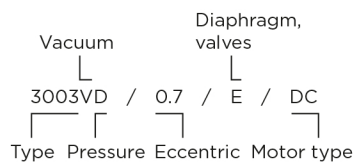
FLOW CURVES



WETTED PARTS

WETTED PARTS		OPTIONS	
Pump head	PF		
Diaphragm plate	PA		
Diaphragm, valves	EPDM		FKM, Silicone
Diaphragm screw	SST		

Model key:



3003... Stock programme