

GLASS ION GAUGE VACUUM SENSOR TUBES

FILAMENTS & BULBS EXPLAINED



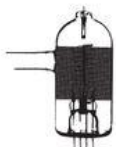
10 milliamps

I

Iridium Filament:

Thoria coated single filament in each tube

- "Non-burnout" type; occasional exposure to atmosphere during operation will not damage or shorten filament life
- Filament easily poisoned by back-streaming of oil from diffusion pump
- 4-pins



10 milliamps

C

Coated Bulb:

Platinum film on the inside

- Coating prevents non-uniform static charge inside the bulb
- Helpful only at pressures of 10^{-4} torr range and up
- Iridium filament
- 4-pins



8 milliamps

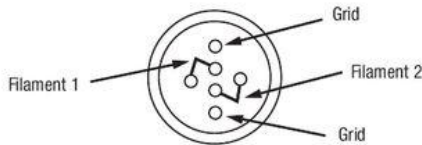
T

Tungsten Filament:

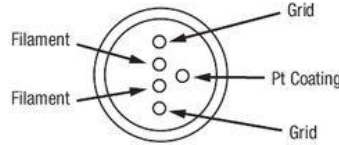
Two filaments in each tube

- Instant burnout occurs if let up to air while hot
- Preferred in vacuum system with heavy backstreaming of oil from diffusion pump
- 6-pins

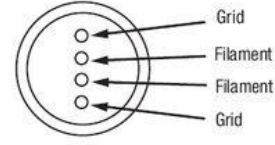
FILAMENT / PIN PATTERNS



- Tungsten Filament Pin Pattern fits the "old-style" connectors but requires a wire "jumper" from D to E

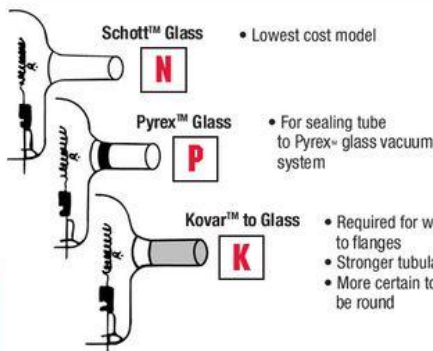


- Broad Range Iridium Filament Pin Pattern "old-style" connectors but requires a ground connection to the Pt Coating



- Iridium Filament Pin Pattern is the same for all manufacturers

TUBE & TUBULATIONS EXPLAINED



Schott™ Glass

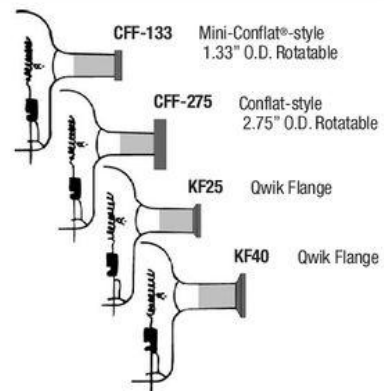
- Lowest cost model

Pyrex™ Glass

- For sealing tube to Pyrex- glass vacuum system

Kovar™ to Glass

- Required for welding to flanges
- Stronger tubulation
- More certain to be round



CFF-133

- Mini-Conflat®-style
- 1.33" O.D. Rotatable

CFF-275

- Conflat-style
- 2.75" O.D. Rotatable

KF25

- Owik Flange

KF40

- Owik Flange

VACUUM GAUGES

www.duniway.com

800-446-8811

Catalog Page 110 – Vacuum Gauges