

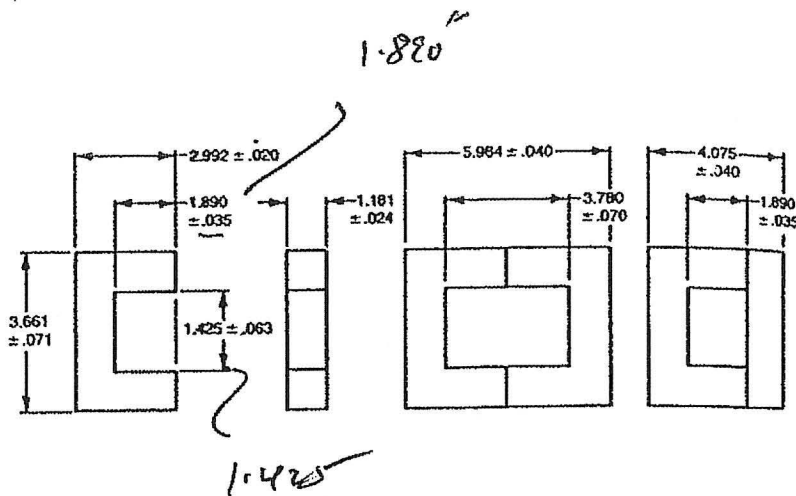
# 4 SERIES 1F4 U CORES

3000086 SHT 2 of 2

## Mechanical Data

### Effective Core Set Parameters

CORE SET		U-U	U-I
MAGNETIC PATH LENGTH	$l_e$	13.94 in. 35.4 cm	10.15 in. 25.8 cm
CORE CONSTANT	$\Sigma \frac{l_e}{A_e}$	10.715 in. <sup>-1</sup> 4.199 cm <sup>-1</sup>	7.826 in. <sup>-1</sup> 3.082 cm <sup>-1</sup>
EFFECTIVE CORE AREA	$A_e$	1.301 in. <sup>2</sup> 8.43 cm <sup>2</sup>	1.297 in. <sup>2</sup> 8.37 cm <sup>2</sup>
EFFECTIVE CORE VOLUME	$V_e$	18.13 in. <sup>3</sup> 296.3 cm <sup>3</sup>	13.17 in. <sup>3</sup> 215.5 cm <sup>3</sup>
WEIGHT		52.9 oz. 1512 Grams	39.2 oz. 1121 Grams



## Electrical Data

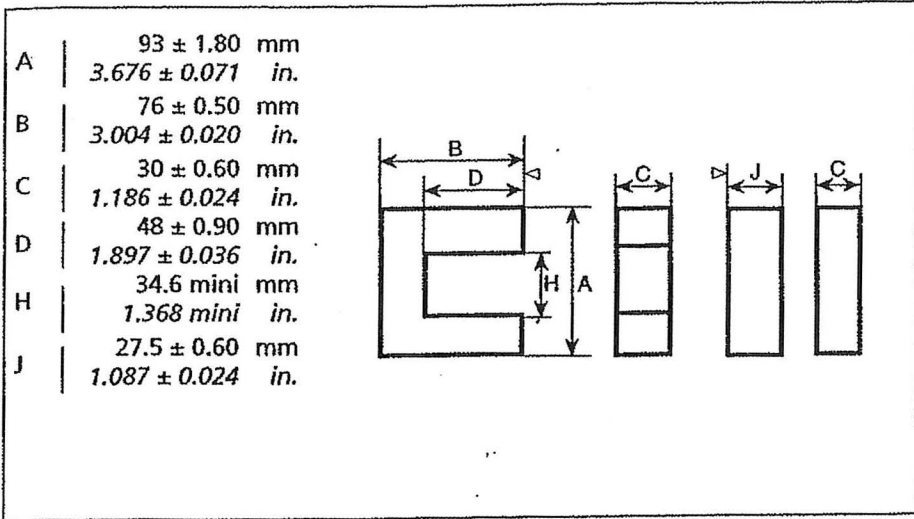
CORE PART NO.	CORE MATERIAL	$A_L$ (mH PER 1000 TURNS)	$\mu_e$ (REF.)	MIN. $A_L$ B = 3000G & 100°C	MAX. LOSSES B = 2000G 16kHz & 100°C
1F4-3C8	3C8	4500 MIN.	1500	3300	29.6W
1F4-3C8	3C8	6140 MIN.	1500	4475	21.5W
1B4-3C8					

\*Part number for U core half is 1F4-3C8.  
Part number for I core is 1B4-3C8.

Refer U 93/76/16  
Pg #617  
Use 3C85  
R 08/20/09  
AL = 3400 HACE

# UI 9330 A

● DIMENSIONS



EFFECTIVE CORE PARAMETERS			
Permeance factor	c	4.2	nH
Core constant	c <sub>1</sub>	0.30 7.60	mm <sup>-1</sup> in. <sup>-1</sup>
Effective magnetic path length	l <sub>e</sub>	255 10.039	mm in.
Effective core area	A <sub>e</sub>	856 1.327	mm <sup>2</sup> in. <sup>2</sup>
Minimum core area	A mini		mm <sup>2</sup> in. <sup>2</sup>
Effective core volume	V <sub>e</sub>	218000 13.30	mm <sup>3</sup> in. <sup>3</sup>
Weight per set	W	1100 38.80	g oz.

● ELECTRICAL DATA

			MATERIAL	
			B1	B2
A <sub>L</sub> (nH) ± 25 %	Without airgap	25°C	8400	7500
μ <sub>e</sub>	Approx.	25°C	2000	1800
μ <sub>a</sub>	Flux density at	320 mT	100°C	> 1000
		340 mT	100°C	> 1500
Total losses (W)	16 kHz - 200 mT	100°C	< 25	
		100 kHz - 100 mT	100°C	
Codification	P/N		B1UI9330A	B2UI9330A



SMPS

SHEET 3 of 3

# U - 9330 B

## ● DIMENSIONS

A	93 ± 1.80 mm 3.676 ± 0.071 in.
B	76 ± 0.50 mm 3.004 ± 0.020 in.
C	30 ± 0.60 mm 1.186 ± 0.024 in.
D	48 ± 0.90 mm 1.897 ± 0.036 in.
H	34.6 mini mm 1.368 mini in.
I	28 ± 0.50 mm 1.107 ± 0.020 in.

EFFECTIVE CORE PARAMETERS			
Permeance factor	c	3	nH
Core constant	c <sub>1</sub>	0.42 mm <sup>-1</sup> 10.67 in. <sup>-1</sup>	
Effective magnetic path length	l <sub>e</sub>	355 mm 13.976 in.	
Effective core area	A <sub>e</sub>	840 mm <sup>2</sup> 1.302 in. <sup>2</sup>	
Minimum core area	A <sub>mini</sub>		mm <sup>2</sup> in. <sup>2</sup>
Effective core volume	V <sub>e</sub>	300000 mm <sup>3</sup> 18.31 in. <sup>3</sup>	
Weight per set	W	1450 g 51.15 oz.	

## ELECTRICAL DATA

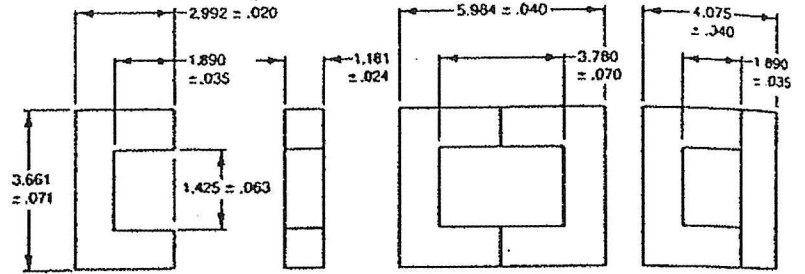
			MATERIAL	
			B1	B2
A <sub>L</sub> (nH) ± 25 %	Without airgap	25°C	6000	5450
μ <sub>e</sub>	Approx.	25°C	2000	1800
μ <sub>a</sub>	Flux density at	320 mT	100°C	> 1000
		340 mT	100°C	> 1500
Total losses (W)	16 kHz - 200 mT 100 kHz - 100 mT	100°C	< 34.5	
		100°C		< 45
Codification	P/N		B1U-9330A	B2U-9330A

# 4 SERIES 1F4 U CORES

## Mechanical Data

### Effective Core Set Parameters

CORE SET		U-U	U-I
MAGNETIC PATH LENGTH	$l_e$	13.94 in. 35.4 cm	10.15 in. 25.8 cm
CORE CONSTANT	$\Sigma \frac{l_e}{A_e}$	10.715 in. <sup>-1</sup> 4.199 cm <sup>-1</sup>	7.826 in. <sup>-1</sup> 3.082 cm <sup>-1</sup>
EFFECTIVE CORE AREA	$A_e$	1.301 in. <sup>2</sup> 8.43 cm <sup>2</sup>	1.297 in. <sup>2</sup> 8.37 cm <sup>2</sup>
EFFECTIVE CORE VOLUME	$V_e$	18.13 in. <sup>3</sup> 296.3 cm <sup>3</sup>	13.17 in. <sup>3</sup> 215.5 cm <sup>3</sup>
WEIGHT		52.9 oz. 1512 Grams	39.2 oz. 1121 Grams



## Electrical Data

CORE PART NO.	CORE MATERIAL	$A_L$ (mH PER 1000 TURNS)	$\mu_r$ (REF.)	MIN. $A_L$ $B = 3000G$ & 100°C	MAX. LOSSES $B = 2000G$ 16kHz & 100°C
1F4-3C8	3C8	4500 MIN.	1500	3300	29.6W
1F4-3C8	3C8	6140 MIN.	1500	4475	21.5W
1B4-3C8					

\*Part number for U core half is 1F4-3C8.  
Part number for I core is 1B4-3C8.