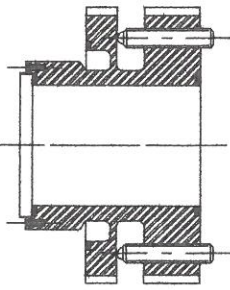


REVISIONS

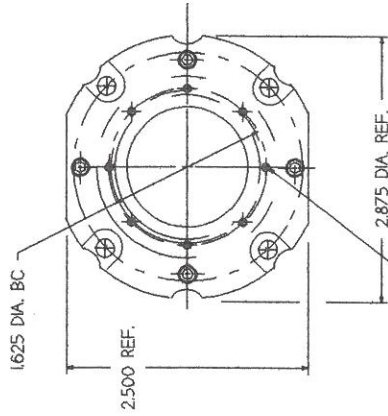
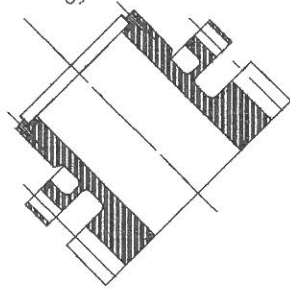
A. RELEASE FOR FAB.  
B. UPDATED FOR FAB.

4/96  
7/98

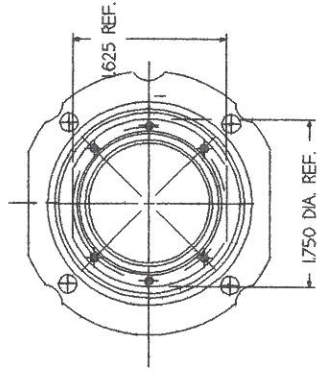
SEE SHEET NO. 2



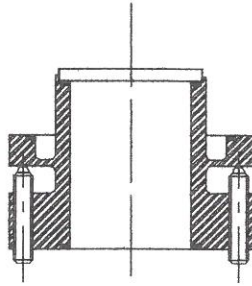
SEE SHEET NO. 3



DRILL & TAP #2-56 NC X 3/16 DEEP  
8 HOLES EQUALLY SPACED



SEE SHEET NO. 4



QSOURCE  
PROPRIETARY  
SHEET 1 of 4

QSource Inc.

MOUNT  
1.5" MIRROR

NOTE:  
1. MATERIAL - ST. STEEL  
*316 OR 304*

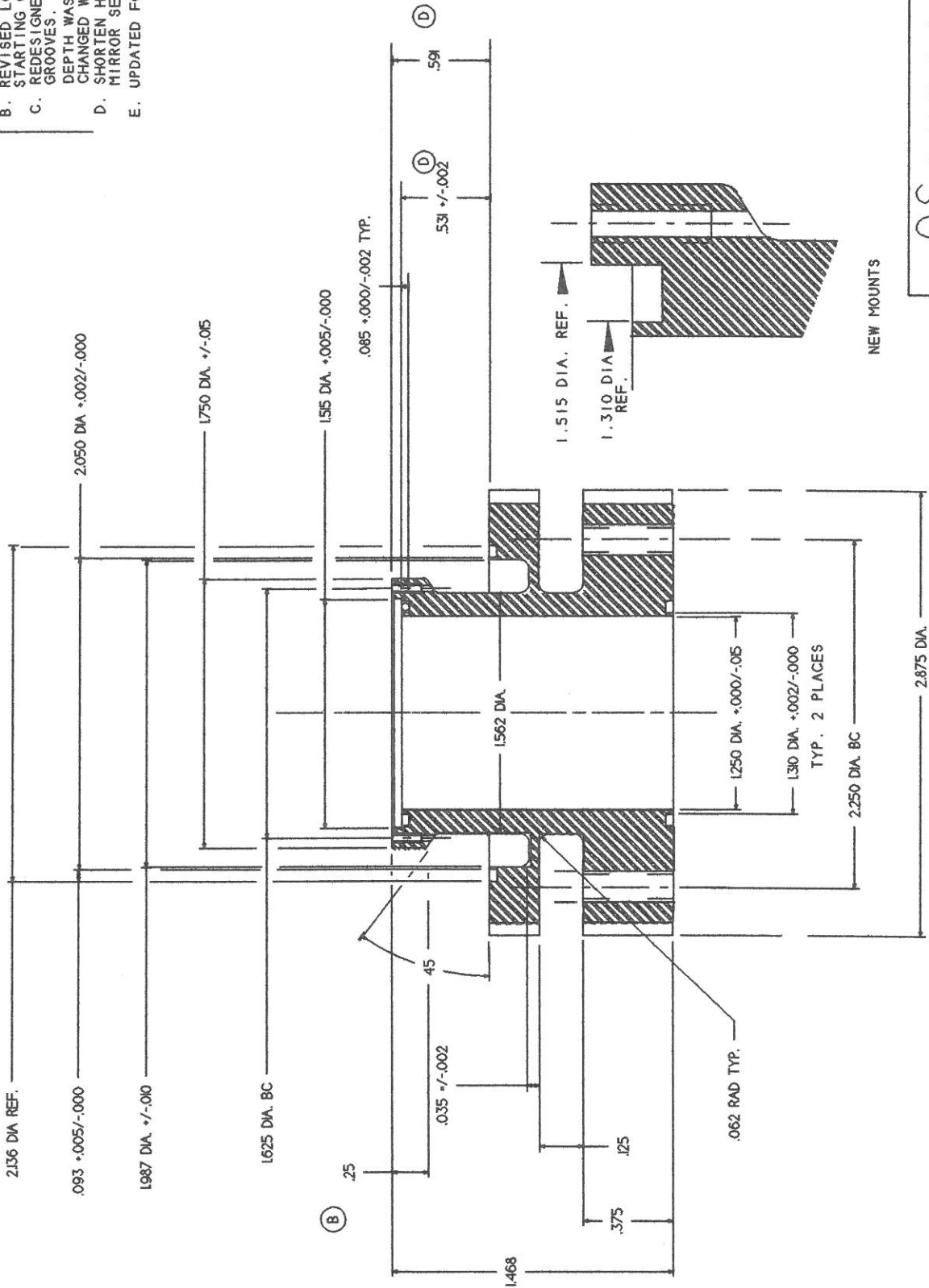
SCALE: FULL  
DATE: 4/1/96

DWG. NO. 80035-88

REV.  
B

# REVISIONS

|   |       |
|---|-------|
| A. RELEASE FOR FAB.                                 | 4/96  |
| B. REVISED LOC. OF 45 STARTING CUT.                 | 4/96  |
| C. REDESIGNED "O"-RING GROOVES.                     | 10/96 |
| D. DEPTH WAS .045 DEEP CHANGED WIDTH OF MIRROR SEAT | 02/97 |
| E. UPDATED FOR FAB.                                 | 7/98  |



NOTE:  
 1. "O"-RING GROOVES NEED TO BE REWORKED ON BOTH SIDES OF MOUNT.

**QSOURCE**  
**PROPRIETARY**  
 SHEET 2 of 4

QSource Inc.

MOUNT  
 1.5" MIRROR

SCALE: FULL  
 DATE: 4/1/96

DWG. NO. 80035-88

REV. E

REVISIONS

- A. RELEASE FOR FAB. 4/96
- B. UPDATED FOR FAB. 7/98

QSOURCE  
 PROPRIETARY

SHEET 3 of 4

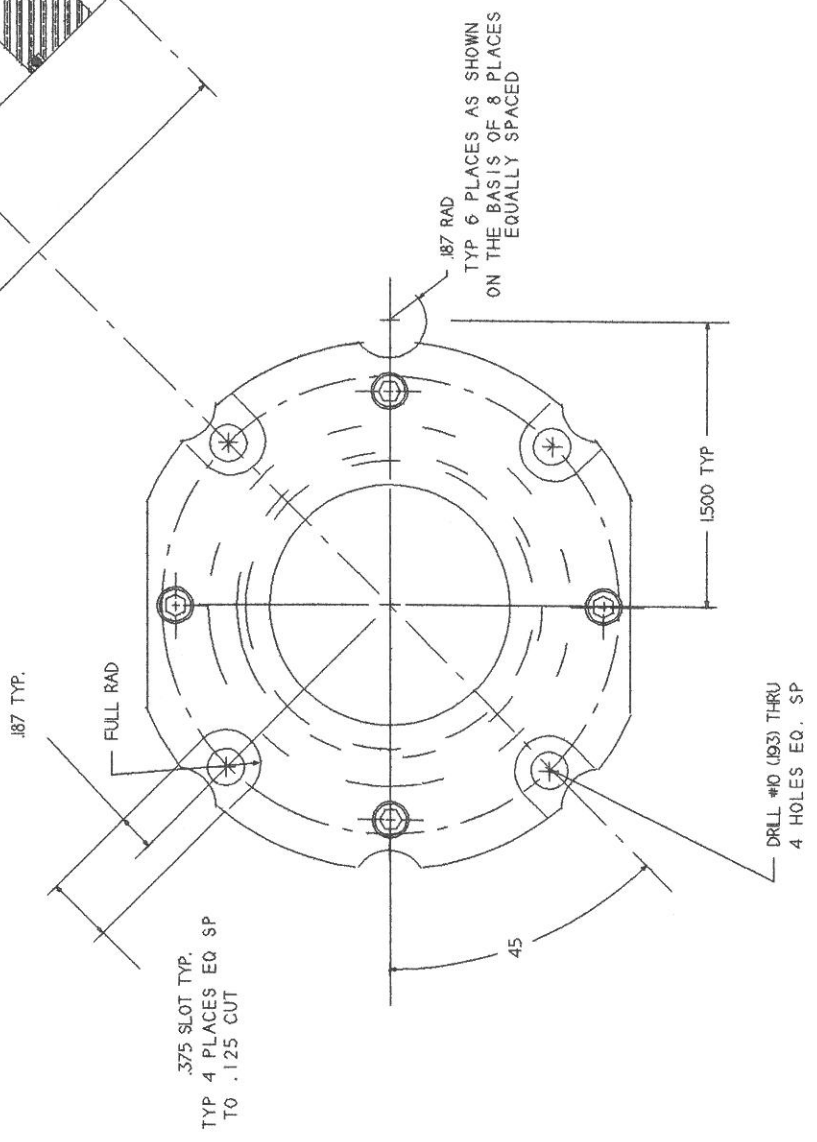
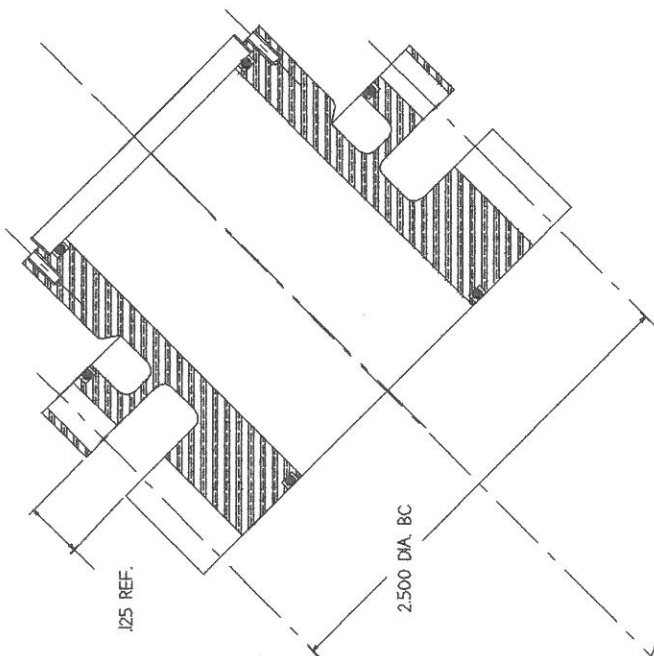
QSource Inc.

MOUNT  
 1.5" MIRROR

SCALE: FULL  
 DATE: 4/1/96

DMG. NO. 80035-88

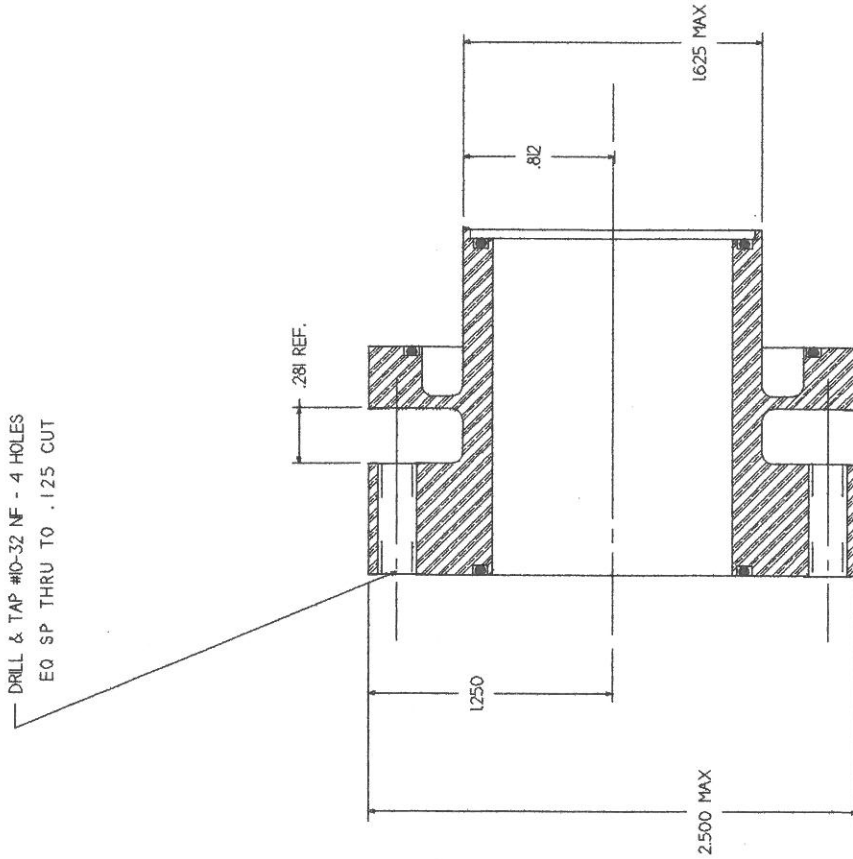
REV.  
 B



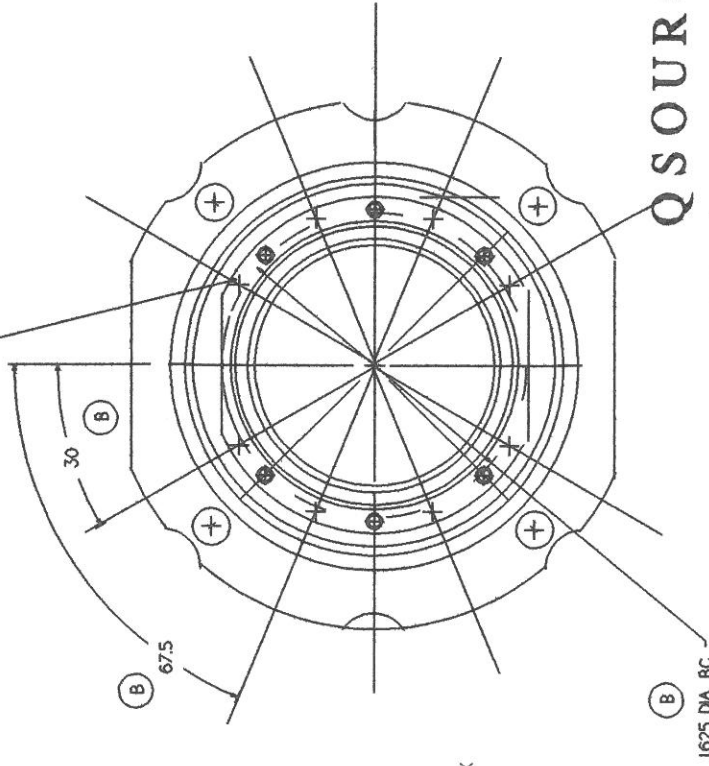
REVISIONS

A. RELEASE FOR FAB. 4/96  
 B. ADDED NEW TAPPED HOLES 2/97  
 C. UPDATED FOR FAB. 7/98

DRILL & TAP #10-32 NF - 4 HOLES  
 EQ SP THRU TO .125 CUT



(B) DRILL & TAP #0-80 x 3/16 DEEP  
 8 HOLES LOCATED AS  
 SHOWN



QSOURCE  
 PROPRIETARY

SHEET 4 of 4

QSource Inc.

MOUNT  
 1.5" MIRROR

SCALE: FULL  
 DATE: 4/1/96

DWG. NO. 80035-88

REV.  
 C