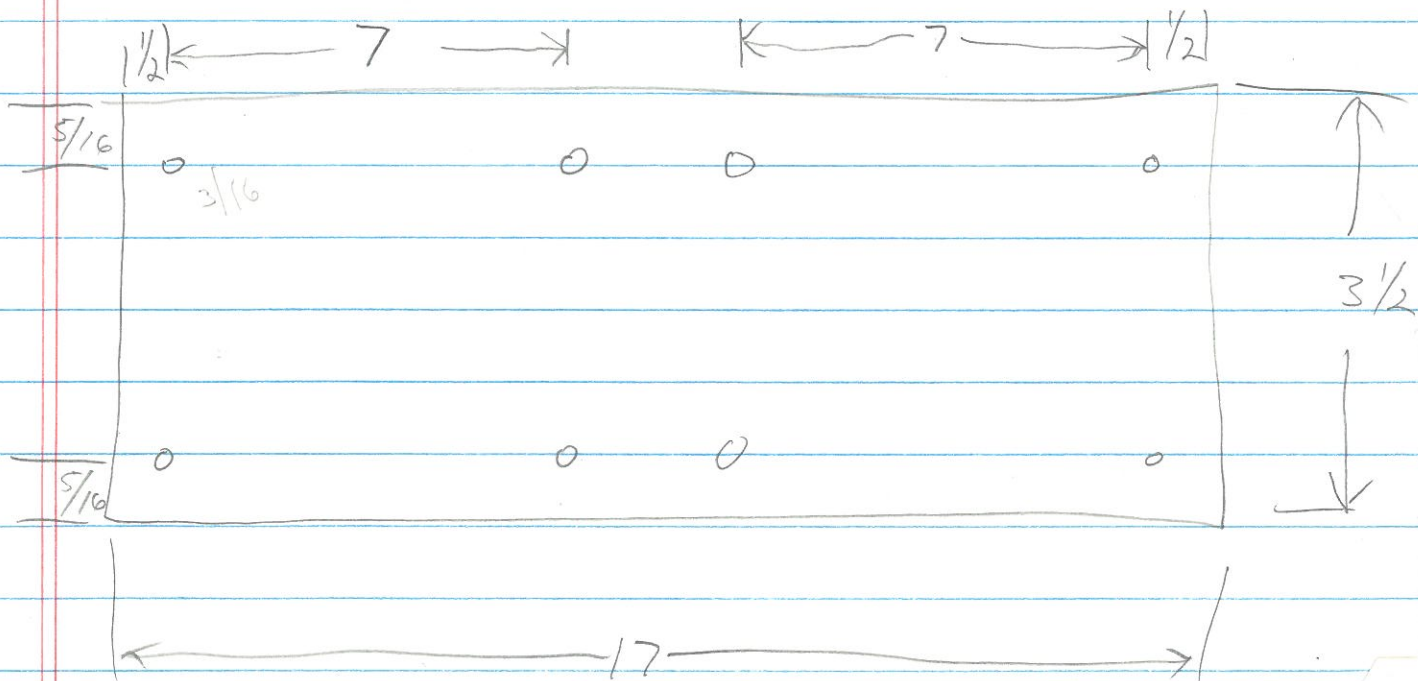
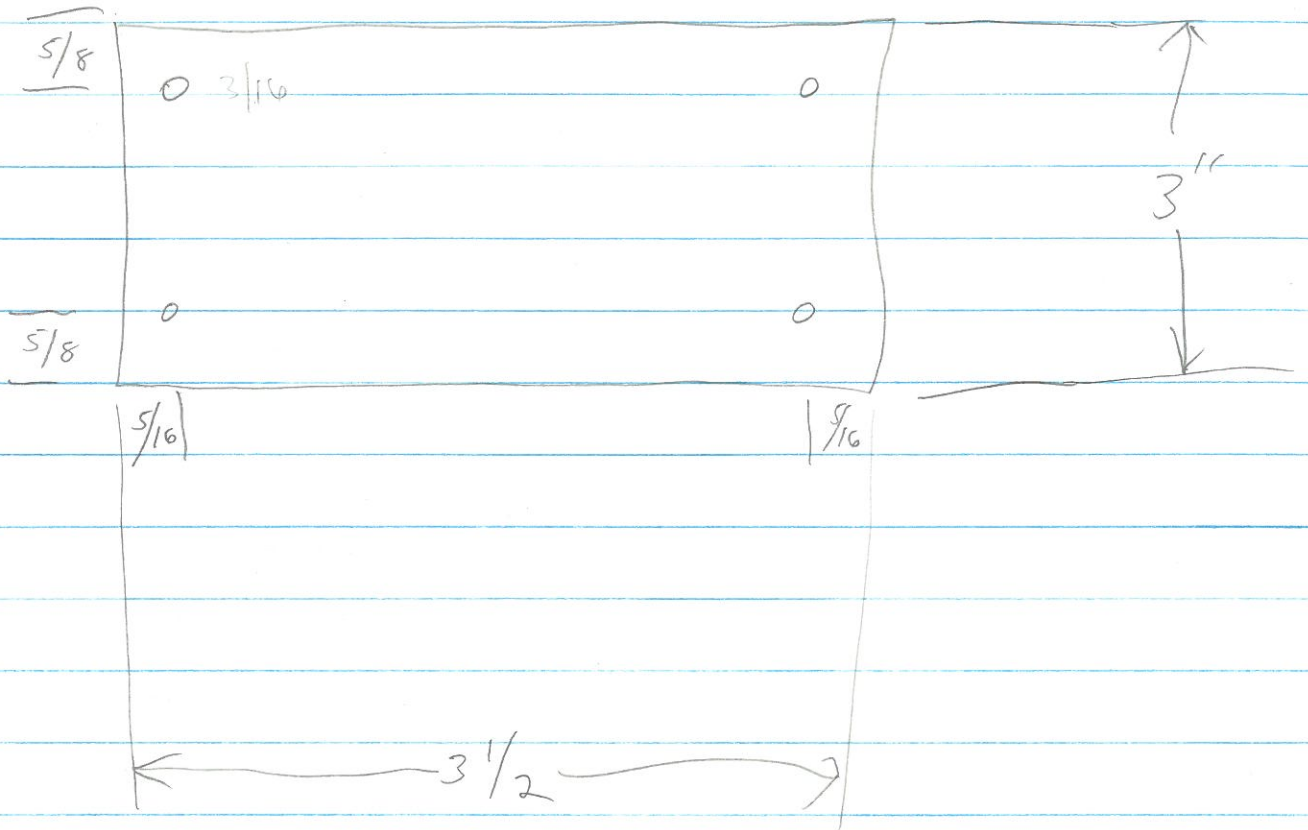
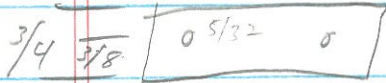


MO Match



MO Match

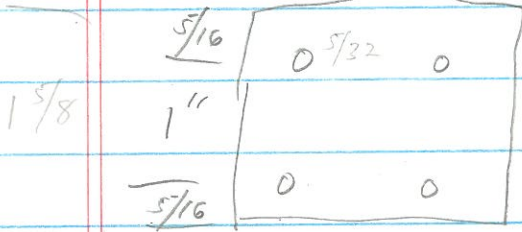
.020 Brass



$\frac{1}{16}$ | $\frac{7}{8}$ | $\frac{5}{16}$

$\frac{1}{2}$

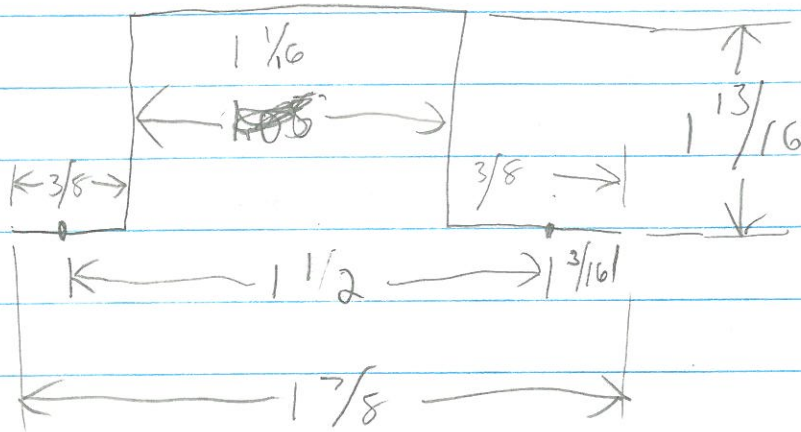
.040 Brass



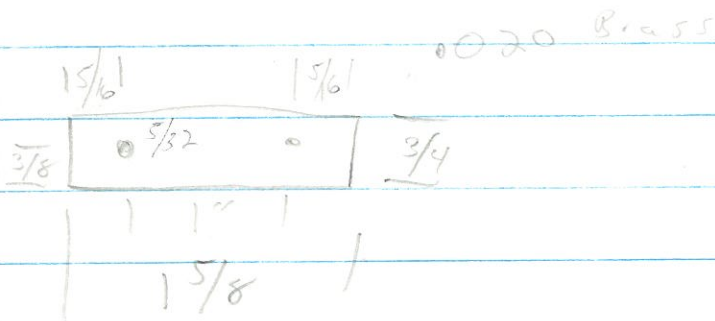
$\frac{5}{16}$ | $\frac{7}{8}$ | $\frac{5}{16}$

MO Match

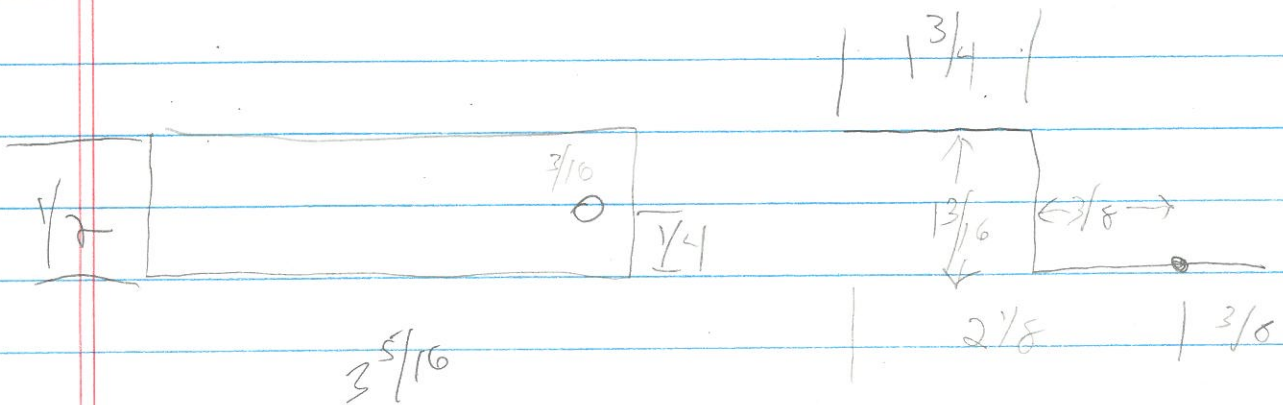
$1\frac{1}{2}$ w



5.4375 $5\frac{7}{16}$

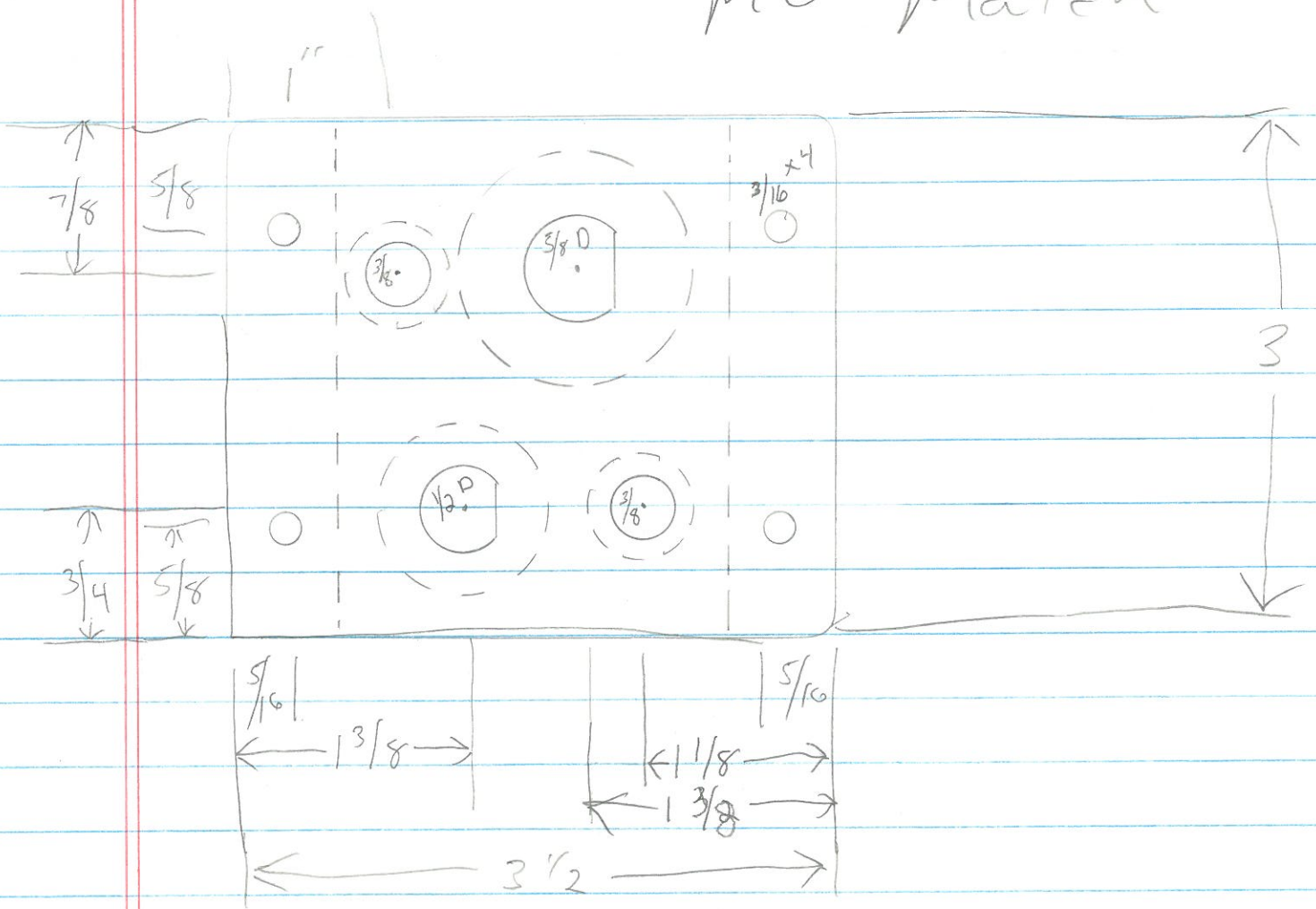


0020 Brass



$\frac{1}{16}$
 $\frac{15}{16}$

MO Match



- Pengolds 1/2 D Max OD 1"
- BNC 3/8 Max OD 5/8"
- N 5/8 D Max OD 1 3/8 w brass washer

Hybrid Cell

Load Resistance $820\ \Omega$

Input Capa - $346\ \text{pF}$

MO w extra Cap

$.495\ \mu\text{F}$

as shipped $.241\ \mu\text{F}$

Load Resistance $70.7\ \Omega$

LO Load Resistance $2.2\ \text{k}\Omega$

as shipped Cap $317\ \text{pF}$ input

PA w/extra Cap ~~$1.975\ \mu\text{F}$~~ $1.975\ \mu\text{F}$

as shipped $1.018\ \mu\text{F}$

Mo Match

1" uhmw Rod

1/2" uhmw Rod

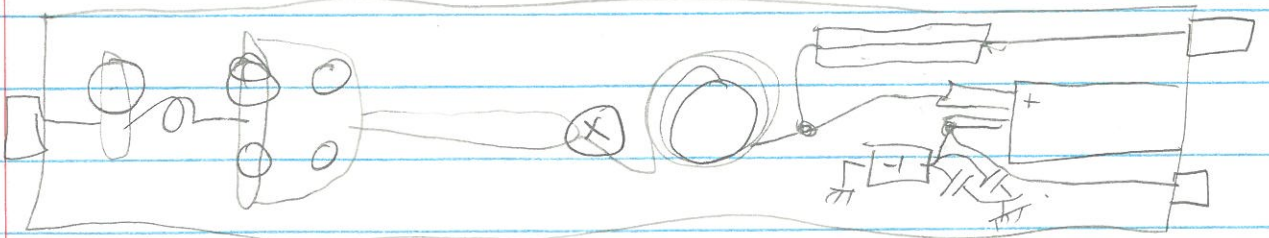
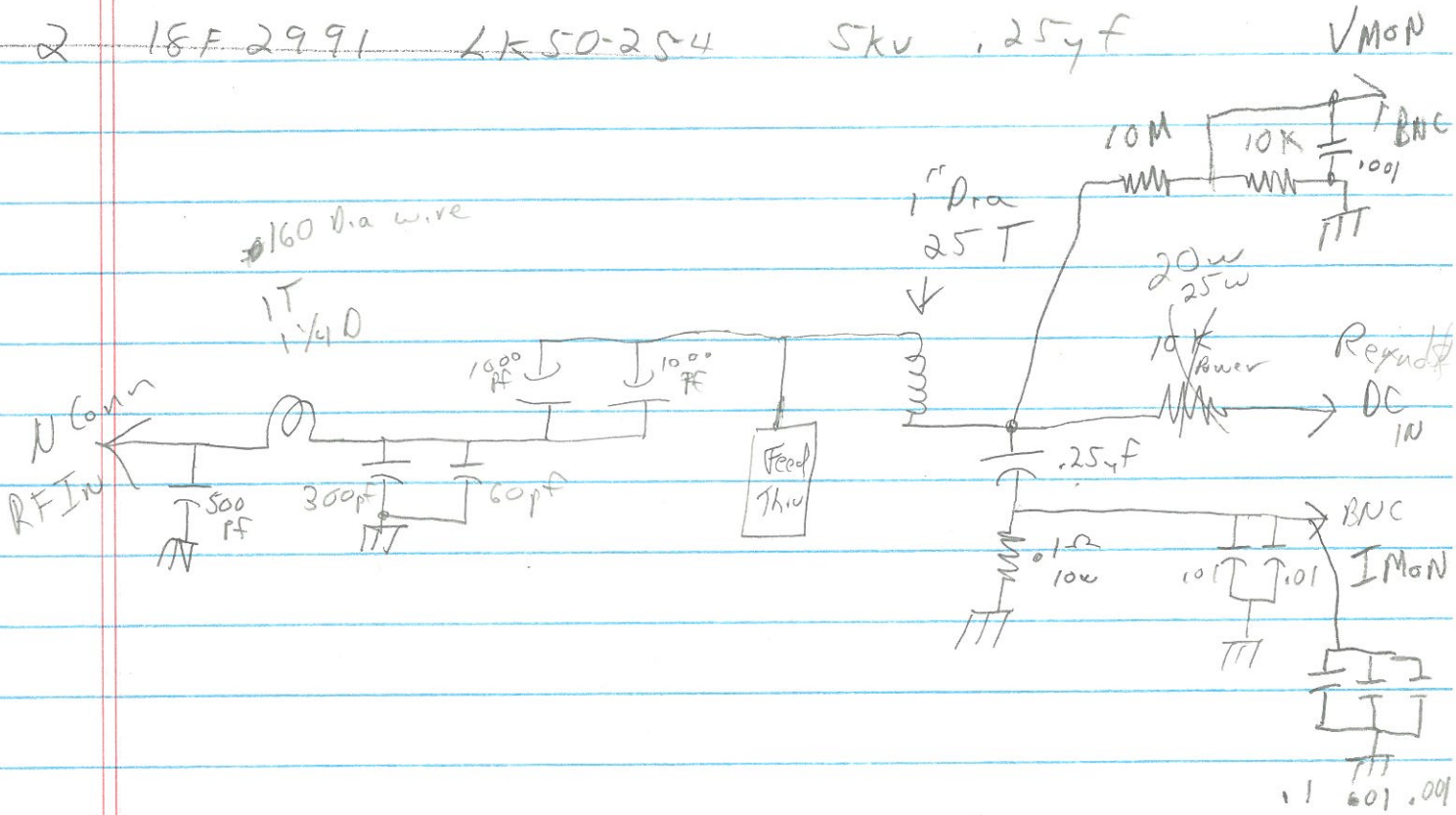
50 ~~PE~~6KE18CA GI

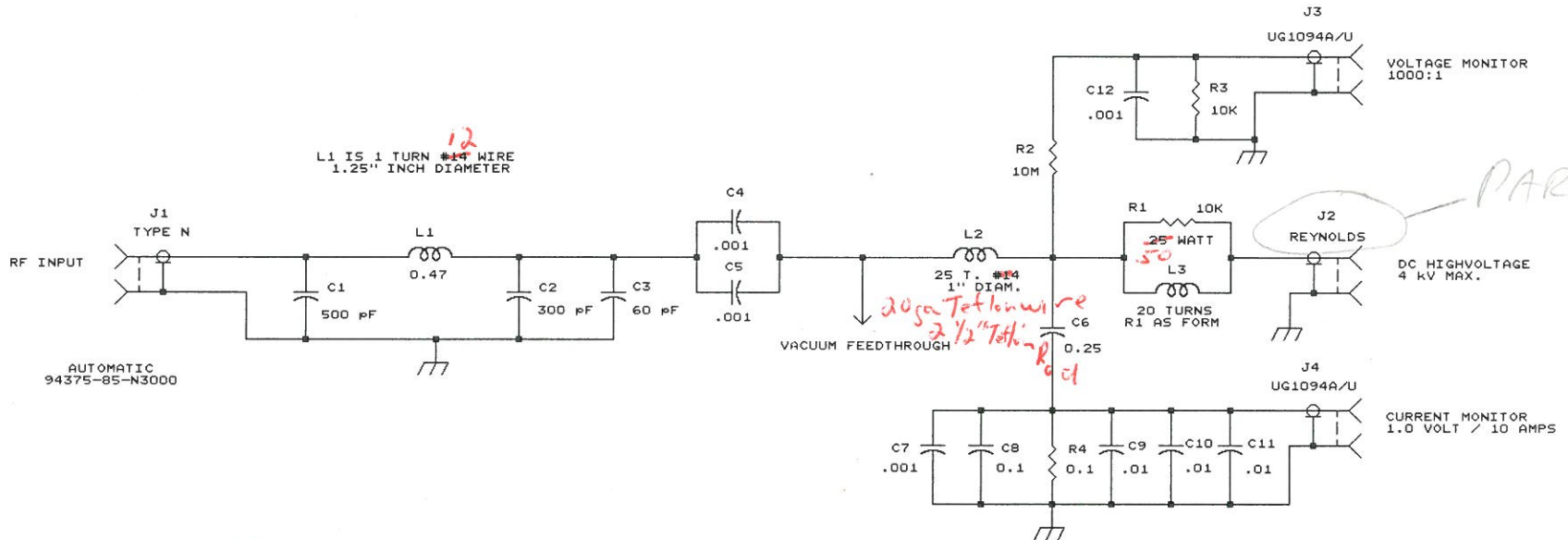
20 Turns of wire
wrapped around
10K Ω Resistor

3 13F746 10K 20w

6 13F098 MT Brackets Size 9

2 18F2991 LK50-254 5kv .25 μ f





R2 Caddock MG710

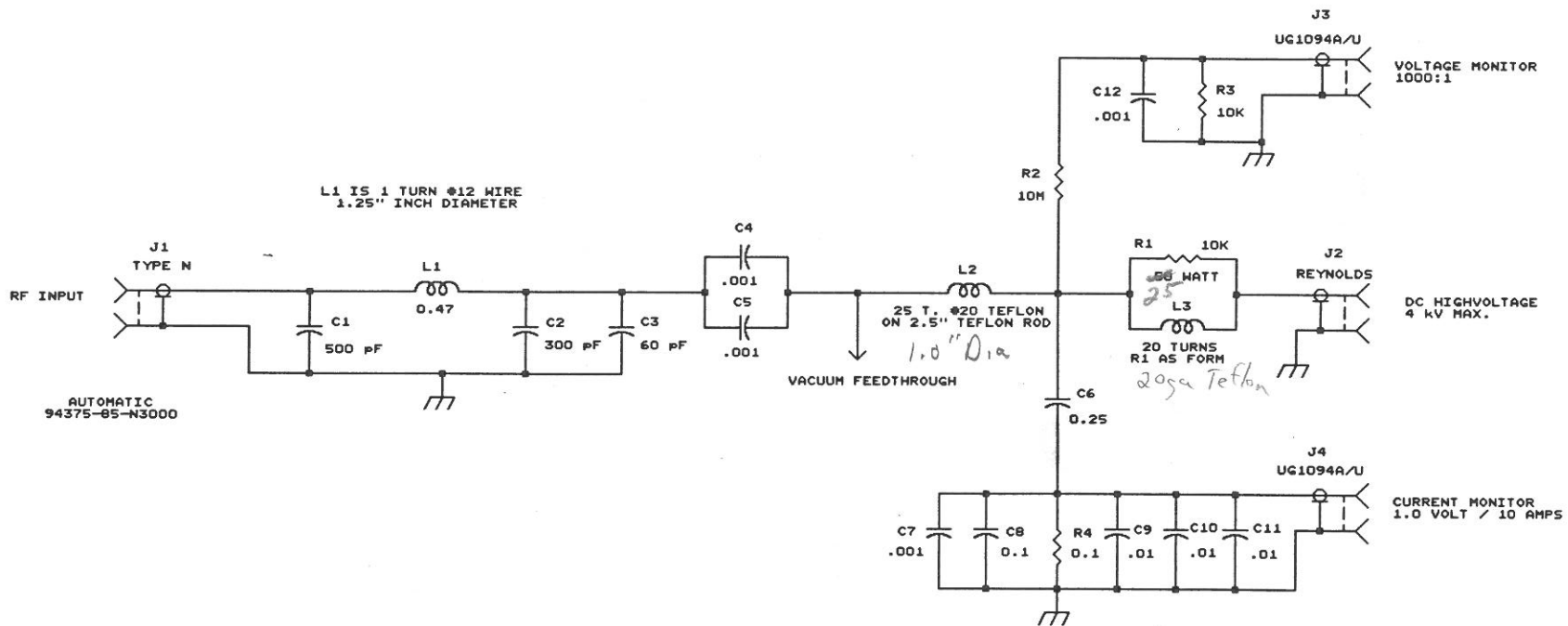
C1, 2, 3, 4, 5 HEC HTSO

NOTES:

- RESISTORS IN OHMS
- RESISTORS ARE RNES UNLESS OTHERWISE NOTED
- CAPACITORS IN uF
- INDUCTORS IN uH

QSOURCE PROPRIETARY

QSOURCE, INC. 229 BURNHAM ST. EAST HARTFORD, CT 06108		
Title	MASTER OSCILLATOR MATCHING NETWORK	
Size	Document Number	REV
B	Q52203	
Date:	June 13, 1992	Sheet 1 of 1



R1 = ohmite L25J10K

C6 = Plastic Cap LK40-254 .25 μ f 4KV

R2 = Caddock MG710 SERIES

C1-5 = HEC MODEL HT50

J2 = REYNOLDS 178-7037-18N Mod 1

R4 = Dale REG5GR100
1/2 10W

NOTES:

- RESISTORS IN OHMS
- RESISTORS ARE RN55 UNLESS OTHERWISE NOTED
- CAPACITORS IN μ F
- INDUCTORS IN μ H

QSOURCE PROPRIETARY

QSOURCE, INC. 229 BURNHAM ST. EAST HARTFORD, CT 06108		
Title MASTER OSCILLATOR MATCHING NETWORK		
Size	Document Number	REV
B	Q52203	1
Date:	June 15, 1992	Sheet 1 of 1

Mo Match

