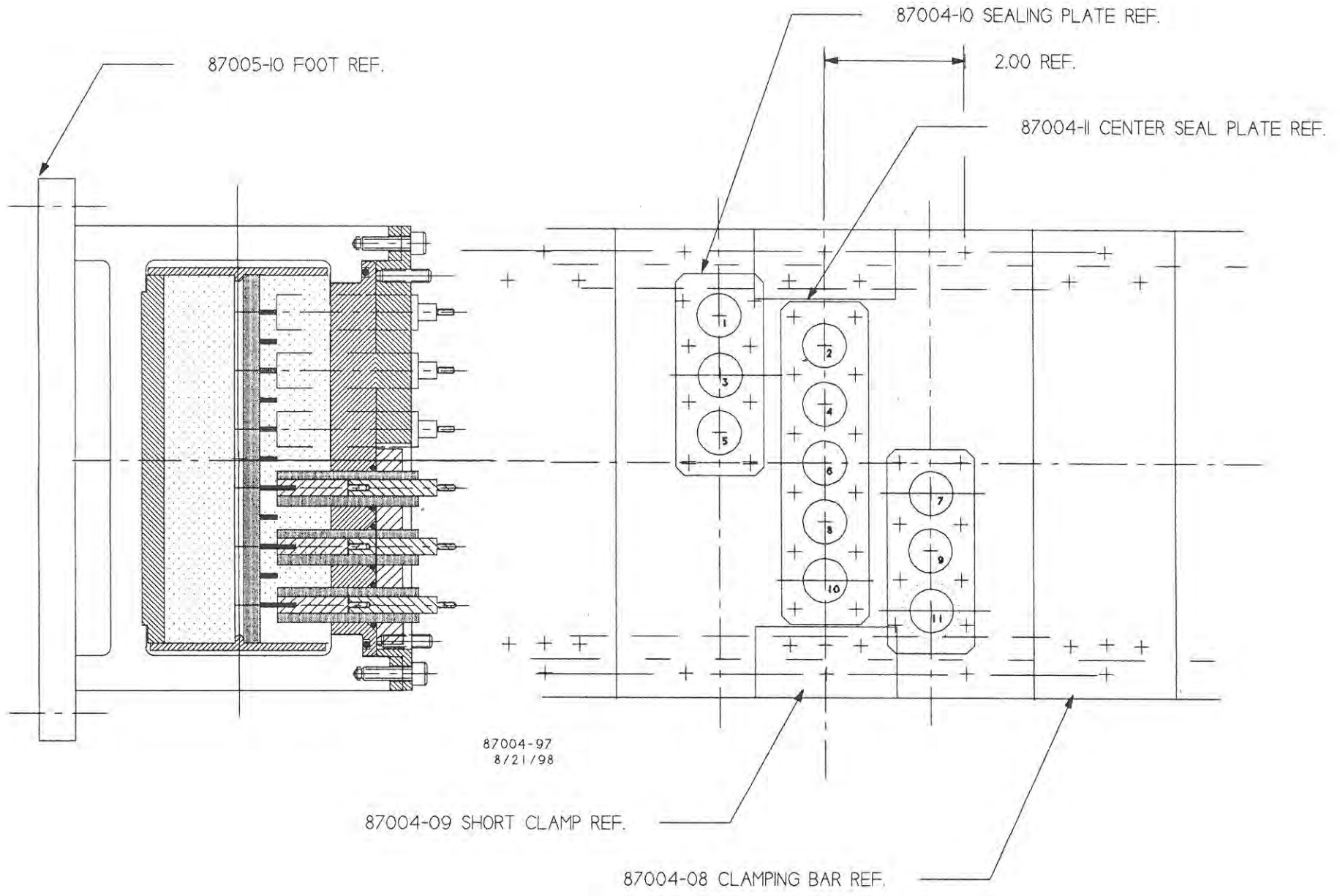
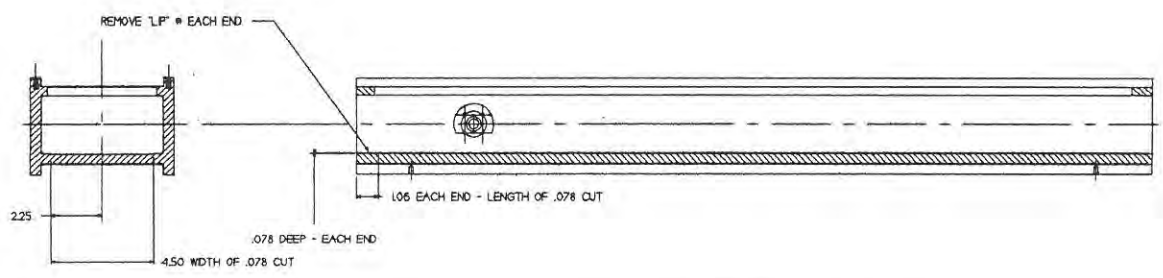
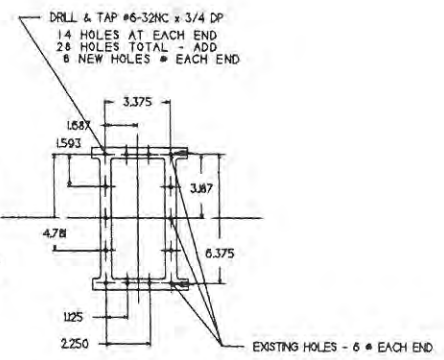
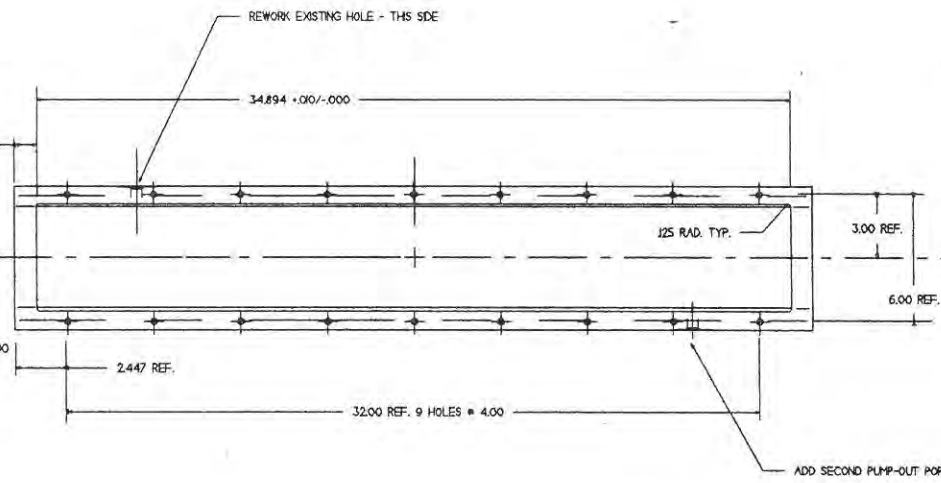
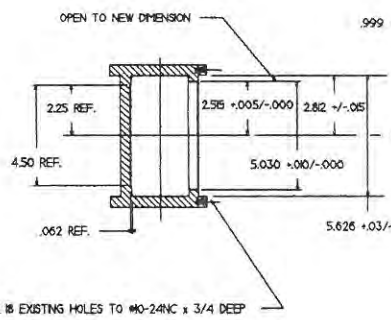
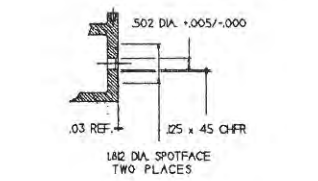
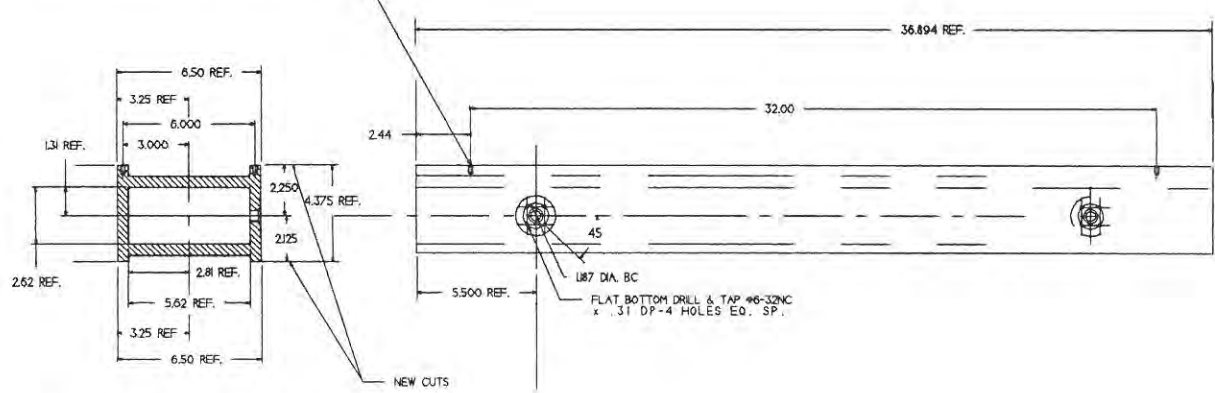


87004-99
8/21/98



DRILL & TAP #10-24NC x 3/4 DEEP - 4 NEW HOLES

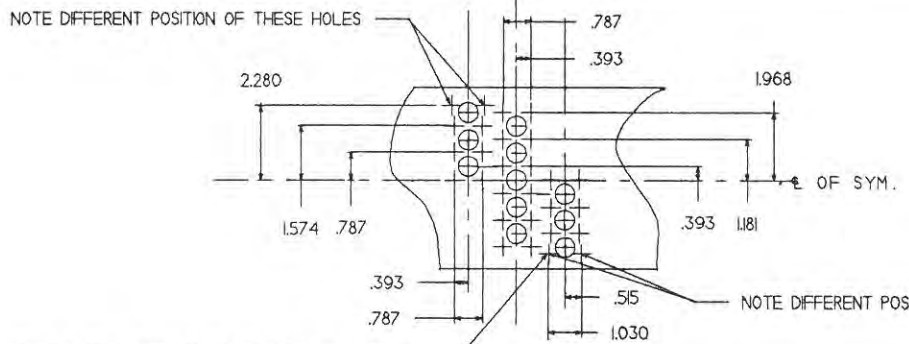


- NOTES:
1. MAKE SURE THAT ALL HOLES DO NOT BREAK THRU OR DIMPLE HOUSING
 2. MATERIAL - EXISTING HOUSING #80006-14 SUPPLIED BY OSOURCE
 3. BREAK ALL EDGES
 4. ORIGINAL DRAWINGS WILL BE PROVIDED FOR REFERENCE

QSource Inc.		
HOUSING 1 KW LASER ASSEMBLY DISCHARGE		
SCALE: NONE	DWG. NO. 87004-06	REV:
DATE: 08/18/98		

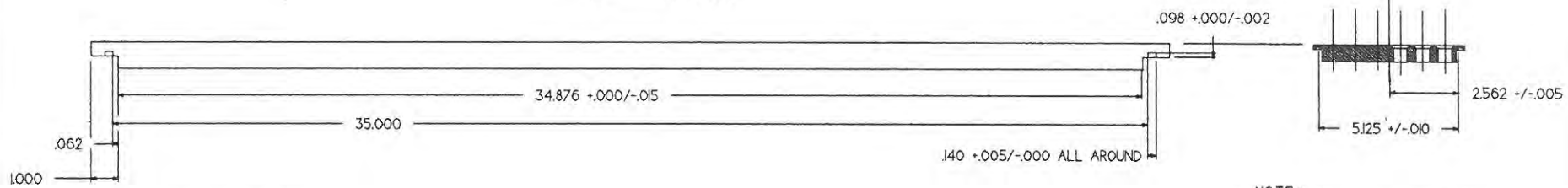
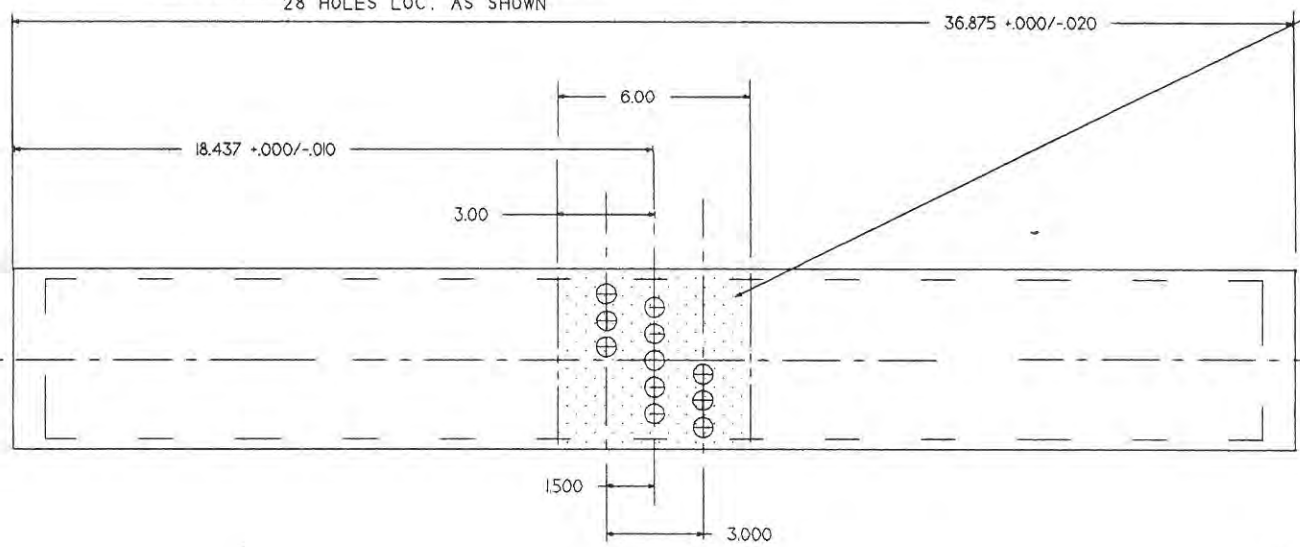
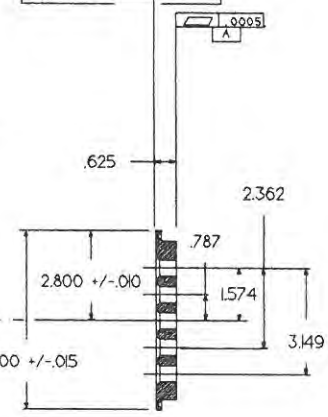
REVISIONS

0.50
3.00
8.00

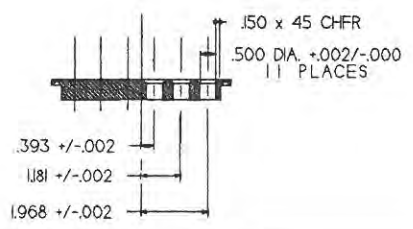
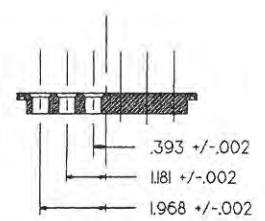
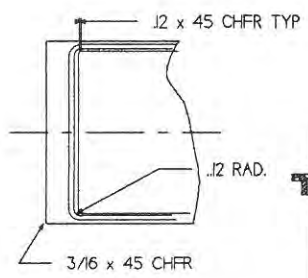


FLAT BOTTOM DRILL & TAP #6-32NC x .43 DEEP
28 HOLES LOC. AS SHOWN

NOTE:
OVER THIS AREA ONLY
1.1 A .0010



NOTE:
MATERIAL 6061-T6 ALUM.



QSource Inc.

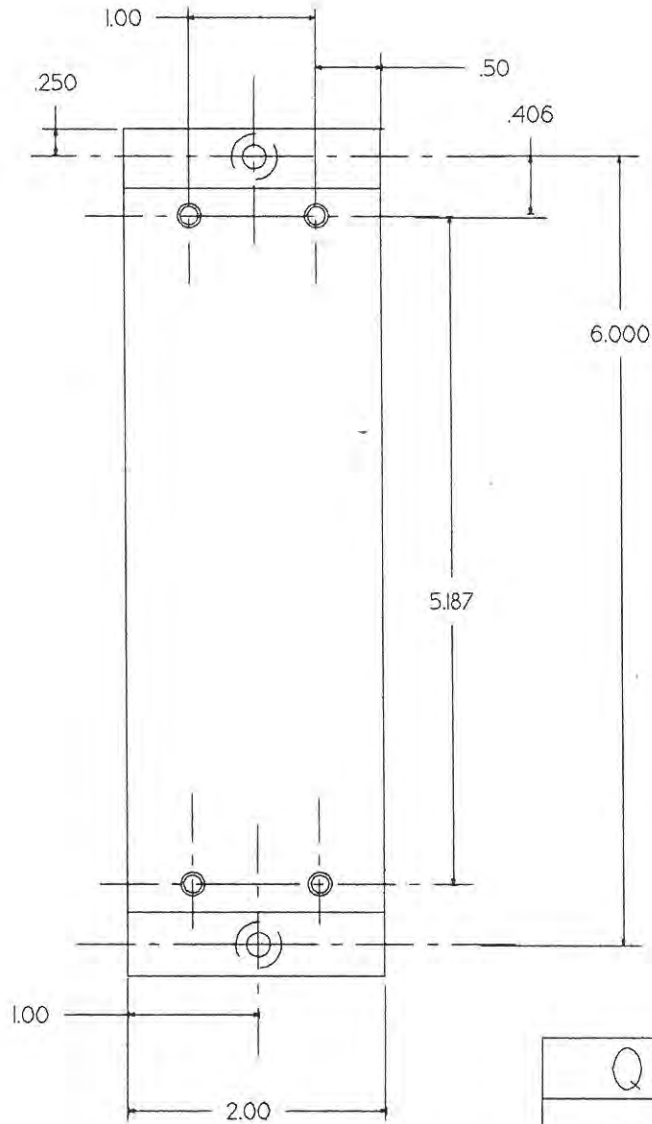
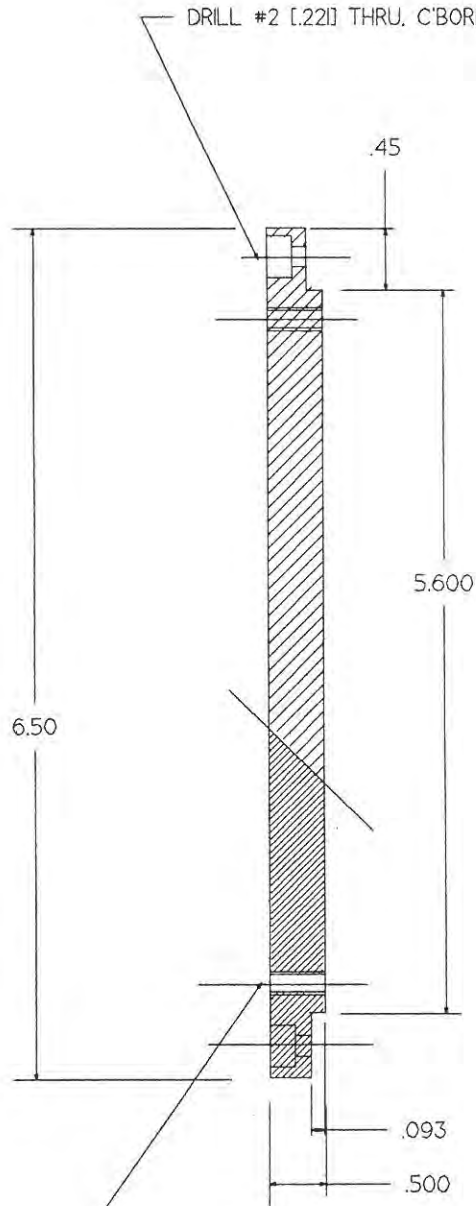
PLATE - UPPER
1 KW LASER ASSEMBLY
SEALING

SCALE: NONE
DATE: 08/20/98

DWG. NO. 87004-07

REV.

REVISIONS



NOTE:
MATERIAL 6061-T6 ALUM.

QSource Inc.

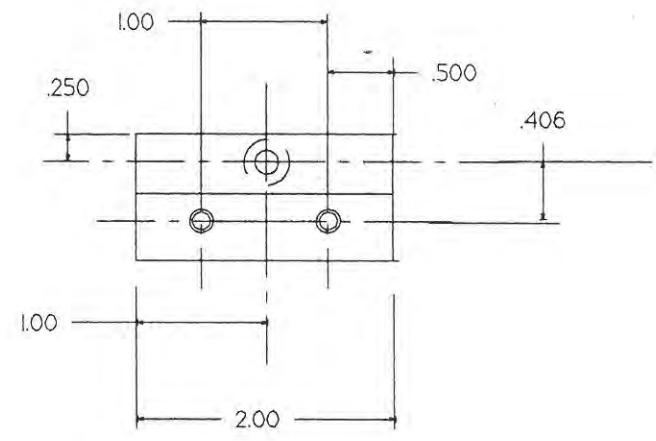
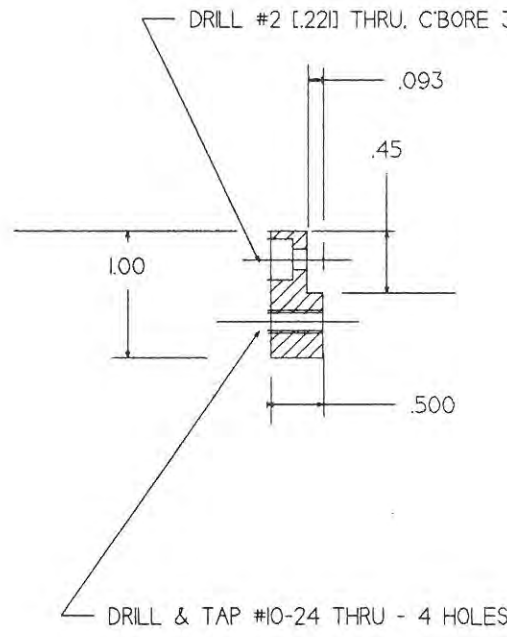
CLAMPING BAR
1 KW LASER ASSEMBLY
SEALING PLATE

SCALE: NONE
DATE: 08/20/98

DWG. NO. 87004-08

REV.

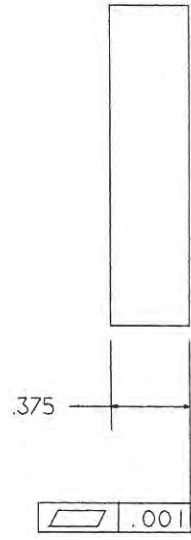
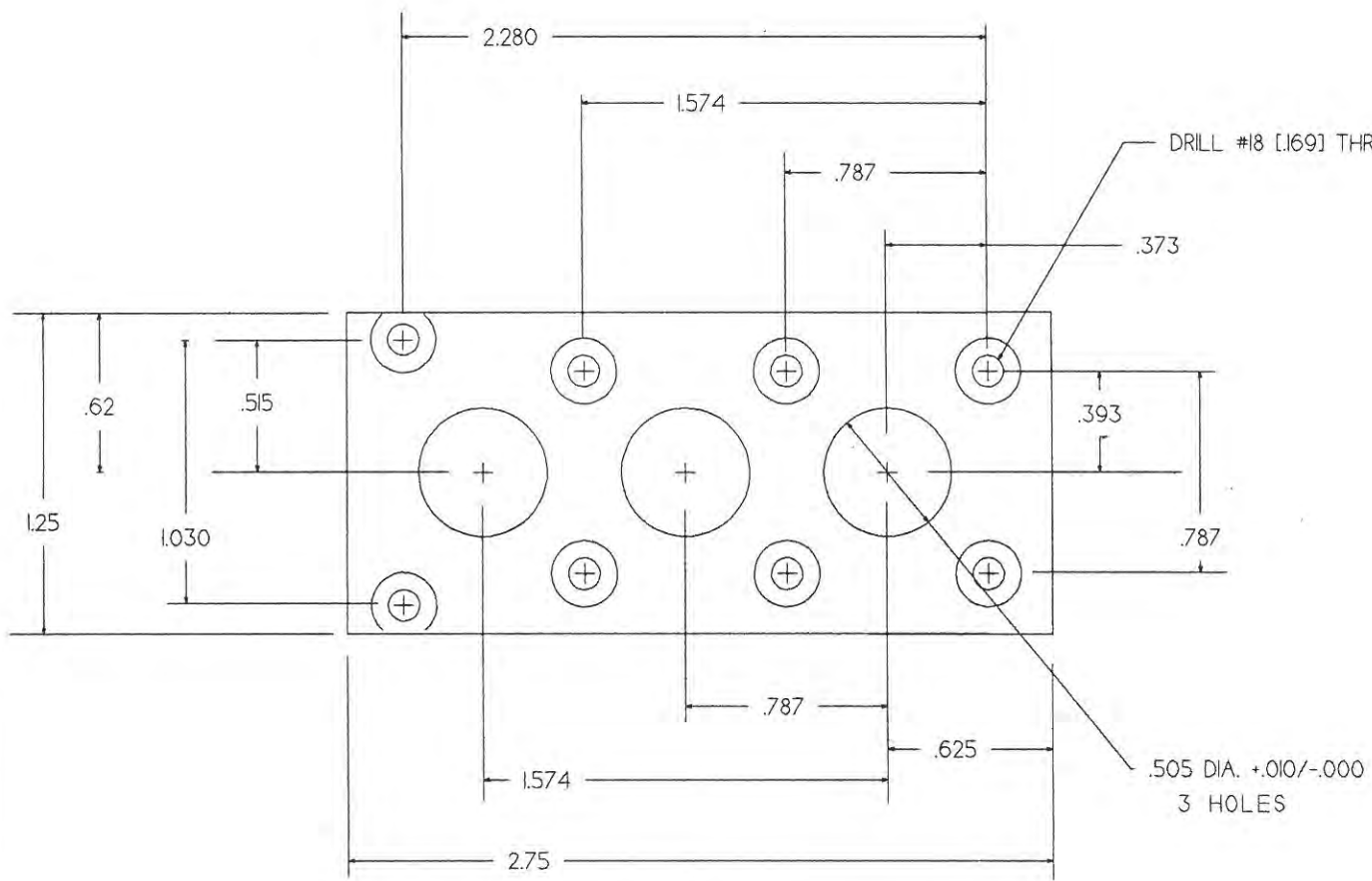
REVISIONS	



NOTE:
MATERIAL 6061-T6 ALUM.

QSource Inc.		
CLAMPING 1 KW LASER ASSEMBLY SEALING PLATE		
SCALE: NONE DATE: 08/21/98	DWG. NO. 87004-09	REV.

REVISIONS

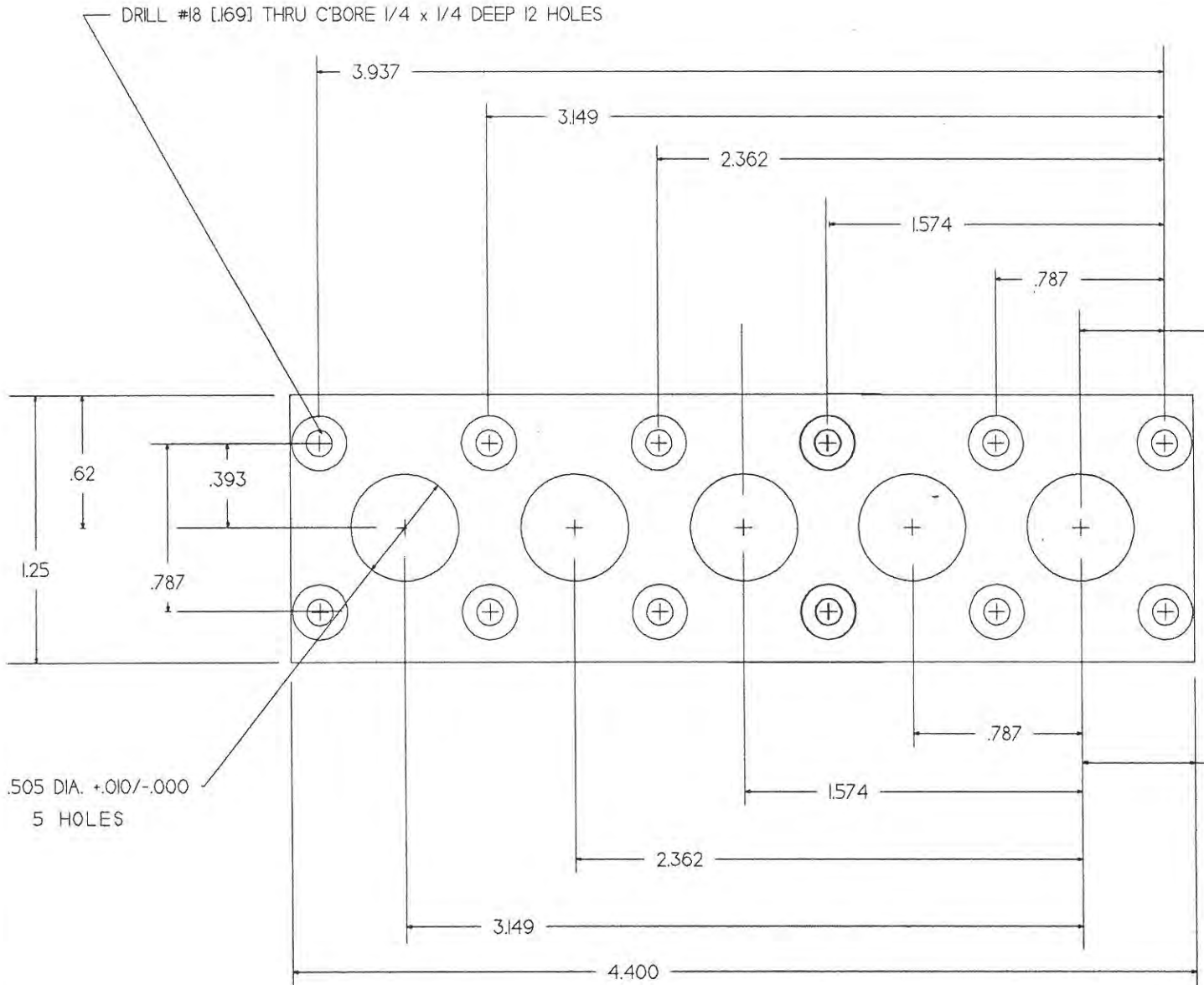


NOTE:
MATERIAL 6061-T6 ALUM.

QSource Inc.		
PLATE 1 KW LASER ASSEMBLY ELECTRODE FEEDTHRU SEALING		
SCALE: NONE DATE: 08/21/98	DWG. NO. 87004-10	REV.

REVISIONS

REV.	DESCRIPTION



NOTE: MATERIAL 6061-T6 ALUM.

QSource Inc.

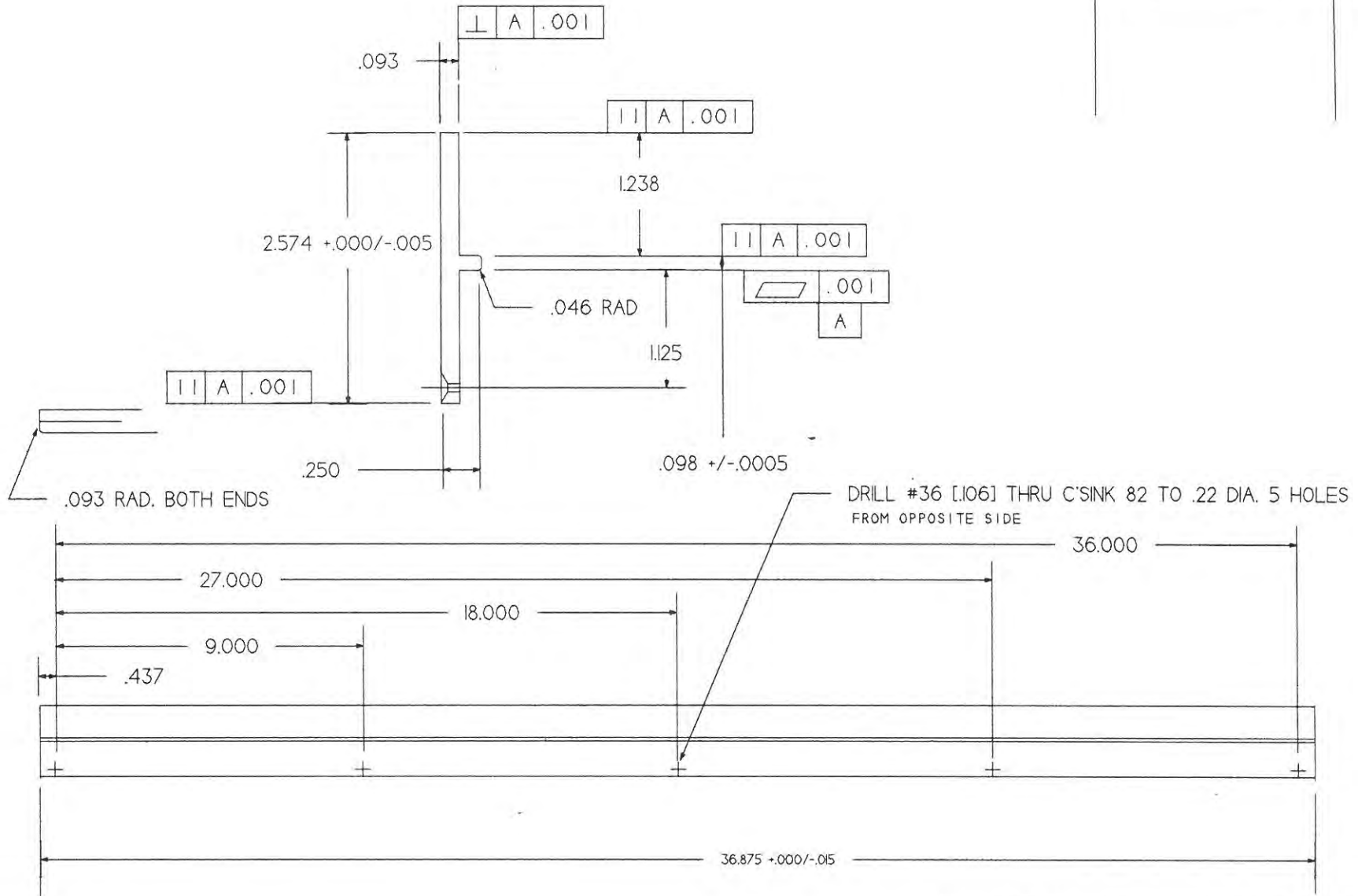
PLATE - CENTER
 1 KW LASER ASSEMBLY
 ELECTRODE FEEDTHRU SEALING

SCALE: NONE
 DATE: 08/21/98

DWG. NO. 87004-11

REV.

REVISIONS



NOTE:

1. MATERIAL ALUM.

QSource Inc.

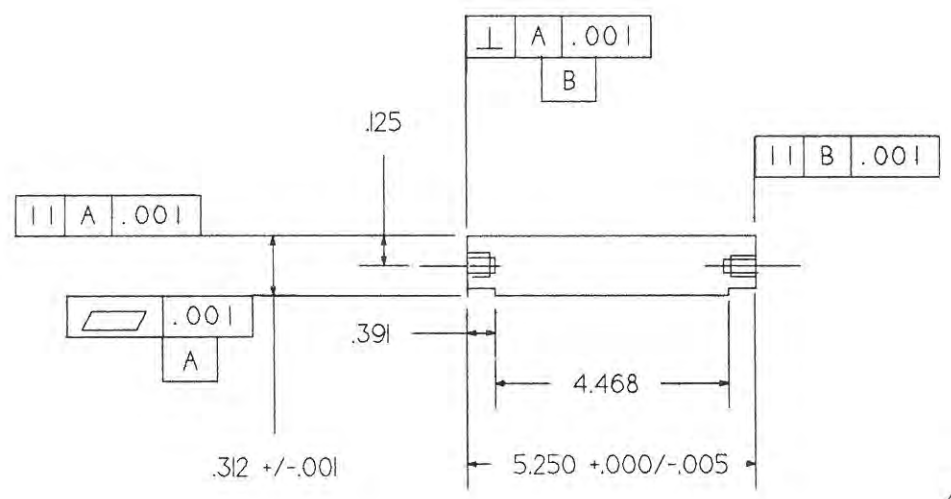
ELECTRODE
1 KW LASER ASSEMBLY
SIDE

SCALE: 1/2 SIZE
DATE: 8/21/98

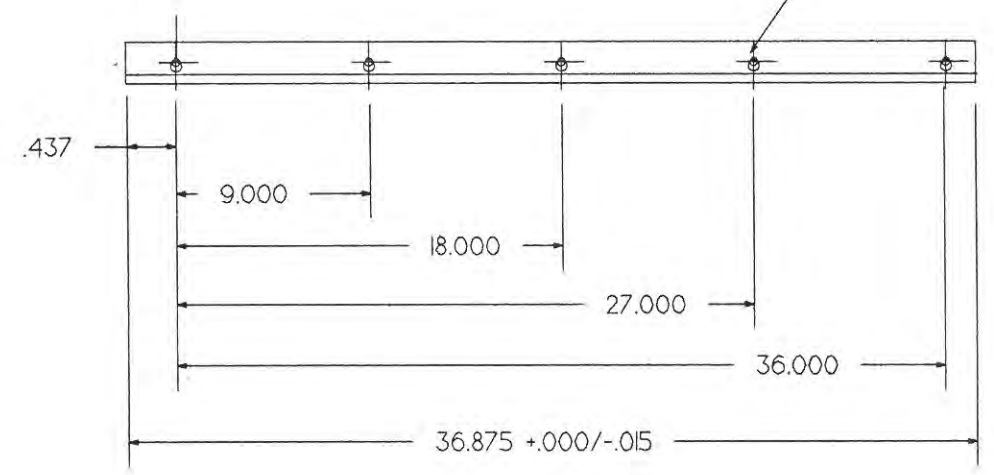
DWG. NO. 87004-12

REV.

REVISIONS



DRILL & TAP #2-56 X 1/4 DEEP
 7 HOLES - LOCATED AS SHOWN
 BOTH SIDES 10 HOLES TOTAL



NOTE:
 1. MATERIAL ALUM.

QSource Inc.

BASE
 MULTI-PASS LASER ASSEMBLY
 LOWER CERAMIC

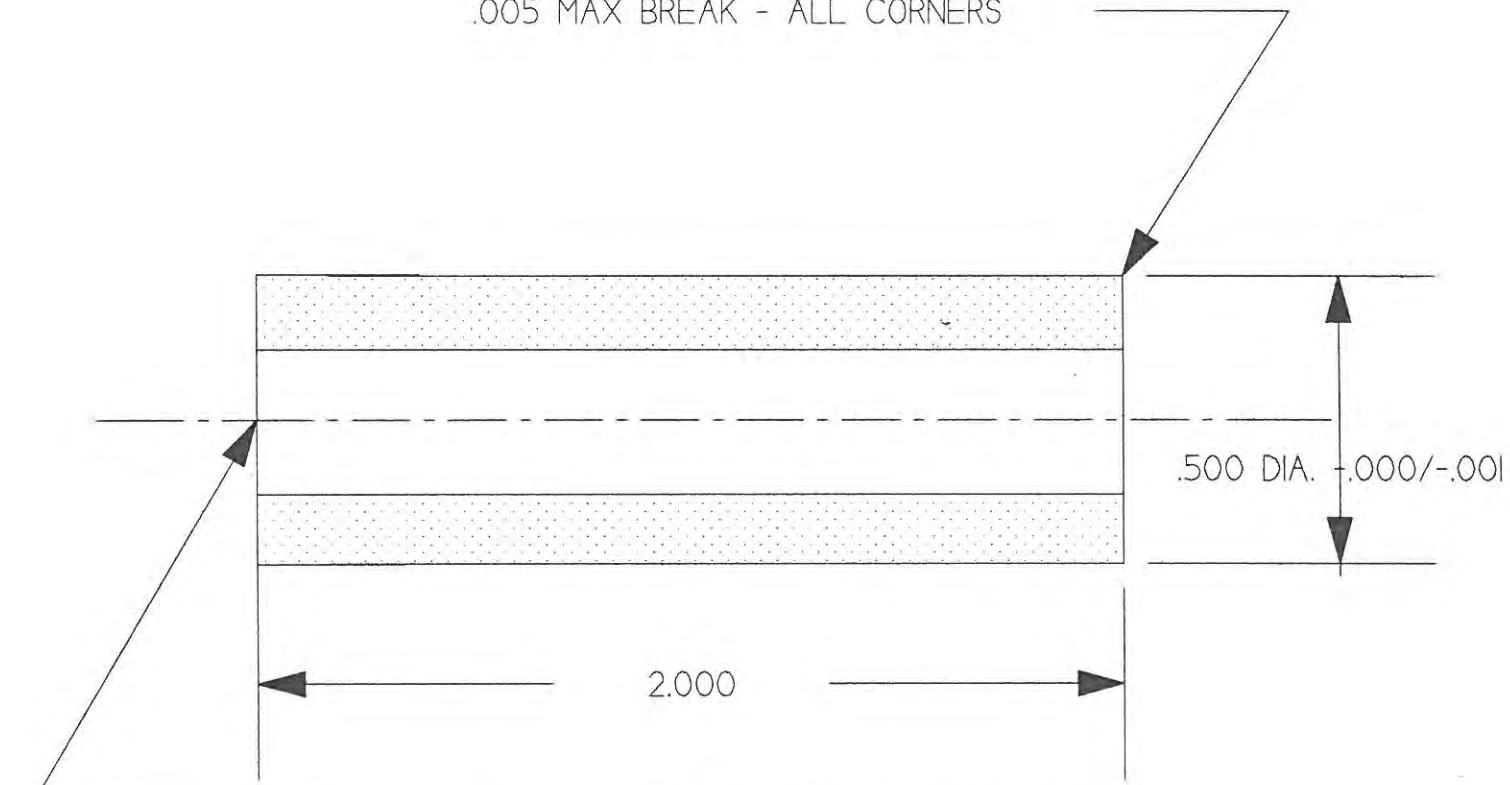
SCALE: 1/2 SIZE
 DATE: 8/21/98

DWG. NO. 87004-13

REV.

REVISIONS

.005 MAX BREAK - ALL CORNERS



.500 DIA. +.000/-0.001

2.000

DRILL & REAM TO .2500 DIA. +.0005/-0.0000 THRU

1. MATERIAL - MACHINABLE CERAMIC
SUPPLIED BY QSource

QSource Inc.

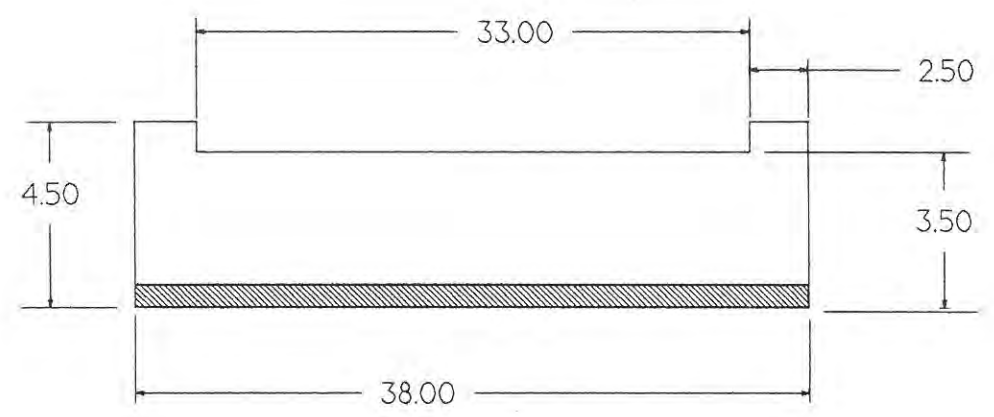
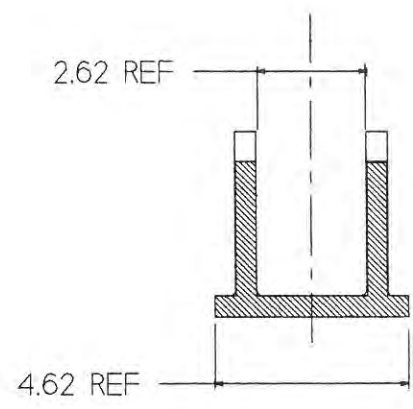
INSULATOR - SINGLE
1 KW LASER ASSEMBLY
FEEDTHRU

SCALE: FULL
DATE: 8/21/98

DWG. NO. 87004-16

REV.

REVISIONS



NOTE:

1. MATERIAL - ALUM EXTRUSION
 SUPPLIED BY QSOURCE

QSource Inc.

STAND - PUMP STATION
 1 KW LASER ASSEMBLY
 LASER

SCALE: NONE
 DATE: 08/21/98

DWG. NO. 87004-95

REV.

MATERIAL - LUCITE
 DO NOT SCRATCH
 STOCK SURFACES
 .098 +.000/-0.002

REVISIONS

2.875 +/-0.005

3.500
 1.750

3.375
 1.687

1/8 x 45 TYP.

3.187
 3.250

1.593
 4.781

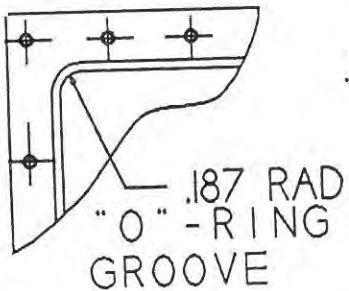
6.375
 6.500

5.750 +/-0.005
 .750 STOCK

1.125
 2.250

DRILL #18 [.169] THRU
 C BORE 5/16 x .312
 DEEP - 14 HOLES

.140 +.005/-0.000



1.375 +/-0.005
 2.750 +/-0.005

QSource Inc.

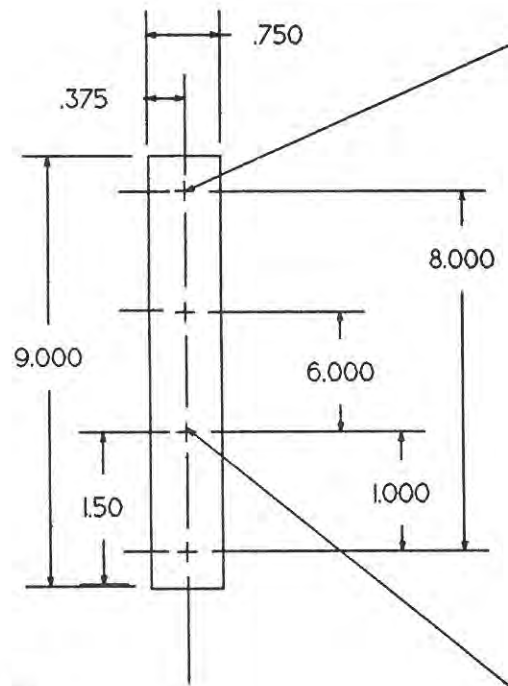
ENDWALL
 VERTICAL 2.50mm WIDE GAP
 VIEWING

SCALE: NONE
 DATE: 08/13/98

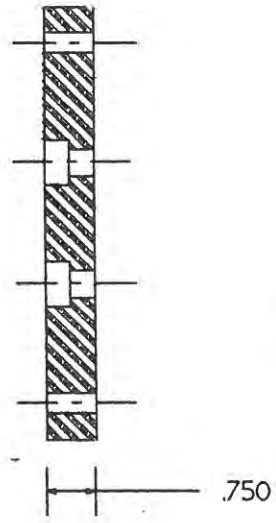
DWG. NO. 87005-07

REV.

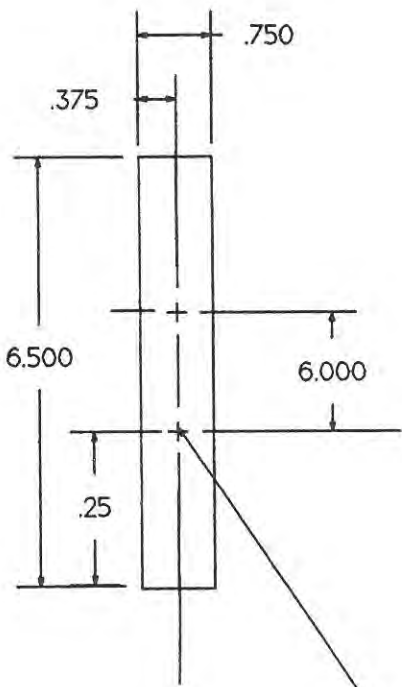
REVISIONS



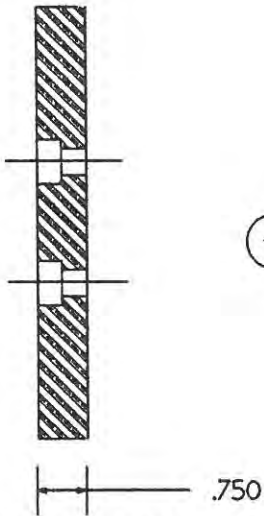
DRILL #2 [.221] THRU - 4 HOLES



(-1) TABLE MOUNT



C'BORE 2 CENTER HOLES 3/8 DIA x 3/8 DEEP



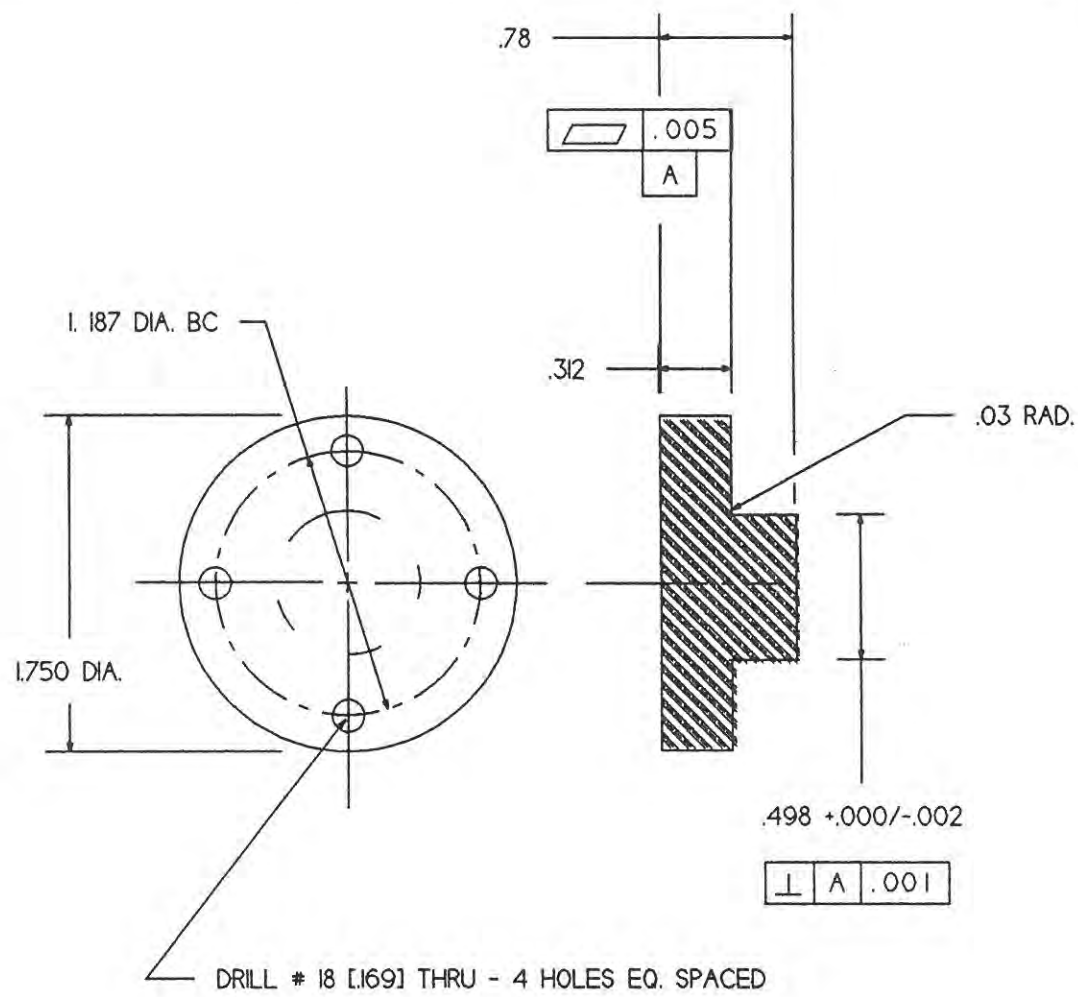
(-2) PUMPING STATION MOUNTING

NOTE:
1. MATERIAL ALUM.

DRILL #2 [.221] THRU - 2 HOLES
C'BORE 2 CENTER HOLES 3/8 DIA x 3/8 DEEP

QSource Inc.		
FOOT VERTICAL 2.50mm WIDE GAP HOUSING		
SCALE: 1/2 SIZE DATE: 8/14/98	DWG. NO. 87005-10	REV.

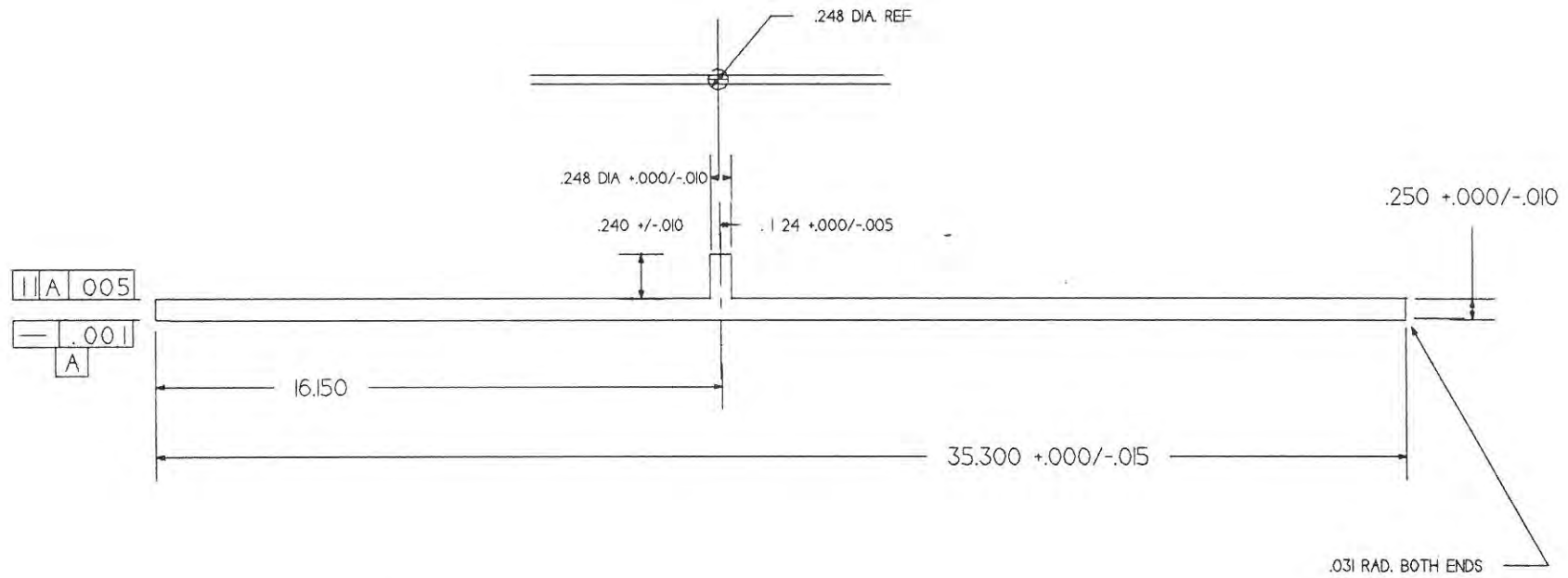
REVISIONS



NOTE:
 1. MATERIAL ALUM.

QSource Inc.		
PLUG VERTICAL 2.50mm WIDE GAP VALVE PORT		
SCALE: 1/2 SIZE DATE: 8/14/98	DWG. NO. 87005-13	REV. -

REVISIONS



NOTE:

1. ELECTRODE TO BE .0640" $\pm 0.0000 / -0.0002$ THICK

QSource Inc.

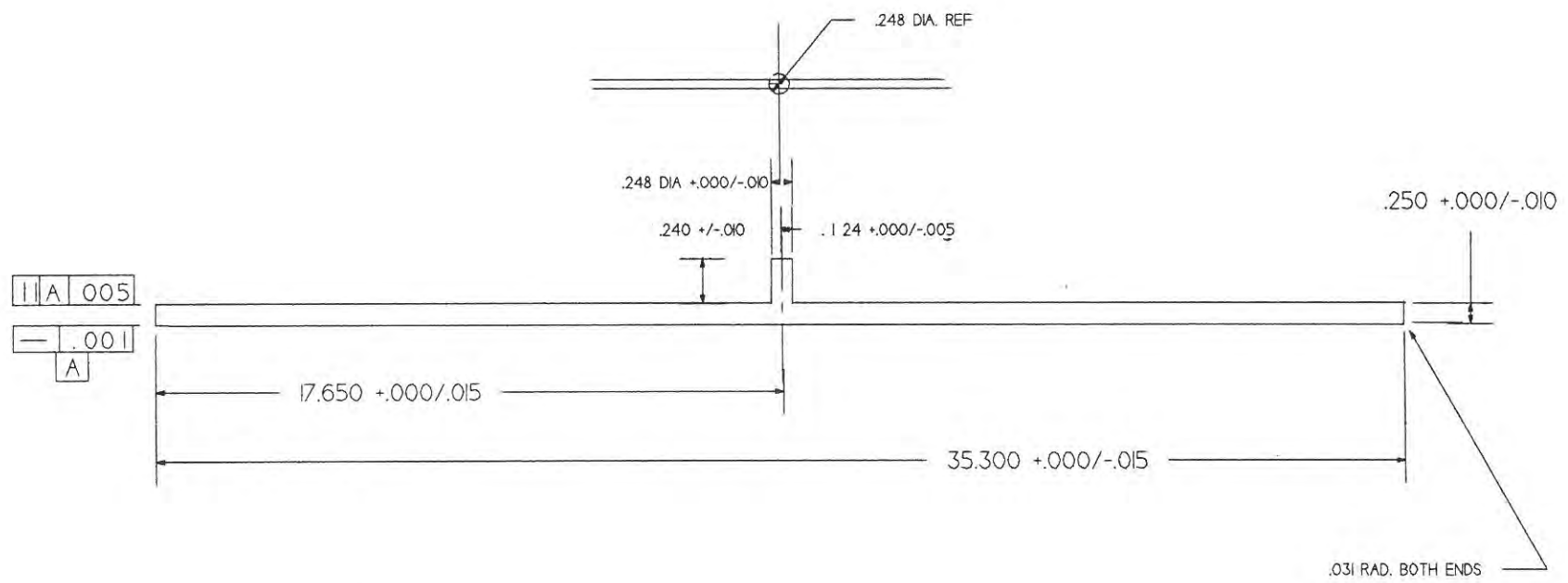
ELECTRODE
1 KW LASER ASSEMBLY
OFFSET

SCALE: 1/2 SIZE
DATE: 8/21/98

DWG. NO. 87004-15

REV.

REVISIONS



NOTE:

1. ELECTRODE TO BE .0640" $+0.0000/-0.0002$ THICK

QSource Inc.

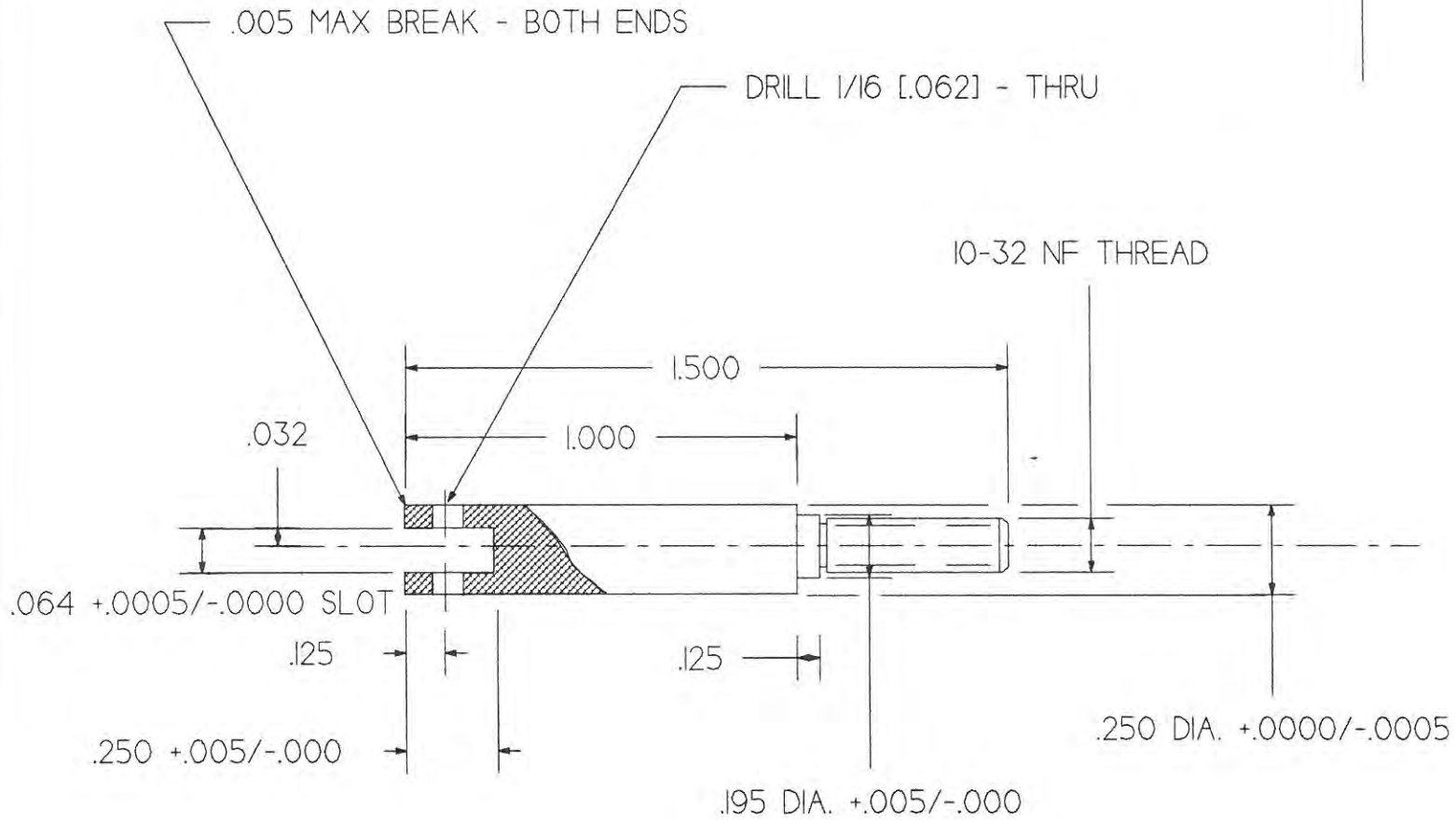
ELECTRODE
1 KW LASER ASSEMBLY
CENTER

SCALE: 1/2 SIZE
DATE: 8/21/98

DWG. NO. 87004-14

REV.

REVISIONS



NOTE:

1. MATERIAL - BRASS RD. BAR

QSource Inc.

CENTER - LOWER HALF
1 KW LASER ASSEMBLY
FEEDTHRU

SCALE: FULL
DATE: 8/21/98

DWG. NO. 87004-17

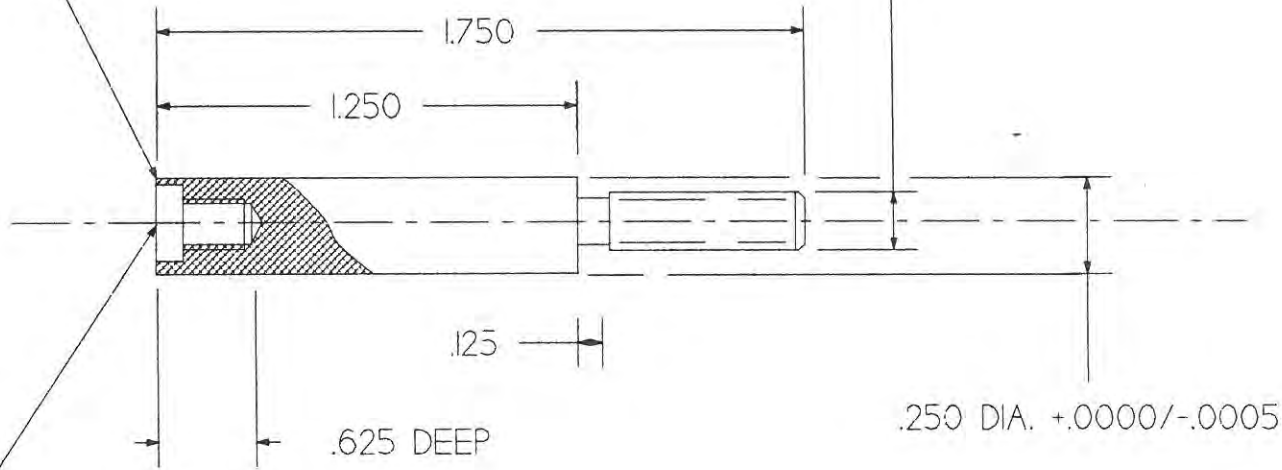
REV.

t300R

REVISIONS

.005 MAX BREAK - BOTH ENDS

10-32 NF THREAD



DRILL & TAP #10-32NF
 C BORE TO $.200$ DIA. x $.125$ DEEP

NOTE:

1. MATERIAL - BRASS RD. BAR

QSource Inc.

CENTER - UPPER HALF
 1 KW LASER ASSEMBLY
 FEEDTHRU

SCALE: FULL
 DATE: 8/21/98

DWG. NO. 87004-18

REV.