

HEADSET AND ADAPTERS

FOR
"HANDIE-COM" SERIES
 AND
"HANDIE-TALKIE" SERIES
FM TWO-WAY RADIOS

APPLICATION TABLE

MODEL	DESCRIPTION	RADIO TYPE	REQUIRED ADAPTER CABLE
NMN6064A	Headset with Boom Microphone	HT220 (Universal) HT220 (Remote) MH10/MH70 (Universal) MX300 Series MT500 Series	NKN6189A NKN6190A NKN6192A NKN6207A NLN4477A
NMN6065A	Headset with Cup Microphone	HT220 (Universal) HT220 (Remote) MH10/MH70 (Universal) MX300 Series MT500 Series	NKN6189A NKN6190A NKN6192A NKN6207A NLN4477A

1. DESCRIPTION

These headset and microphone kits are accessory units for Motorola FM Two-Way Radios. Cushioned earphones, noise-cancelling microphones, and push-to-talk switches are included. The earphones are worn with a metal nape spring at the back of the neck and an adjustable fabric band over the top of the head. Most bump caps or safety headgear may be worn over the headset without discomfort or interference. An adapter is included for a tight ear cushion fit when wearing eyeglasses. The headsets are equipped with a cord and a telephone type plug for connection to the appropriate adapter cable, as defined in the Application Table.

The headset with the boom microphone has a push-to-talk switch mounted on the left earphone. The cup microphone version has the push-to-talk switch on the microphone noise shield. The cup microphone model is for use in extreme high ambient noise areas.

2. OPERATION

a. If eyeglasses are worn, place the eyeglass adapters over each earpiece in front of the ears. Moisten larger earpiece bows for an easier slide fit.

b. Position the headset with the metal nape spring at the back of the neck and the fabric band over the top of the head.

c. If the ear cushions are not comfortably centered over the ears, pull up on the "Velcro" fastener outer edge to separate the fastener. Replace the fastener with the ear cushions centered.

d. Connect the headset plug to the adapter cable and pull the other end of the adapter cable around the back and over the left shoulder. Connect the adapter cable to the radio. Make sure that the earphone plug is pushed all the way into the adapter receptacle.

e. Adjust the boom microphone to about 1/4 inch from the lips or hold the cup microphone against the face.

f. To transmit, hold down the push-to-talk switch and speak loudly and distinctly into the microphone. Release the button to receive.

NOTE

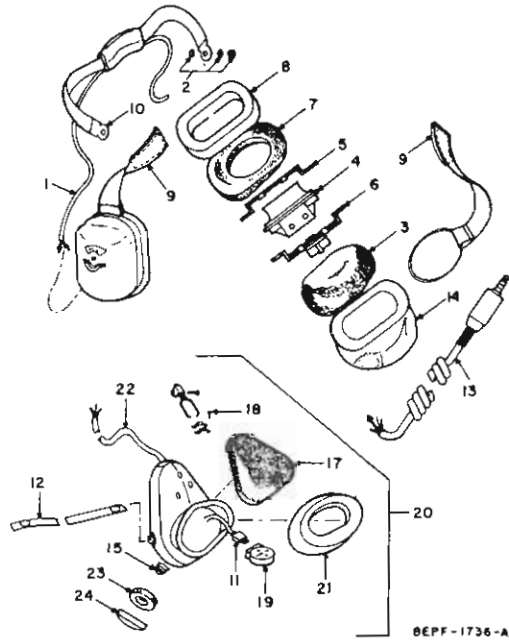
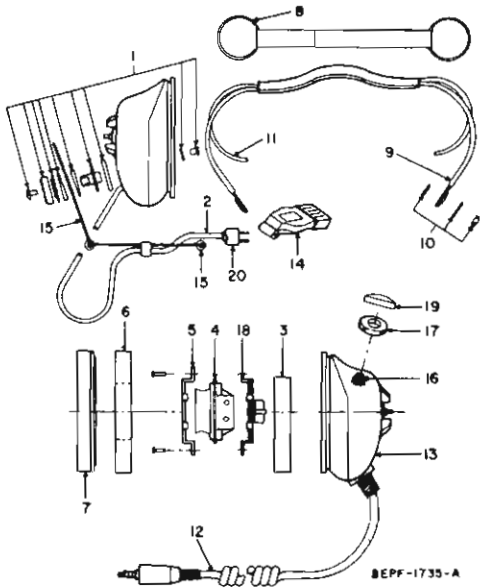
The microphone sensitivity is intentionally made low to achieve a high voice signal to ambient noise ratio.

3. CLEANING AND MAINTENANCE

Eyeglass adapters should occasionally be wiped lightly with soapy water, rinsed, and dried. They may be disinfected with alcohol or other mild disinfectant. Ear and mouth cushions may be treated in the same way using care not to over wet the sponge or cloth.

Inspect the cushion and adapter materials frequently and replace any part showing deterioration. Replacement of these parts may be required every few months under extreme conditions.

HEADSET - MICROPHONE EXPLODED VIEWS



EXPLODED VIEW PARTS LIST

NMN6064A Headset (Boom Microphone) PLF-491-A

ITEM NO.	DESCRIPTION	MOTOROLA PART NO.
1	BOOM GUIDE	0705284B25
2	ASSEMBLY, Cord; W2	See Note
3	FILTER	9105284B03
4	EARPHONE; LS1	See Note
5	RETAINER Earphone	4205284B05
6	FILTER, w/center hole	9105284B07
7	SEAL, Ear; 1 pair	3205284B08
8	ASSEMBLY, Support	0705284B09
9	ASSEMBLY, Nape Spring	4105284B10
10	KIT, Nut & Washer; 10 pkg	0205284B34
11	ASSEMBLY, Cord; W1	See Note
12	KIT, Coil Cord Assy. consists of plug & coil cord	4205284B39
13	KIT, L. H. Dome & Coil Cord Assy. consists of item 12 and L. H. Dome Housing	4205284B38
14	MICROPHONE; MK1	See Note
15	ASSEMBLY, Boom	0705284B29
16	SWITCH; S1	See Note
17	GUARD, Switch	4005284B35
18	ASSEMBLY, Terminal; E1	See Note
19	SHIELD, Switch	2605284B36
20	PLUG; P1	See Note
NONREFERENCED ITEM		
	ADAPTER, Eyeglass; 1 pkg	5805284B37

NOTE: REFER TO ELECTRICAL PARTS LIST

NMN6065A Headset (Cup Microphone) PLF-493-A

ITEM NO.	DESCRIPTION	MOTOROLA PART NO.
1	ASSEMBLY, Cord; W1	See Note
2	KIT, Nut & Washer; 10 pkg	0205284B34
3	FILTER	9105284B03
4	EARPHONE; LS1	See Note
5	RETAINER, Earphone	4205284B05
6	ASSEMBLY, Terminal; E1	See Note
7	FILTER, w/center hole	9105284B07
8	SEAL, Ear; 1 pair	3205284B08
9	ASSEMBLY, Support	0705284B09
10	ASSEMBLY, Nape Spring	4105284B10
11	PLUG; P1	See Note
12	ASSEMBLY, Adjusting Strap	4205284B12
13	KIT, Coil Cord Assy. consists of plug & coil cord	4205284B39
14	KIT, L. H. Dome & Coil Cord Assy. Dome Housing	4205284B40
15	SWITCH, S1	See Note
16	Not Used	
17	FILTER; Mic. Shield	9105284B17
18	ASSEMBLY, Complete Mic. Bracket	0705284B18
19	MICROPHONE; MK1	See Note
20	ASSEMBLY, Mic. Shield (complete w/mic.)	5005284B20
21	SEAL, Mic. Shield	3205284B21
22	CORD; W2	See Note
23	GUARD, Switch	4005284B35
24	SHIELD, Switch	2605284B36
NONREFERENCED ITEM		
	ADAPTER, Eyeglass; 1 pkg.	5805284B37

NOTE: REFER TO ELECTRICAL PARTS LIST

© 1973 by Motorola, Inc.
8000 W. Sunrise Blvd.
Ft. Lauderdale, FL 33322
Printed in U.S.A. 1978

ELECTRICAL PARTS LIST

NMN6064A Headset (Boom Microphone)

PLF-492-A

REFERENCE SYMBOL	MOTOROLA PART NO.	DESCRIPTION
C1, 2 E1 (Left) E1 (Right)	23P05284B32 29P05284B31 29P05284B06	<u>CAPACITOR, Fixed:</u> 15 μ F \pm 10%; 20 V Part of E1L Assembly, resistor-capacitor Assembly, transformer
LS1	5005284B04	<u>SPEAKER:</u> Earphone w/coupler
MK1	5005284B28	<u>MICROPHONE:</u> Type M87/A1C
P1	0205284B11	<u>PLUG:</u> type U-173/U
R1 R2	0600002037 0600131594	<u>RESISTOR, Fixed:</u> 56 ohms \pm 10%; 1 W Part of E1L 27 ohms \pm 10%; 1/4 W Part of E1L
S1	4005284B15	<u>SWITCH:</u> Push-to-Talk
T1	Part of E1R	<u>TRANSFORMER:</u>
W1	3005284B27	<u>CORD:</u> Electric wire No. CW2/24/ AWG/TS
W2	3005284B26	WD-34 Cable, MIL-C-5898

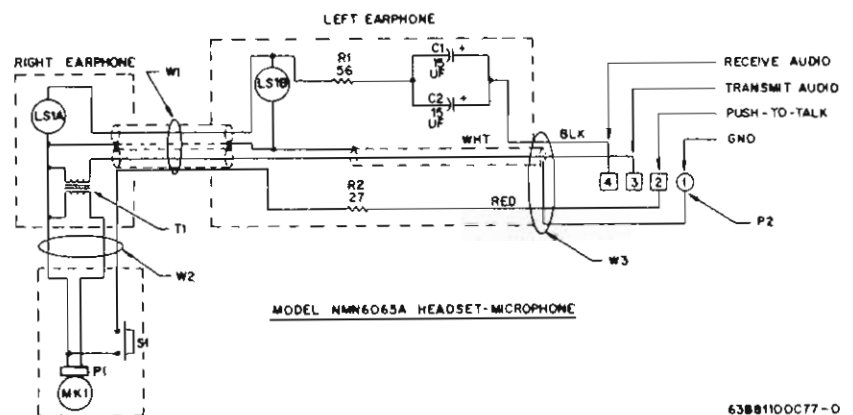
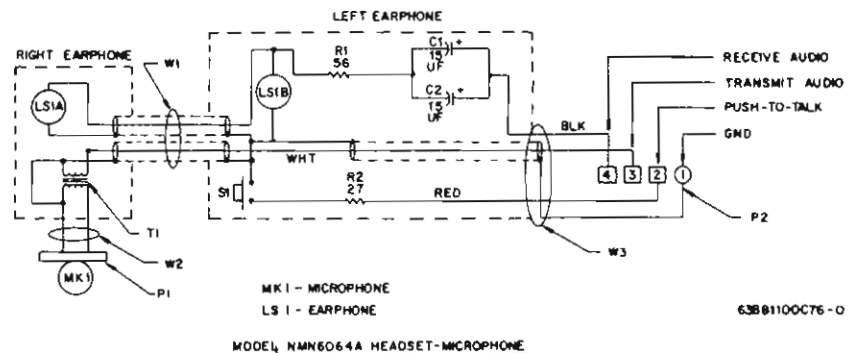
NMN6065A Headset (Cup Microphone)

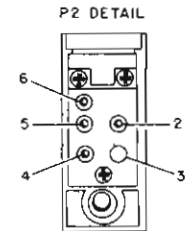
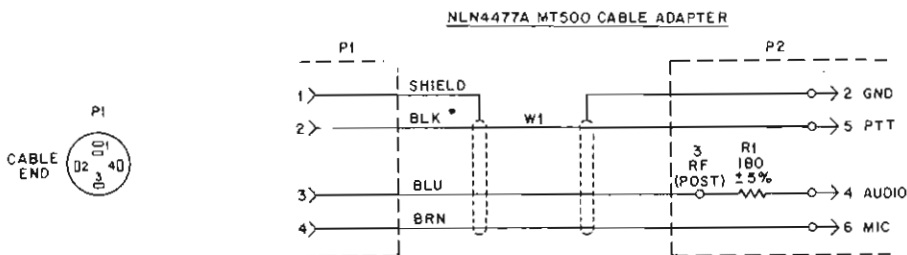
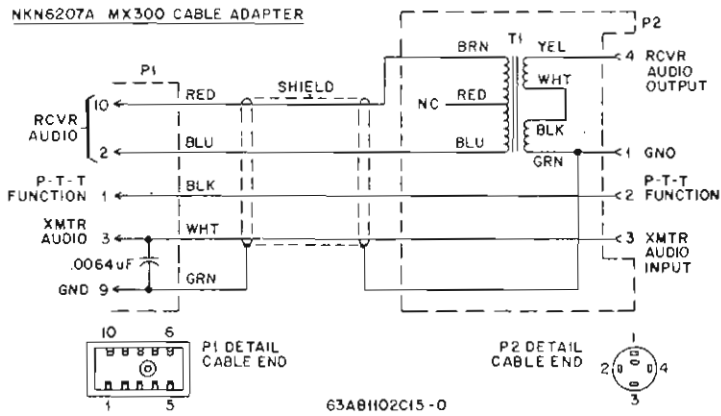
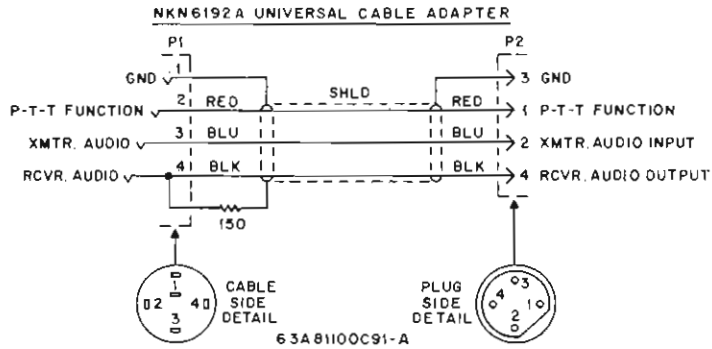
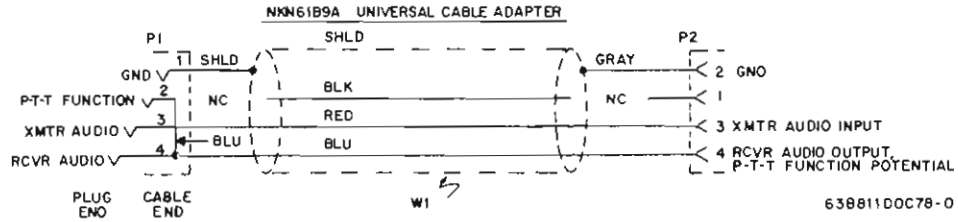
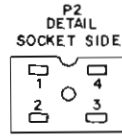
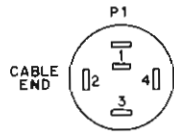
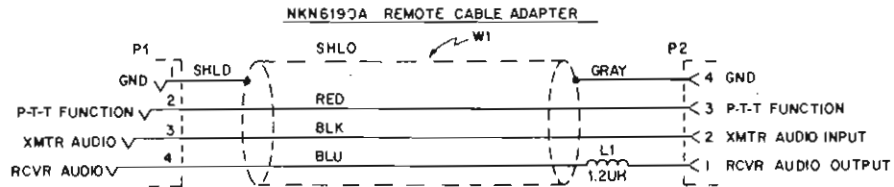
PLF-494-A

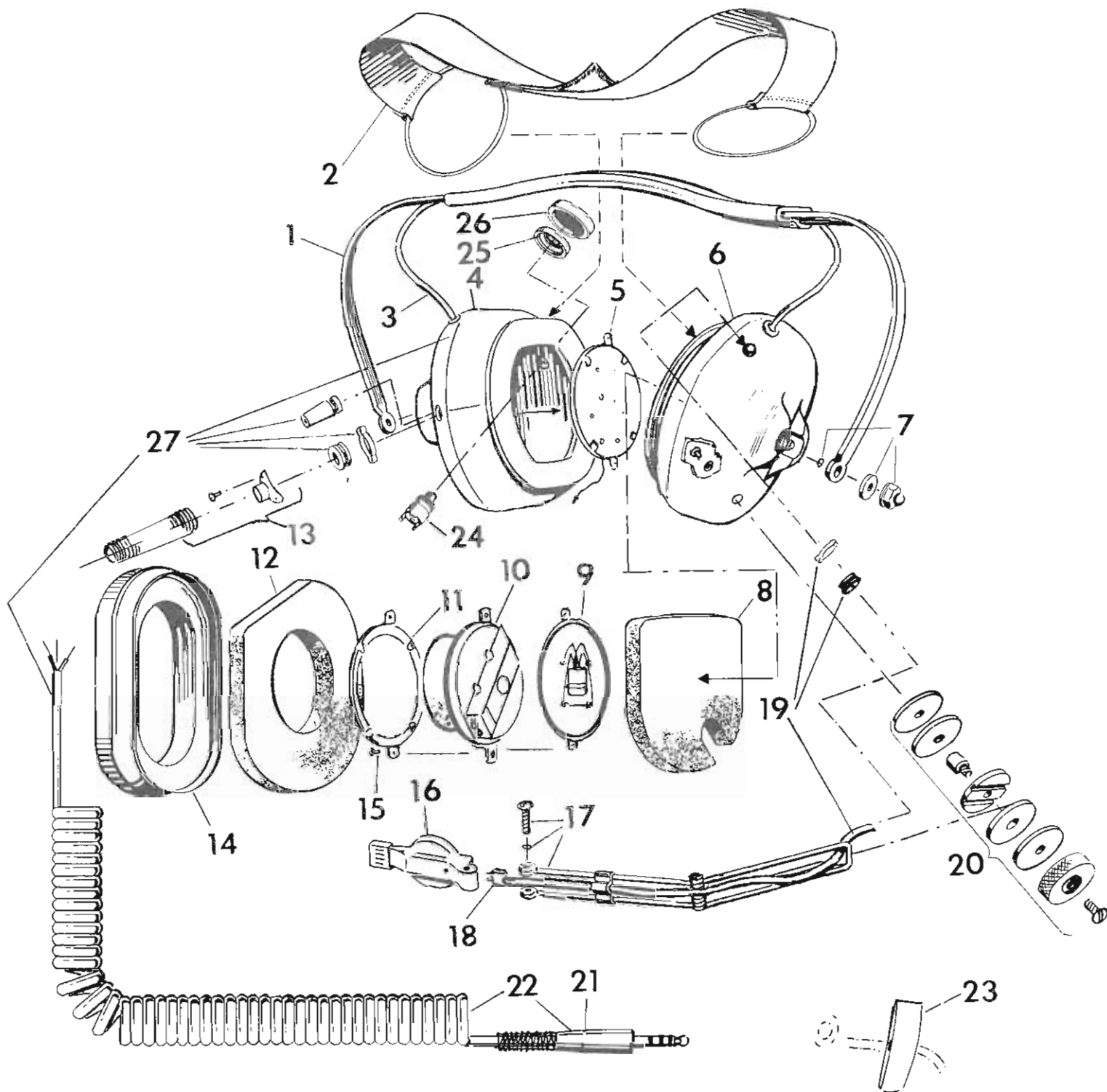
REFERENCE SYMBOL	MOTOROLA PART NO.	DESCRIPTION
C1, 2 E1 (Left) E1 (Right)	23P05284B32 29P05284B31 29P05284B06	<u>CAPACITOR, Fixed:</u> 15 μ F \pm 10%; 50 V part of E1L Assembly, resistor-capacitor Assembly, transformer
LS1	5005284B04	<u>SPEAKER:</u> Earphone, w/coupler
MK1	5005284B19	<u>MICROPHONE:</u> type M-101/A1C
P1	0205284B11	<u>PLUG:</u> type U-173/U
R1 R2	0600002037 0600131594	<u>RESISTOR, Fixed:</u> 56 ohms \pm 10%; 1 W part of E1L 27 ohms \pm 10%; 1/4 W part of E1L
S1	4005284B15	<u>SWITCH:</u> Push-to-Talk
T1	Part of E1R	<u>TRANSFORMER:</u>
W1	3005284B01	<u>CORD:</u> Electric Wire: 3-conductor, 2 shielded, 1 unshielded
W2	3005284B22	Mic. extension w/U-173/'t' plug WT-15 cable, MIL-C-10392B



Typical Installation
of Headset - Microphone







Item No.	Motorola P/N	Description	DCCI P/N
1	4105284810	Assembly, Nape Spring	101176-25
2	0705284809	Assembly, Support	10370G-03
3	3005284827	Assembly, Cord (W1)	12662G-02
4		Dome, Left	11407P-15
		Dome, Left (W/inserts)	12880G-01
5	29P05284B31	Assembly, Terminal (Res. - Cap.) (E1) (Left)	12596G-03
6		Dome, Right	11407P-16
7	0205284834	Kit, Nut and Washer	12052G-01
8	9105284803	Filter	11410P-02
9	29P05284B06	Assembly, Terminal (Transformer) (E1) (Right)	12596G-01
10	5005284804	Earphone, W/Coupler (LS1)	10376G-13
11	4205284805	Retainer, Earphone	17677P-04
12	9105284807	Filter W/Center Hole	25629P-05
13		Spring and Base Assembly	22608G-01
14	3205284808	Ear Seal (pair)	18316G-02
15		Screws (10/pkg)	13180P-03
16	5005284828	Microphone, M-87/AIC (MK1)	09168P-18
17	0705284829	Assembly, Boom	12765G-03
18	0205284811	Plug U-173/U (P1)	09226P-01
19	3005284826	Assembly, Cord (W2)	18315G-07
20	0705284825	Kit, Boom Guide	12840G-03
21	2805284816	Plug, U-93A/U (P2)	14120P-01
22	3005284813	Coil Cord Assembly W/Plug (W3)	12654G-02
23	5805284837	Adapter, Eyeglass (50/pr) (Sold by Case Only)	12500G-03
24	4005284815	Switch (S1)	14033P-01
25	4005284835	Guard, Switch	26553P-03
26	2605284836	Shield, Switch	17976P-01
27	4205284838	Dome, Left & Coil Cord Kit	12891G-01

