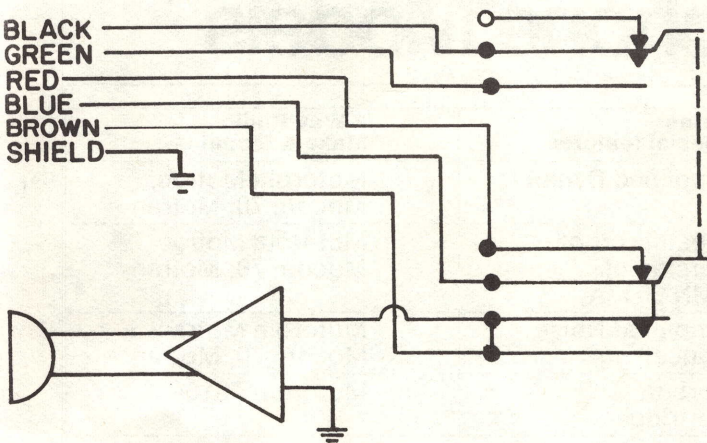
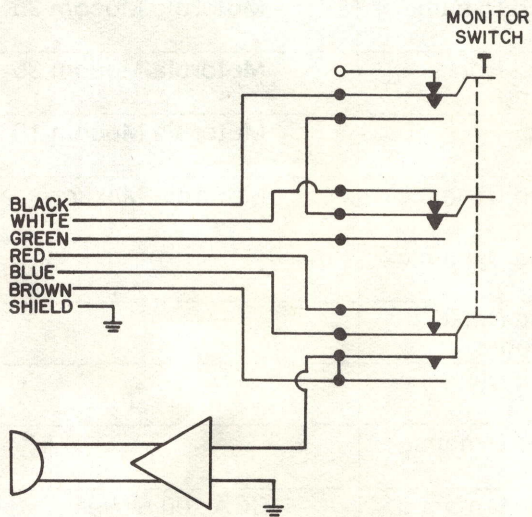


Wiring Diagram for those Landcom Microphones not direct wired for radios.

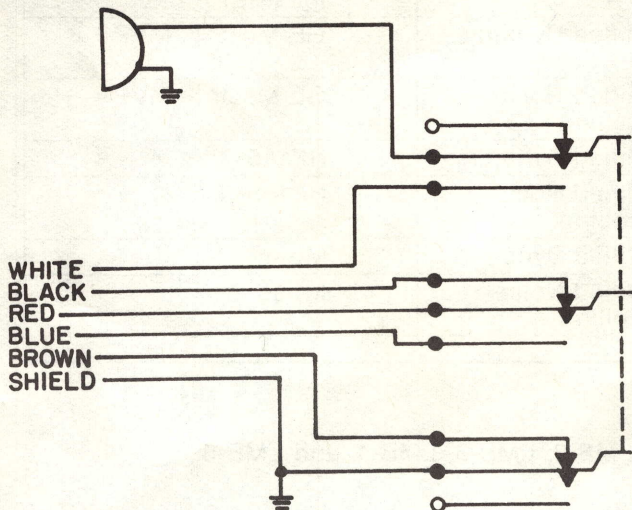
## LMB-1



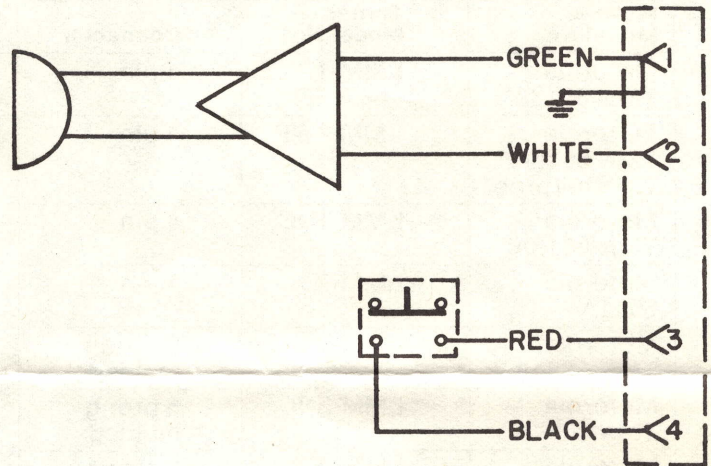
## LMB-2



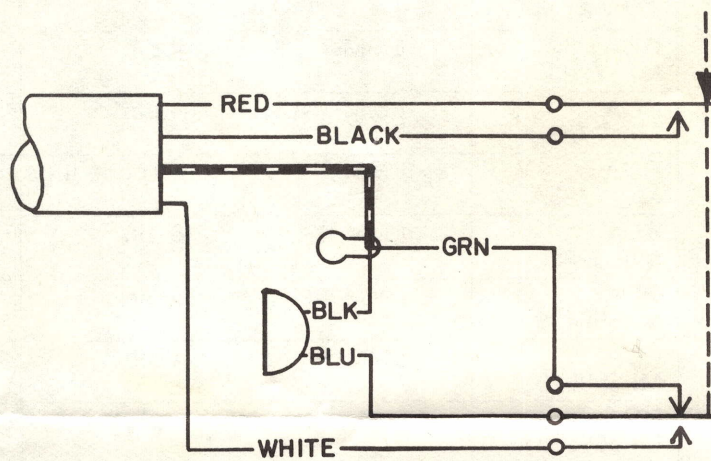
## LMB-3



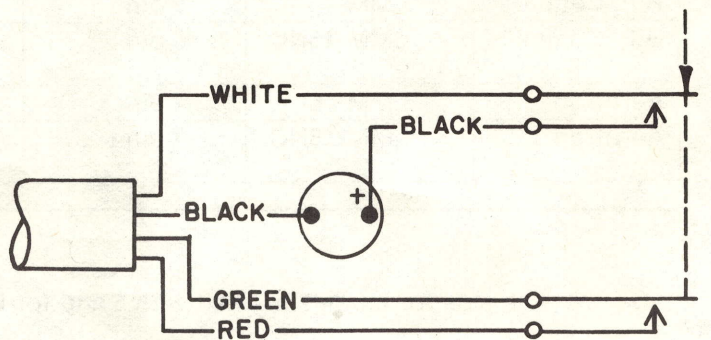
## LMB-4 LMB-5



## LMM-5



## LMM-8



# TURNER LAND COM

## Replacement Microphone Models \*

Make & Model No.	Turner Model No.	Connector	Turner special features	2-Way Radio Make & Model
Motorola TMN 6013A	LMM-1	4 pin	Amplified Dynamic	Motorola Motrac, Mocom 70, Motran
Motorola TMN 6018A Weatherproof	LMM-1WP	4 pin	Weatherproof Version of TMN 6013A	Motorola Motrac, Mocom 70, Motran
Motorola TMN 6013A	LMM-1NC	4 pin	Amplified Noise Cancelling	Motorola Motrac, Mocom 70, Motran
Motorola 6011A	LMM-2	4 pin	Carbon Cartridge	Motorola T51G
Motorola TMN 6054A	LMM-3	5 prong molded	Amplified Dynamic	Motorola Micor
Motorola TMN 6054A	LMM-3NC	5 prong molded	Amplified Noise Cancelling	Motorola Micor
Motorola TMN 6055A	LMM-4	5 prong	Amplified Dynamic	Motorola Mocom 35
Motorola TMN 6055A	LMM-4NC	5 prong	Amplified Noise Cancelling	Motorola Mocom 35
Motorola TMN 6049A	* LMM-5	4 spade lugs	Dynamic	Motorola Mocom 10
Motorola TMN 6104A	LMM-6	4 pin tips	Amplified Dynamic	Motorola Maxar
RCA MI 17723	LMM-7	4 pin	Amplified Dynamic	
RCA MI 17723	LMM-7NC	4 pin	Amplified Noise Cancelling	
RCA MI 17723A	* LMM-8	4 spade lugs	Amplified Dynamic	
RCA MI 559232	LMM-9	6 pin	Amplified Dynamic	
RCA MI 559439	LMM-10	6 pin	Amplified Dynamic	RCA 700 Series
RCA MI 559575	LMM-11	6 pin	Amplified Dynamic	
RCA MI 559575A	LMM-12	6 pin	Hang Up Switch	
GE EM 25A	LMM-13	4 pin	Dynamic	GE Mastr, Mastr Pro
GE 19C3/20270G1	LMM-14	5 pin plastic	Amplified Dynamic	GE Mastr II, MVP
GE 19C3/20270G1	LMM-14NC	5 pin plastic	Amplified Noise Cancelling	GE Mastr II, MVP
R.F. Comm.	LMM-15	6 pin	Amplified Dynamic	RF1551T
R.F. Comm.	LMM-15NC	6 pin	Amplified Noise Cancelling	RF1551T
Aerotron	LMM-16	4 pin	Amplified Dynamic	Mpac
Aerotron	LMM-16NC	4 pin	Amplified Noise Cancelling	Mpac

C91164

\* See reverse side for models marked with \* and for LMB-1, LMB-2, LMB-3, LMB-4, and LMB-5.