



**american
security
equipment
company**

U.S. MAIN OFFICE :
228 EAST STAR OF INDIA LANE
CARSON, CALIFORNIA 90746
PHONE : (213)538-4670
TELEX : 69-8241
FAX : (213)538-9932

U.S. EASTCOAST OFFICE :
P.O. BOX 808
30F CHAPIN ROAD
PINE BROOK N.J. 07058 U.S.A.
PHONE : (201)575-4433
FAX : (201)575-5504

OPERATION MANUAL

MANUAL SHEET NO. SFHX43-02

FIRE ALARM SPEAKER

“For Fire Protective Signaling Use.”

SFHX-43-SS (Surface Type)

SFHX-43-RS (Recessed Type)



General Description

The SFHX-43 is for fire protective signaling use, and is available in 2 models.

The SFHX-43-SS(Surface Type, Single Voice Coil) and the SFHX-43-RS(Recessed Type, Single Voice Coil)

The housing of the recessed mount model is made of brushed stainless steel while that of the surface mount model is aluminum die cast with red coating.

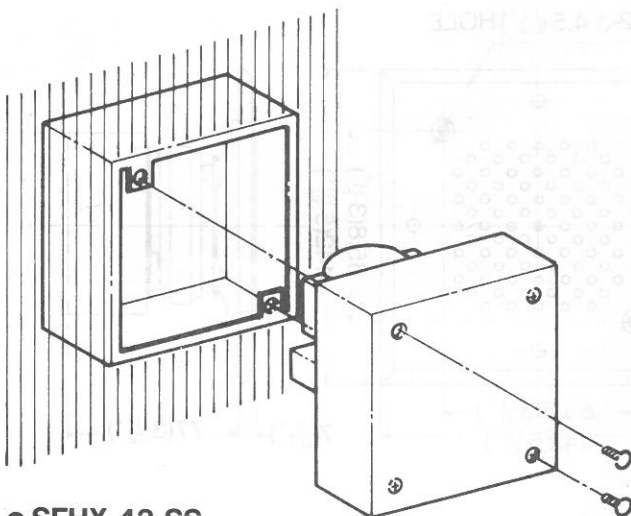
This speaker can be installed indoor only and provides multiple outputs, $\frac{1}{2}$ W, 1W & 2W, with built-in transformer. Available in 2 Types, 70.7V and 25V.

Specification

- Rated Input Voltage ————— 70.7V or 25V
- Input Power ————— $\frac{1}{2}$ W, 1W & 2W
- Frequency ————— 400~4000 Hz
- Sound Pressure Level ————— 84 dB/10ft at $\frac{1}{2}$ W
87 dB/10ft at 1W
90 dB/10ft at 2W

Installation

Fig. 1

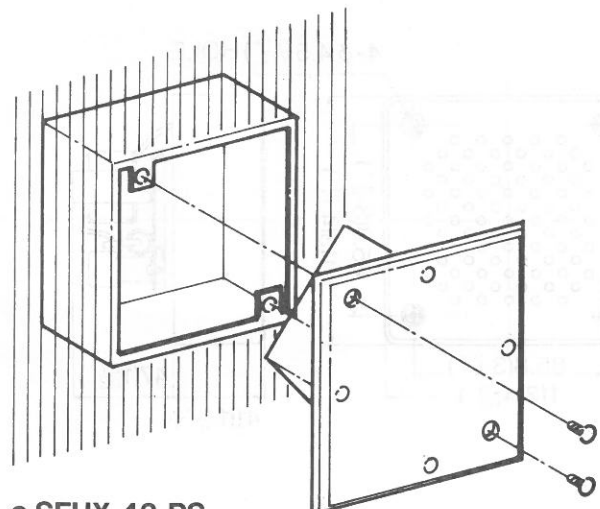


● SFHX-43-SS (Surface Type)

○ Should be used 4 inch electric box with over 2"(50mm) depth for mounting.

○ Install as shown in Fig. 1.

Fig. 2



● SFHX-43-RS (Recessed Type)

○ Should be used 4 inch electric box with over 4" (95 mm) depth for mounting.

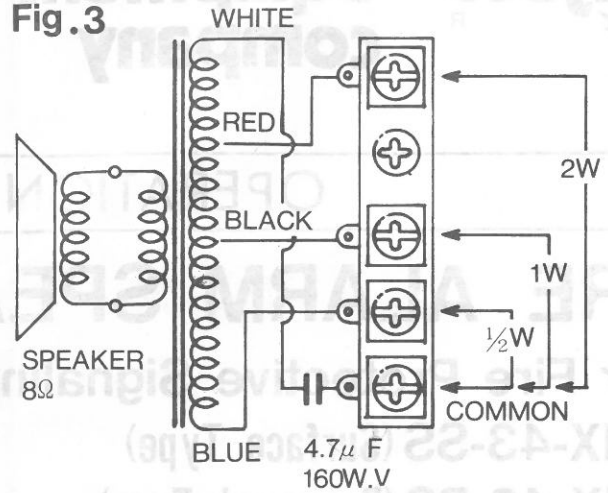
○ Install as shown in Fig. 2.

SFHX-43-SS & SFHX-43-RS

Diagram

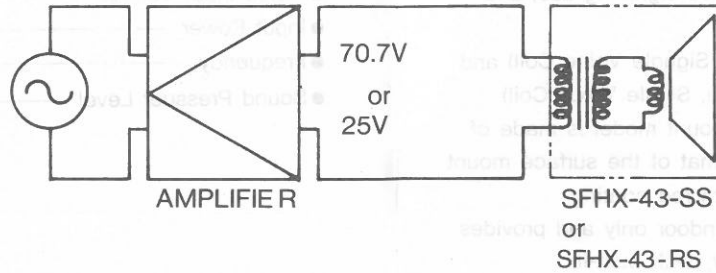
It may be wired between these terminals as shown in Fig.3.

It provides $\frac{1}{2}W$, 1W, and 2W outputs with the built-in transformer.



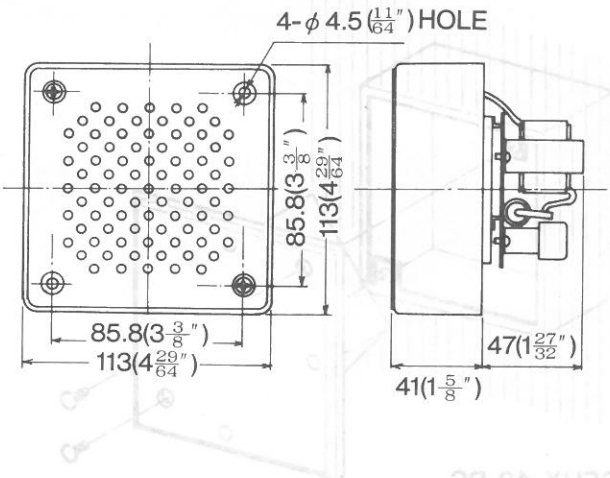
Standard Wiring

Fig. 4

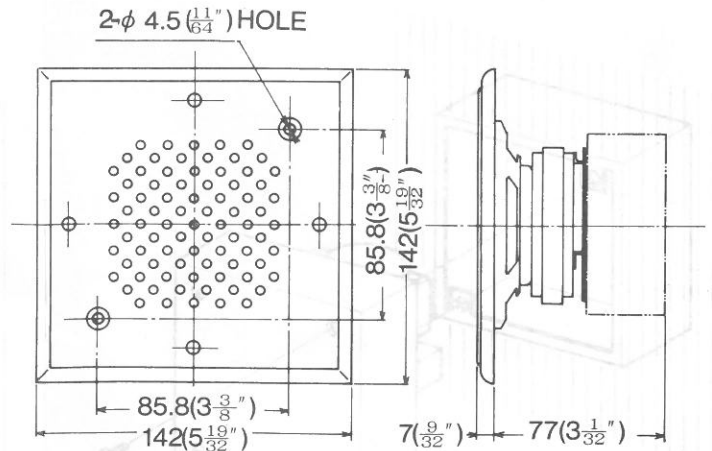


Dimensions : mm(inch)

■ SFHX-43-SS



■ SFHX-43-RS



Caution

- 1) Do not connect as input at more than 70.7V(or 25V).
- 2) Do not use outdoors. Only indoor use.