

ANC MICROPHONE

ACTIVE NOISE CANCELLATION

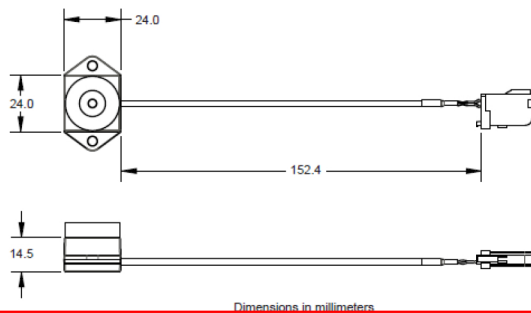
Specifications

Part Number	M4014
Sensitivity	-13.0 ± 3.5 dBV @100Hz, nominal
Typical Frequency Response	See Diagram
Output Impedance	<50 Ω @ 1kHz
Electrical Interface	2-Wire, See Wire Diagram
Supply Voltage	9.0 V DC
Test Condition/Bias Circuit	9V, 1kΩ, See Wire Diagram
Current Consumption	5 mA Maximum
SNR	60 dBA Minimum (1 kHz for 1 Pa)
Self Noise	<34 dBA
Total Harmonic Distortion	5% Maximum (1kHz @ 110dB SPL)
Directivity	Omnidirectional
Nominal Phase, 25°C	-166 deg @ 30 Hz -176 deg @ 100 Hz -179 deg @ 200 Hz

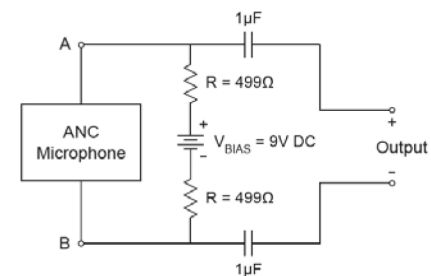
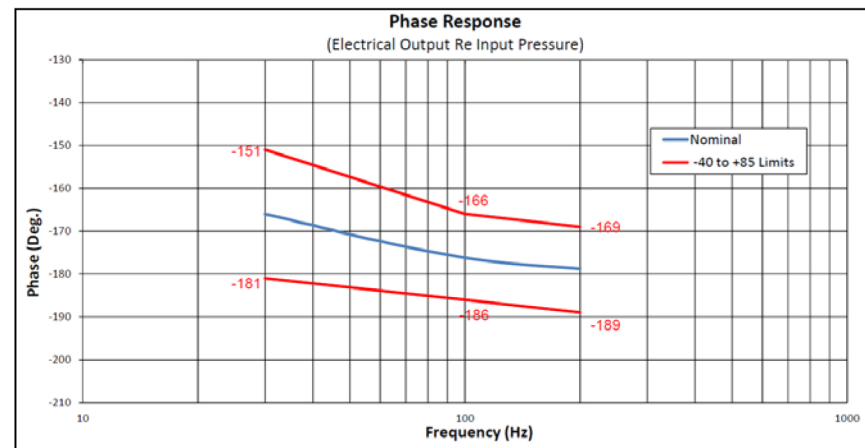
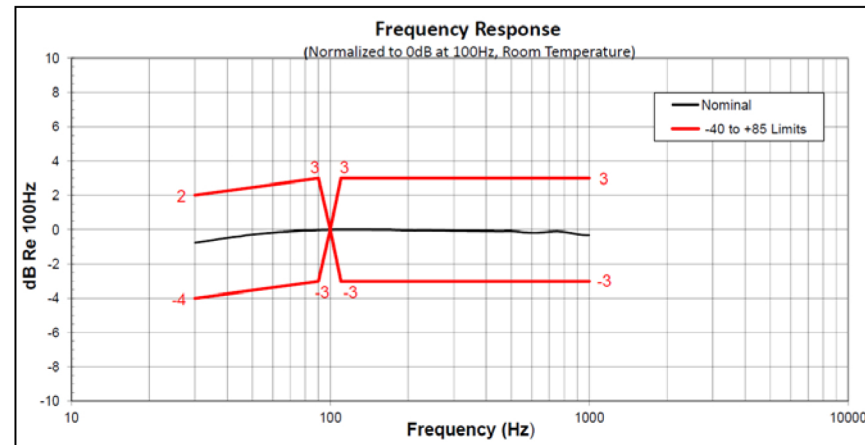
Output Phase Deviation Relative to Nominal	-40 to +85°C ±15 deg @ 30 Hz ±10 deg @ 100 Hz ±10 deg @ 200 Hz
---	---

Physical Specifications

Housing Material	Plastic, ABS+PC
Weight	10 ±0.5 grams
Connector Housing	JST: AIT2PB-02A-1AK
Terminals	JST: SAIT-A03T-M064
Harness Length	152.4 ±3 mm



Above mechanical packaging and connector can be adapted to customer applications



PRELIMINARY