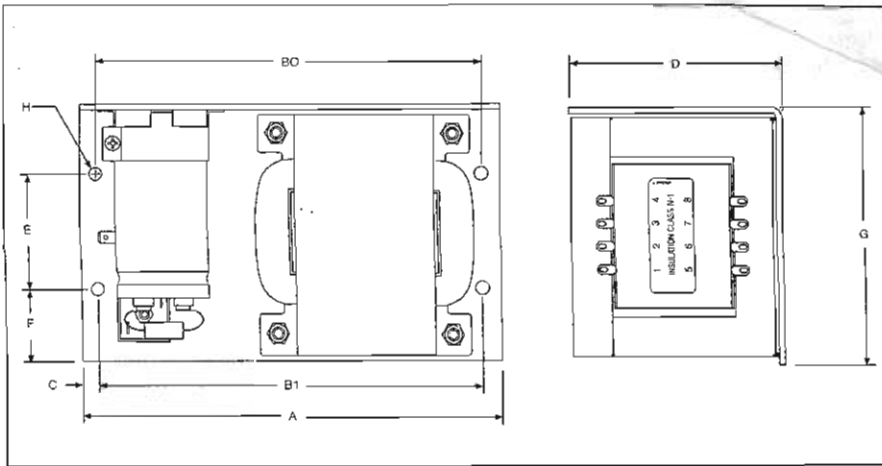


PHYSICAL DIMENSIONS



B₀—Outside mounting hole centerline. B₁—Inside mounting hole centerline.

SERIES	DIMENSIONS														WEIGHT				
	A		B ₀		B ₁		C		D		E		F		G		H MTG. DIA. In.	Lbs.	kg
	In.	mm	In.	mm	In.	mm	In.	mm	In.	mm	In.	mm	In.	mm					
15B	4.62	117.3	4.00	101.6	NA	NA	.31	7.9	2.09	53.1	1.60	40.6	.31	7.9	2.75	69.8	.20	1.7	0.8
30B	5.88	149.3	5.38	136.6	NA	NA	.25	6.3	2.72	69.1	2.19	55.6	.31	7.9	3.25	82.5	.22	2.6	1.2
60B	6.25	158.7	5.65	143.5	5.15	130.8	.25	6.3	3.00	76.2	2.73	69.3	.35	8.9	3.71	94.2	.22	4.0	1.8
100B	7.12	180.8	6.42	163.1	5.87	149.1	.35	8.9	3.25	82.5	2.88	73.1	.30	7.6	4.00	101.6	.22	6.7	3.0
200B	8.10	205.7	7.50	190.5	6.90	175.3	.25	6.3	3.88	98.5	3.80	96.5	.30	7.6	5.00	127.0	.26	12.2	5.5
500B	9.00	228.6	8.24	207.6	NA	NA	.35	8.9	4.62	117.3	2.50	63.5	1.56	39.6	5.62	142.7	.28	20.0	9.1
750B	9.50	241.3	8.50	215.9	NA	NA	.50	12.7	5.56	141.2	6.62	168.1	.50	12.7	8.00	203.2	.28	28.5	12.9

Figure 3
Black-Line Series Mounting and Dimensions



Acme Electric Corporation

Power Distribution Products Division

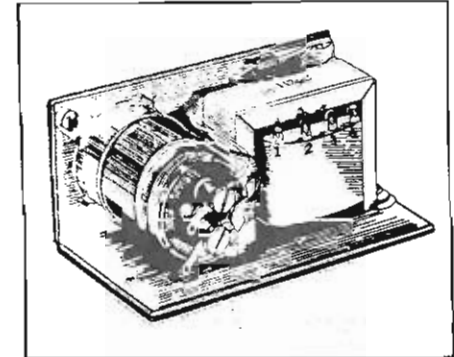
Instructions and Hook-up Information When Installing this product...

1. Read these instructions carefully. Failure to follow them could result in personal injury, damage to the product or cause a hazardous condition.
2. Check the specifications given in these instructions to make sure the product is suitable for your application.
3. Installer must be a trained, experienced electrical technician.

General Description

The "Black-Line" is a low cost alternative for many DC power applications where regulation is not needed. It provides "raw power," high-quality components assuring reliable performance in unregulated applications such as powering solenoids, DC motors, relays, lamps and signal systems. For maximum versatility, all units feature a floating output which may be referenced to another low voltage, common ground, or placed in series with another DC voltage.

Input Connections: A nominal 115/230 Vac can be applied to the Black-Line power supply. Input taps are labeled on the transformer and should be carefully selected.



115 Volt Input: Connect nominal 115 Vac, 50/60 Hz, power to terminals 1 and 3 of transformer. Taps 1 and 2 will give a higher output voltage for the same load, while taps 1 and 4 will give a lower output voltage. Figure 1 shows line and jumper alternate line connections:

SHOCK HAZARD

Do not hook up to live high voltage input lines. Personal injury could result.

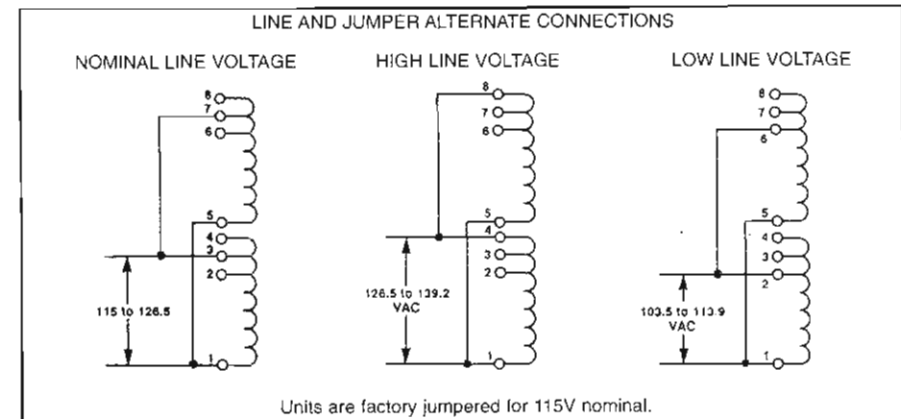


Figure 1
115 Vac Input Hookups



Acme Electric Corporation

Power Distribution Products Division

230 Volt Input: Connect Nominal 230 Vac, 50/60 Hz, to terminals 1 and 7, taps 1 and 6 will give a higher output voltage for the same load and taps 1 and 8 will give a lower output voltage. Figure 2 provides 230V hookup diagram.

Output Connections: Conductors of the appropriate gauge/size on all outputs is essential. When using stranded wire, "tin" for optimum results. Table 1 provides an output load chart for all models.

15B Series through 200B Series:

Connections are made to the terminals on the large filter capacitor. Red lead is positive.

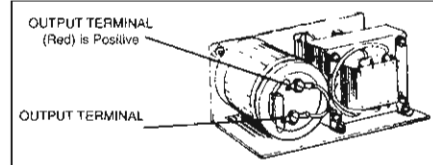
500B Series: Connect negative terminal to the negative of the large filter capacitor. The positive connection is made to the fuse terminal.

750B Series: Connections are made to the output terminal strip marked + and -.

Input Protection: Line fusing protection for 115 Vac input should be selected in accordance with the 115 Volt Input Fusing Chart.

Black-line Model	Line* Rating (115V IN)
15B	.500A
30B	.750A
60B	2.000A
100B	2.000A
200B	4.000A
500B	9.000A
750B	15.000A

* Normal blow recommended



Output Fusing: Depending on the Black-Line model, secondary fusing is not always located at the output, but may be between the transformer and output capacitor. When an output overload occurs, the capacitor will discharge to the load before this fuse opens.

CAUTION
*Use only 3AG fuses of the rating in Table 1 that corresponds to your power supply.

* For voltages > 32V use ABC
* For voltages ≤ 32V use AGC

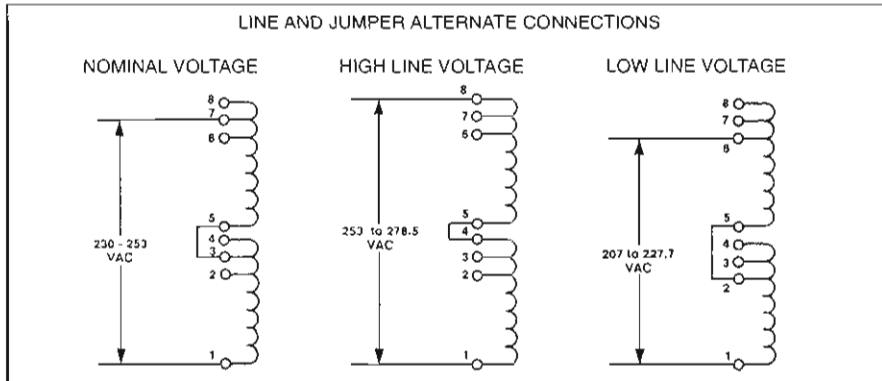


Figure 2
230 Vac Input Hookups

TABLE 1

POWER SUPPLY Catalog Number	TYPICAL VDC OUTPUT			
	NO LOAD (volts)	HALF LOAD (Volts)	FULL LOAD (Volts)	FULL LOAD (Amps)
15B7HA	11.2	8.7	7.4	1.8
15B12HA	16.4	13.8	11.2	1.2
15B16HA	22.1	19.0	16.7	0.9
15B24HA	32.0	28.0	25.0	0.6
30B7HA	11.0	9.1	7.9	3.0
30B12HA	16.0	13.3	11.5	2.4
30B20HA	26.4	22.9	20.4	1.5
30B24HA	33.4	29.1	25.7	1.2
60B7HA	10.2	8.4	7.5	6.0
60B12HA	15.8	13.4	12.0	4.8
60B20HA	25.0	21.9	20.0	3.0
60B24HA	30.4	26.8	24.6	2.4
100B7HA	10.6	8.8	7.9	10.0
100B12HA	14.8	12.9	11.7	7.0
100B20HA	23.3	20.8	19.3	5.0
100B24HA	30.6	27.5	25.4	3.5
100B48HA	56.3	51.0	47.9	1.8
200B7HA	12.3	9.5	8.2	20.0
200B12HA	15.4	12.5	11.3	15.0
200B20HA	26.8	22.5	20.3	10.0
200B24HA	34.4	29.5	27.1	7.5
200B48HA	58.9	48.2	46.5	4.0
500B24HA	31.0	28.4	26.7	20.0
500B48HA	59.7	50.2	47.8	10.0
750B24HA	33.3	27.7	25.5	30.0
750B48HA	58.5	49.7	48.5	15.0

Standard Features

- UL recognized
- High quality transformer
- Open-frame construction maximizes thermal dissipation
- Floating output
- Computer-grade capacitors

Electrical Specifications

AC Input

Voltage: Input voltage is selectable by transformer taps for 115 or 230 Vac with ±10% taps. Highline tolerance on voltage is ±10%.

DC Output

Voltage ratings: See Table 1. Typical ripple is 3% rms at nominal line voltage at full rated load.

Environmental Specifications

Temperature range: 0-40°C (derate linearly to 60% operating level at 70°C)

Safety Specifications

Recognized: "Black-Line" DC power supplies are designed to meet the safety standards of UL1950. Units are UL recognized under File #E137737.



Two Year Warranty

Acme Electric warrants that our power supplies will be free from defects in material and workmanship. Acme Electric will repair or replace products if found to be defective within two years from date of manufacture. The complete warranty appears on the accompanying registration card. Please complete this card and return to Acme.

Black-Line Mechanical Specs

Mounting: These power supplies are mounted on a 0.125" thick aluminum chassis with anodized finish. Figure 3 on page 4 provides dimensions, weight and installation data for all units.