
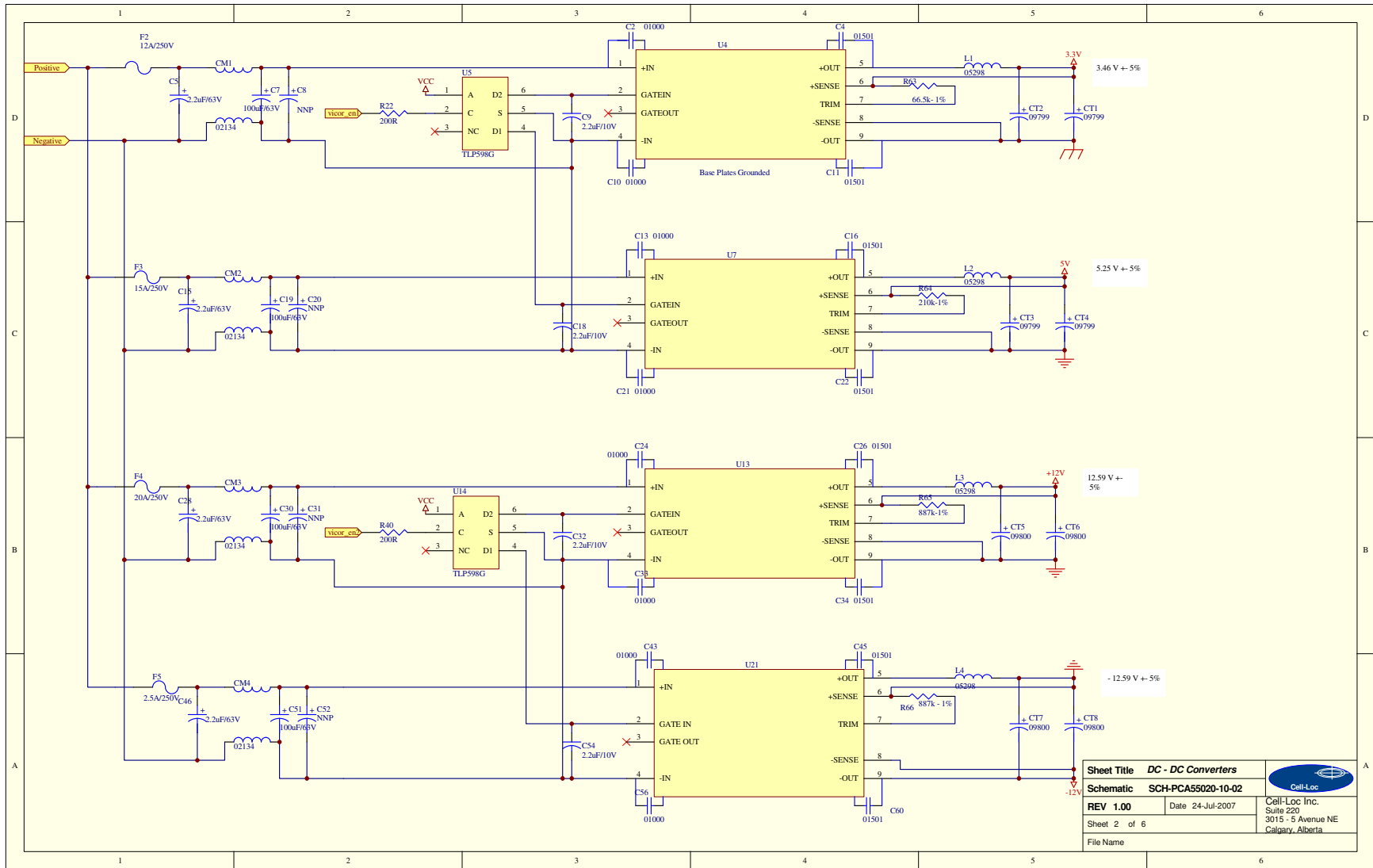
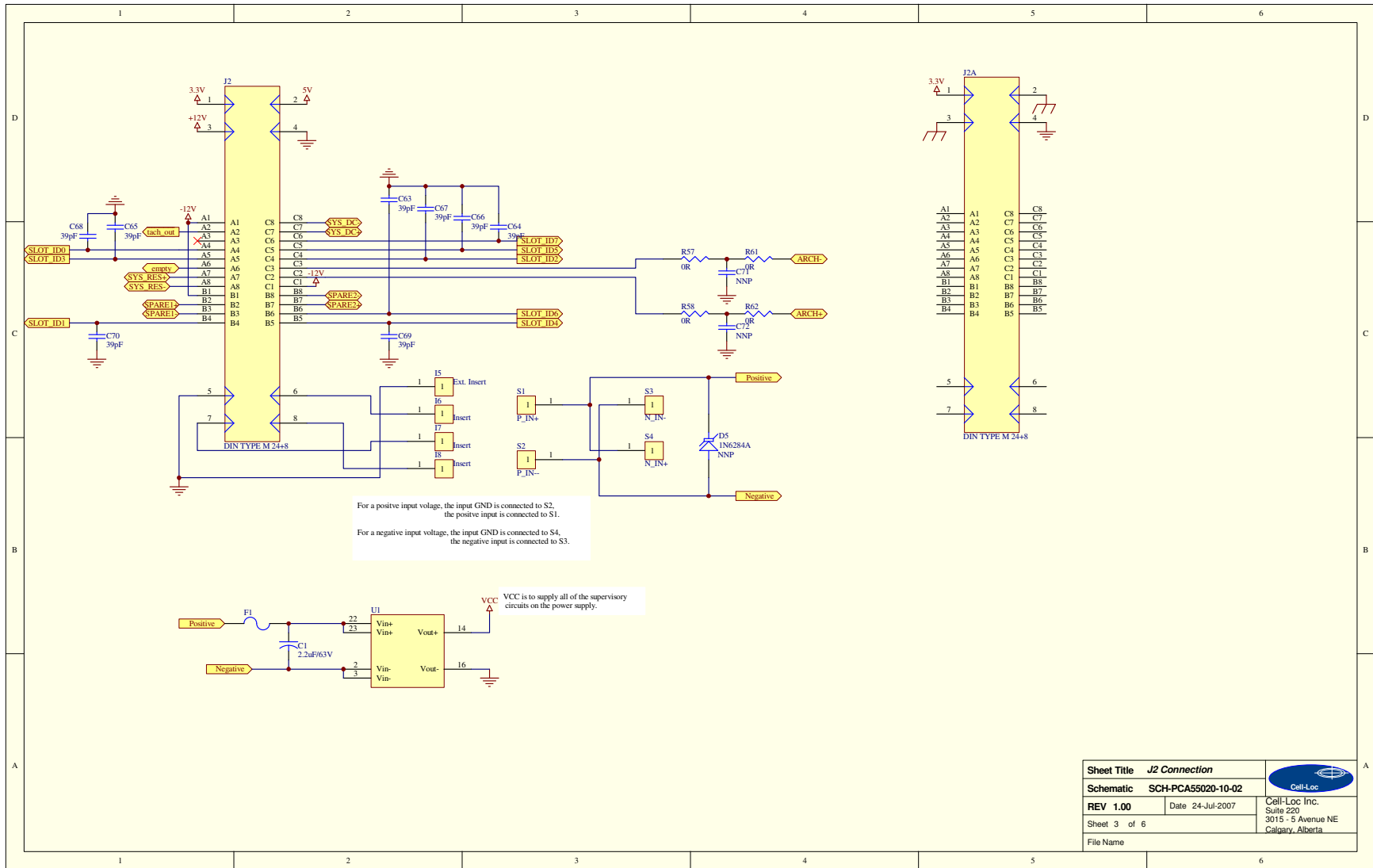
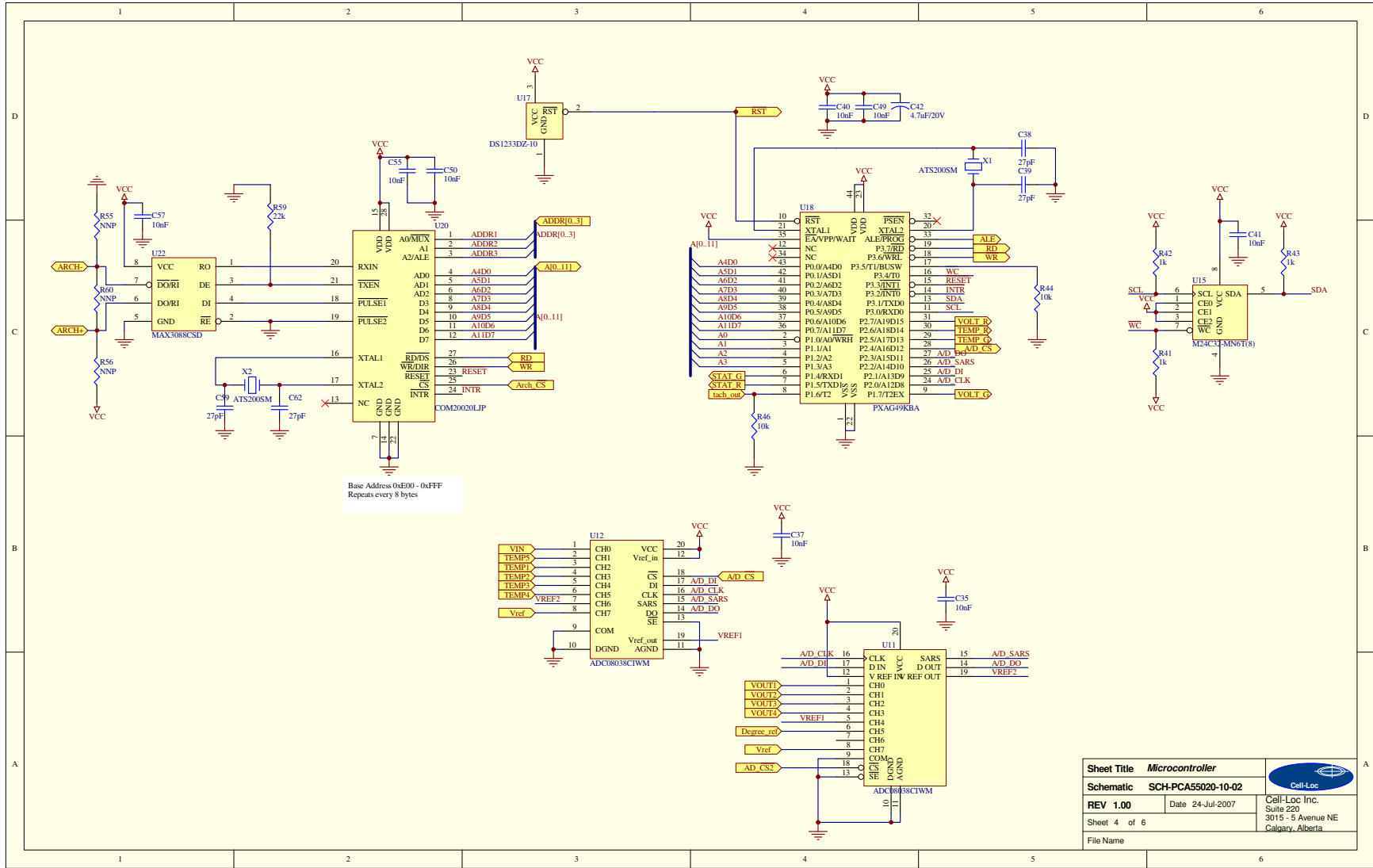


Sheet Title <b>Power Supply Module</b>		
Schematic <b>SCH-PCA55020-10-02</b>		
REV <b>1.00</b>	Date <b>24-Jul-2007</b>	Cell-Loc Inc. Suite 220 3015 - 5 Avenue NE Calgary, Alberta
Sheet 1 of 6		
File Name		

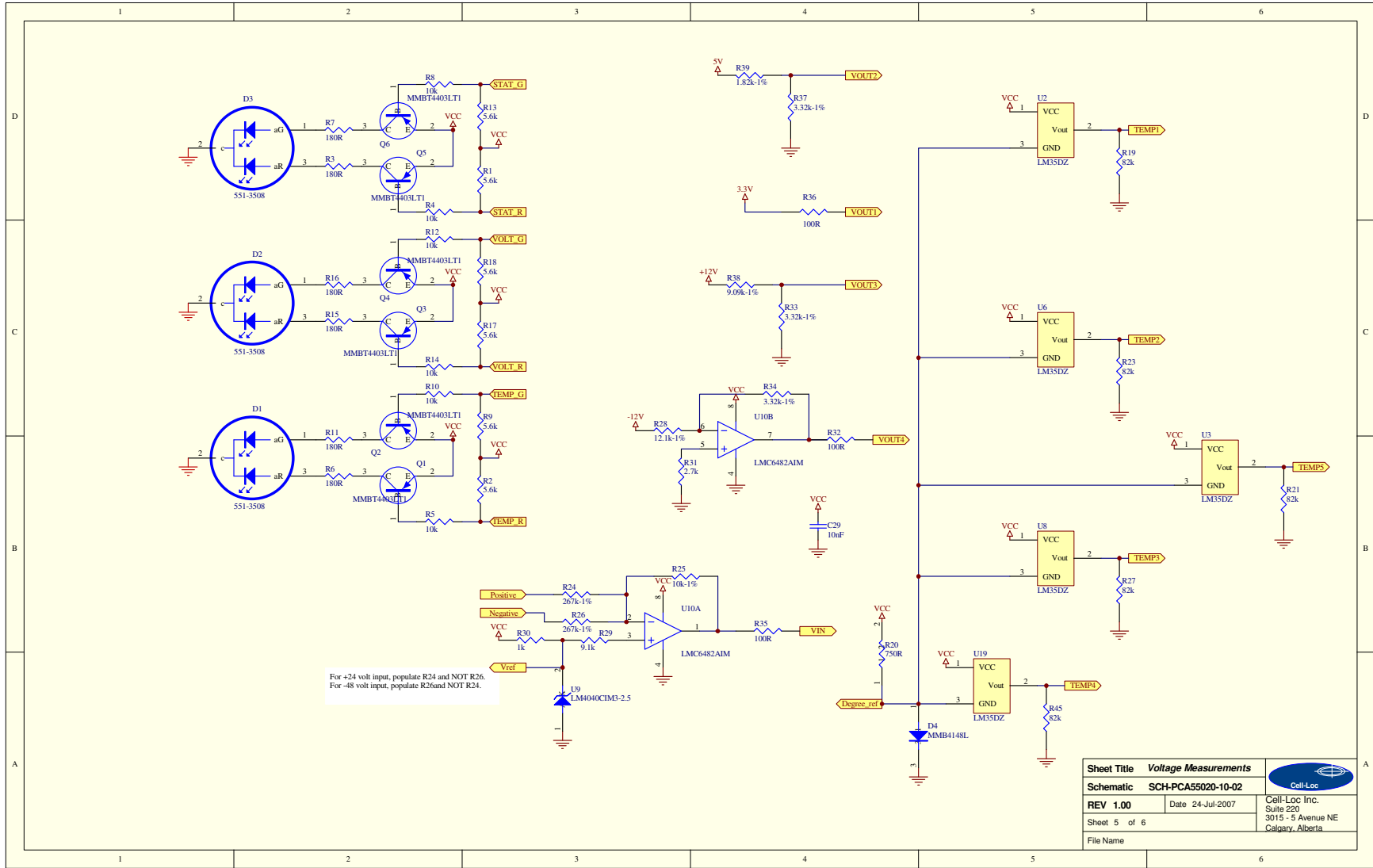





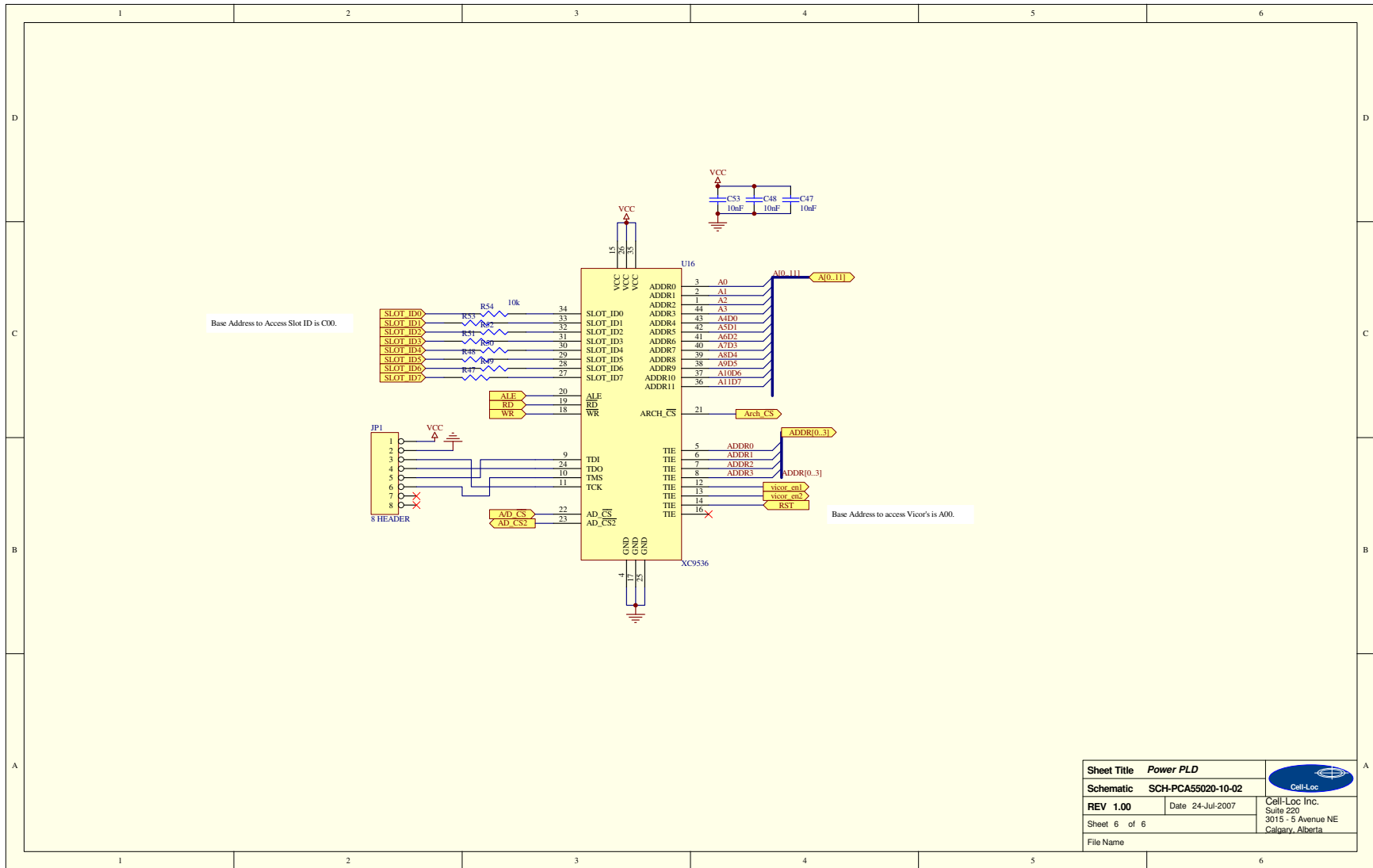
Sheet Title <b>J2 Connection</b>		
Schematic <b>SCH-PCA55020-10-02</b>		
REV <b>1.00</b>	Date <b>24-Jul-2007</b>	Cell-Loc Inc. Suite 220 3015 - 5 Avenue NE Calgary, Alberta
Sheet 3 of 6		File Name




Sheet Title <i>Microcontroller</i>		
Schematic <b>SCH-PCA55020-10-02</b>		
REV 1.00	Date 24-Jul-2007	Cell-Loc Inc. Suite 220 3015 - 5 Avenue NE Calgary, Alberta
Sheet 4 of 6		
File Name		



Sheet Title <b>Voltage Measurements</b>		 Cell-Loc Inc. Suite 220 3015 - 5 Avenue NE Calgary, Alberta
Schematic <b>SCH-PCA55020-10-02</b>		
REV <b>1.00</b>	Date <b>24-Jul-2007</b>	
Sheet 5 of 6		
File Name		



Sheet Title <b>Power PLD</b>		 Cell-Loc Inc. Suite 220 3015 - 5 Avenue NE Calgary, Alberta
Schematic <b>SCH-PCA55020-10-02</b>		
REV <b>1.00</b>	Date <b>24-Jul-2007</b>	
Sheet <b>6</b> of <b>6</b>		
File Name		