



RF150BB09

BeO Flanged Resistor

Power: 150 Watts (CW)

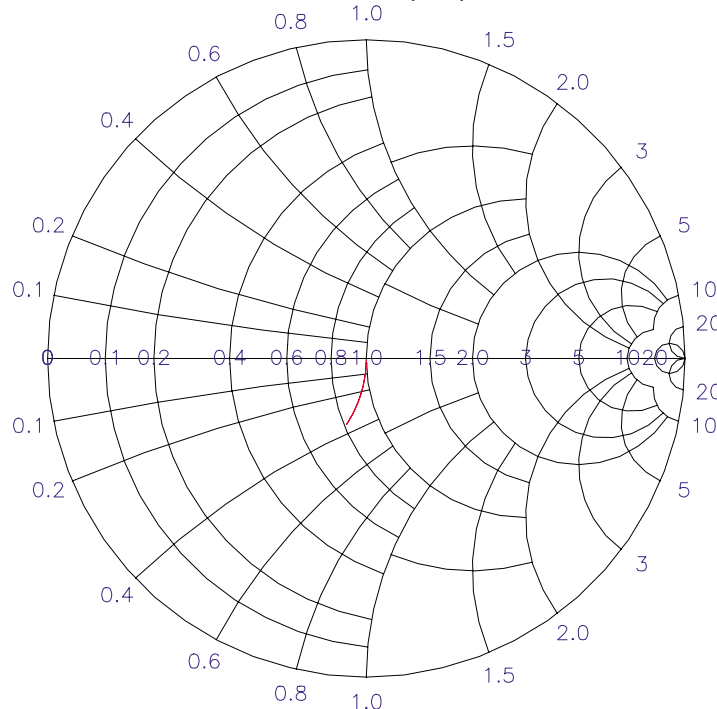
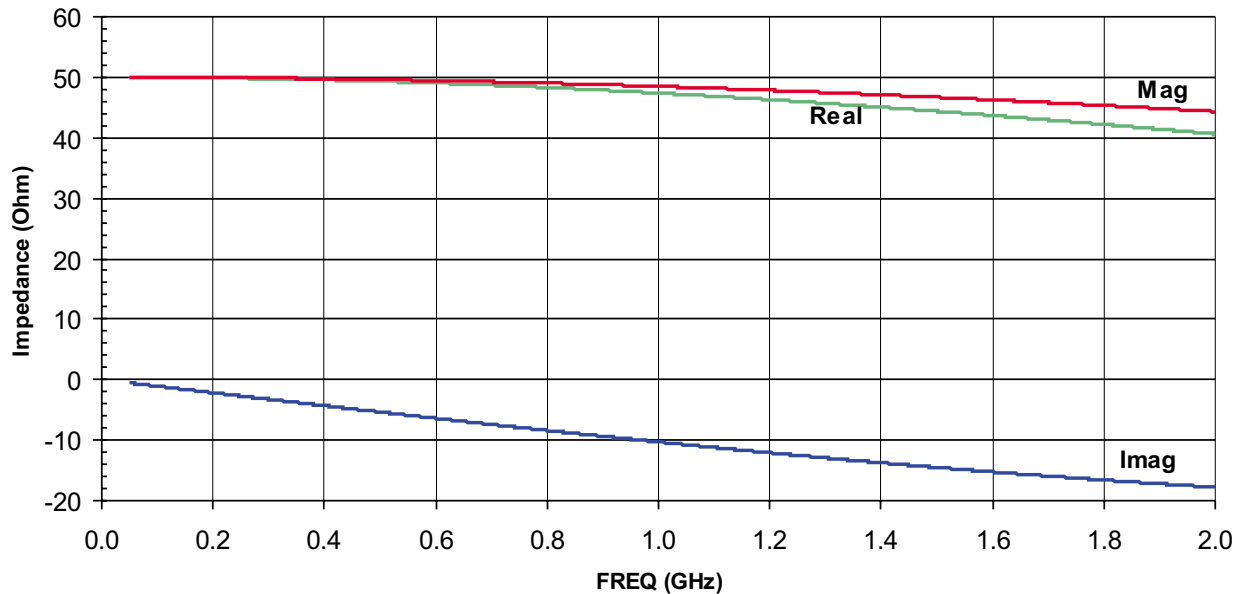
Resistance: $50 \Omega \pm 5\%$

Frequency Range: DC to 2 GHz

Substrate: BeO



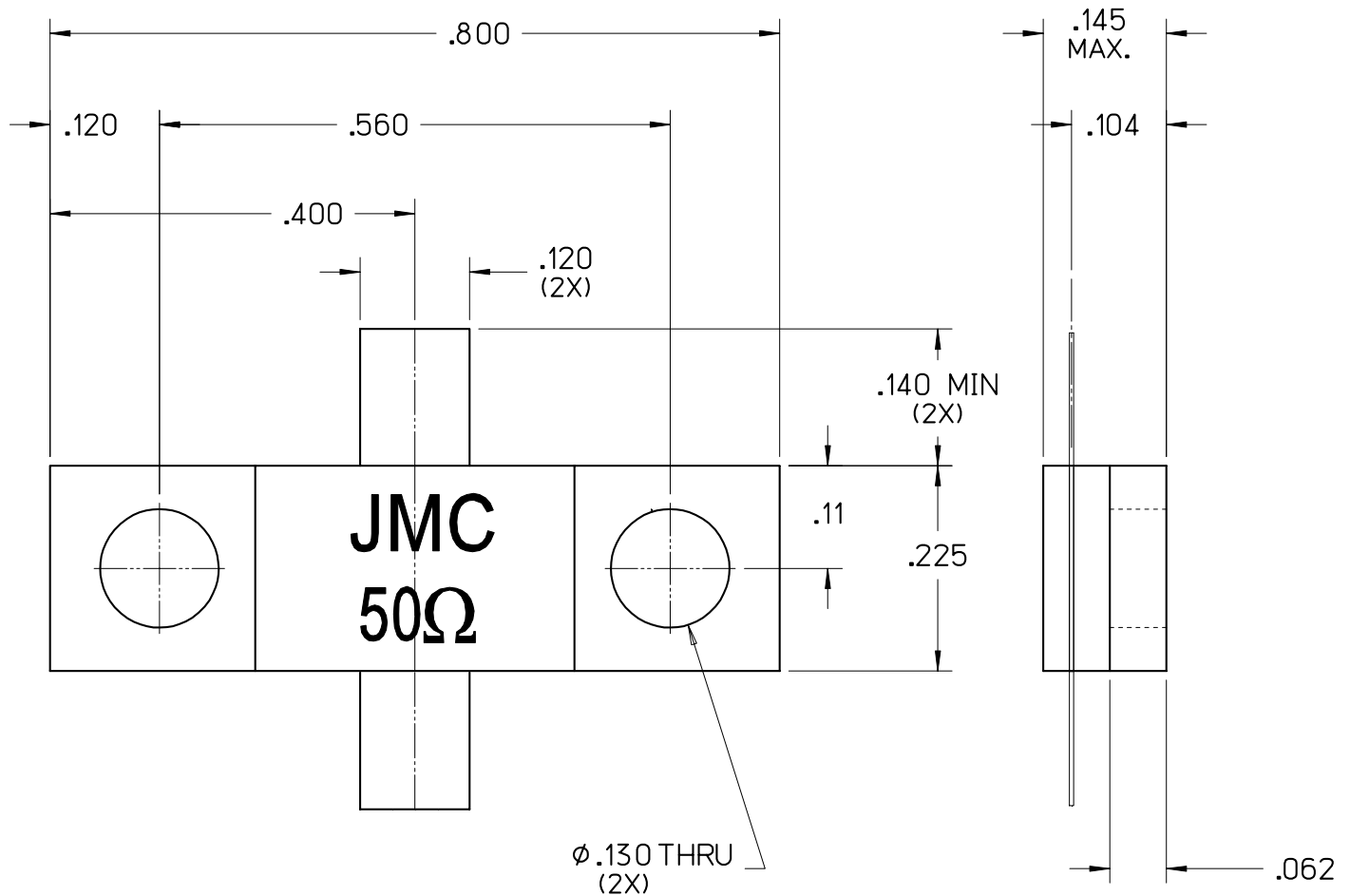
TYPICAL PERFORMANCE



For detailed information regarding this product or sample request contact Johanson Sales



Johanson Manufacturing Corporation • 301 Rockaway Valley Road, Boonton, New Jersey 07005 • Phone 973.334.2676 • Fax 973.334.2954
STAY TUNED • ELECTRONIC ACCURACY THROUGH MECHANICAL PRECISION • WWW.JOHANSONMFG.COM



CAUTION

THIS SUBSTRATE USES BERYLLIUM OXIDE
 USE CARE WHEN HANDLING.
 DO NOT SCRATCH OR ABRASIVE
 TRIM IN OPEN AREA.

For detailed information regarding this product or sample request contact Johanson Sales