

PDM-42-GA Series 0° POWER DIVIDERS / COMBINERS

1 to 12.4 GHz / 4-Way / Uniform Phase & Amplitude Bal. / Low Insertion Loss / Octave Band / SMA

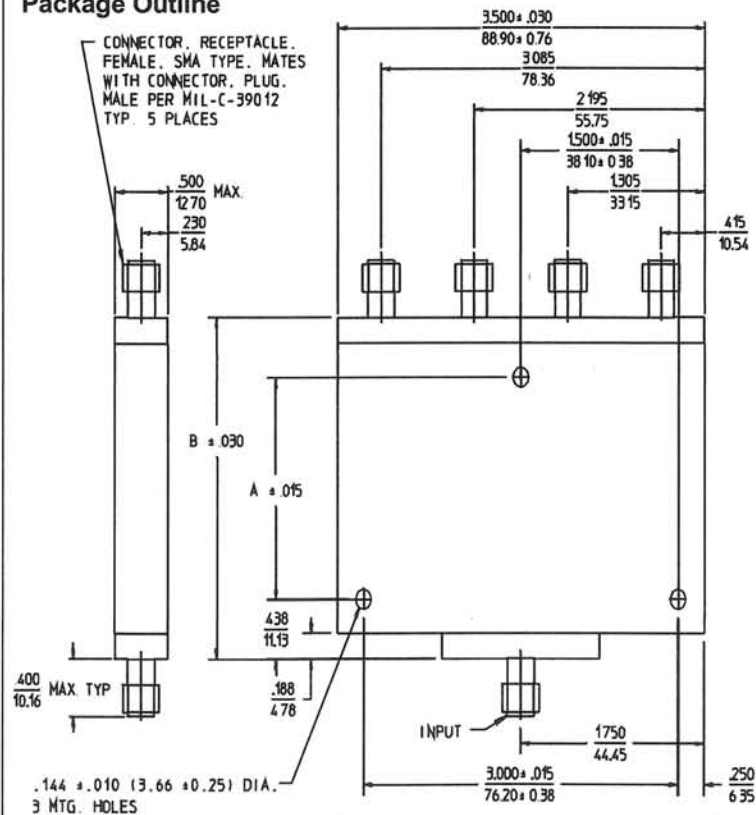


PRINCIPAL SPECIFICATIONS

Model Number	Frequency Range, GHz	Isolation, dB, Min.	Amplitude Balance, dB, Max.	Phase Balance, Max.	Insertion Loss, dB, Max.	VSWR, In/Out Max.	†Power Input, Max.
PDM-42-1.5GA	.96 - 2.0	20	±0.2	±3°	0.5	1.30:1	12 W
PDM-42-3GA	2.0 - 4.0	18	±0.2	±3°	0.5	1.5/1.3:1	12 W
PDM-42-3.95GA	3.7 - 4.2	20	±0.2	±3°	0.5	1.35:1	12 W
PDM-42-6GA	4.0 - 8.0	18	±0.4	±4°	0.8	1.6/1.3:1	6 W
PDM-42-10GA	7.0 - 12.4	16	±0.4	±6°	1.0	1.7:1	6 W

†CW input power when used as divider with 1.2:1 VSWR_{out}

Package Outline



GENERAL SPECIFICATIONS

Coupling:	- 6 dB nom.
Impedance:	50 Ω nom.
Internal Load Dissipation:	100 mW max
Weight, nominal:	7 oz. (199 g)
Operating Temperature:	- 55° to + 85°C

Package Dimensions

Part No.	Dim.A	Dim.B
PDM-42-1.5GA	1.562 (39.67)	2.500 (63.50)
PDM-42-3GA	1.562 (39.67)	2.500 (63.50)
PDM-42-3.95GA	1.562 (39.67)	2.500 (63.50)
PDM-42-6GA	1.750 (44.45)	2.688 (68.28)
PDM-42-10GA	1.438 (36.53)	2.375 (60.33)

- NOTES:
1. Tolerance on 3 place decimals ± 0.020(.51) except as noted.
 2. Dimensions in inches (millimeters).
 3. Max. is largest dimension allowed.

General Notes:

1. The PDM-42-GA series of 4-way Power Dividers/ Combiners are in-phase Wilkinson units using stripline for minimum insertion loss and excellent output port phase and amplitude balance.

29Apr96