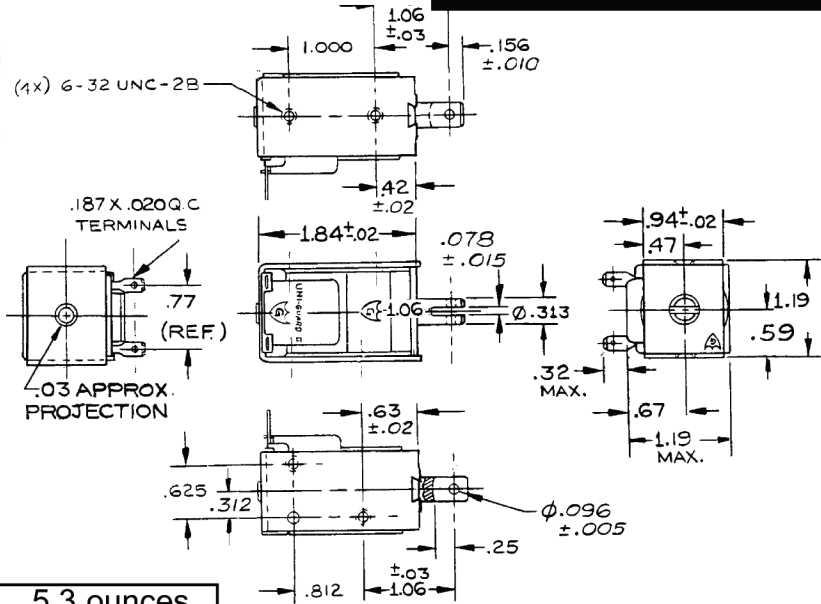
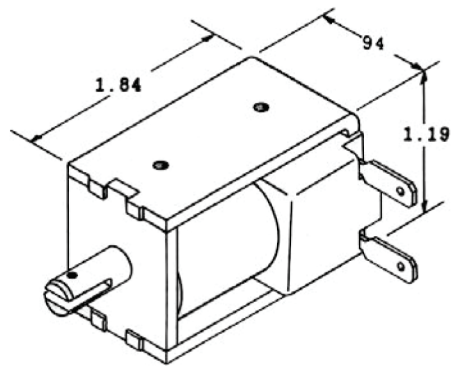



Model 11 DC Frame Solenoid



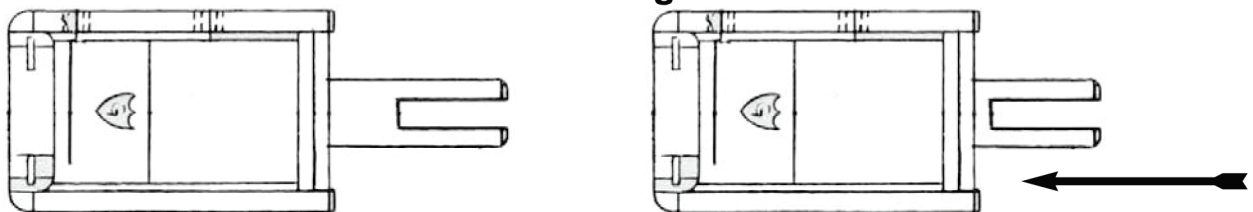
Total Weight: 5.3 ounces
Plunger Weight: 0.6 ounces

Duty Cycle:	Continuous 100% On-Time	Intermittent 25% (100 Seconds Max)	UL Recognition Recognized under the Component Recognition Program of Underwriters Laboratories Inc. 
Power Consumption:	7.8 Watts	22 Watts	
Current Draw: 12VDC	0.652 Amp	1.60 Amps	
24VDC	0.258 Amp	0.83 Amps	
Holding Force: 12VDC	82 ounces	93 ounces	
24VDC	82 ounces	93 ounces	
Resistance: 12VDC	18.4 Ohms	7.5 Ohms	
24VDC	93.1 Ohms	29.1 Ohms	

Pull Force in ounces

Stroke, in inches:	0.050"	0.125"	0.250"	0.375"	0.500"	0.625"	0.750"	1.000"
Continuous Duty:	35	21	10	6	4	2	1	1
Intermittent Duty:	62	46	27	18	10	8	6	5

Direction of Plunger Travel



On the left, the solenoid is at rest, with power removed. On the right, power is applied and the plunger retracts into the body of the solenoid in the direction of the arrow. Optional spring kits return plunger to the "rest" position.

Guardian part numbers look like this:

11 - I - 12VDC

The first number is the model number, the middle letter defines Intermittent or Continuous Duty cycle, and the third number is the power supply to the solenoid.

Ordering Information

