

January 9, 1998

TEL:805-498-2111 FAX:805-498-3804 WEB:http://www.semtech.c

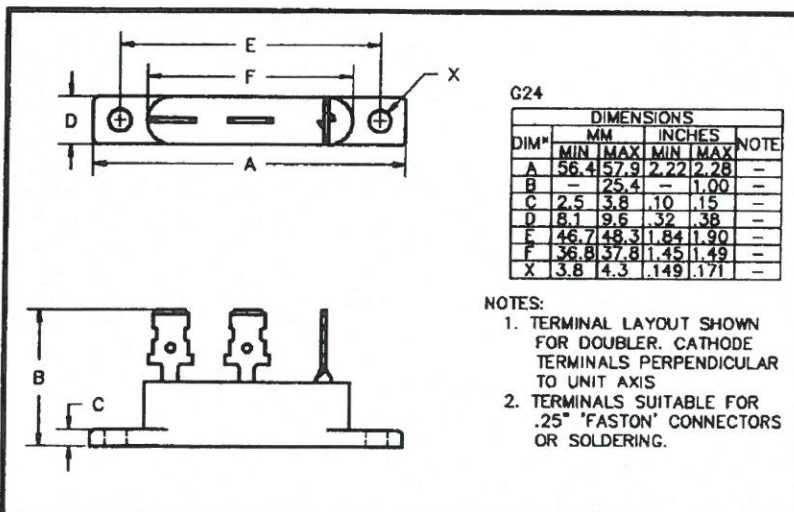
**STANDARD RECOVERY, MEDIUM CURRENT CENTER
TAP AND DOUBLER RECTIFIER ASSEMBLIES****QUICK REFERENCE
DATA**

- Low forward voltage drop
- Low reverse leakage current
- Aluminum case
- Low thermal impedance
- Universal 3-way terminals

- $V_R = 50V - 600V$
- $I_F = 15A$
- $I_R = 1.0 \mu A$
- $V_F = 1.0V$

ABSOLUTE MAXIMUM RATINGS

Device Type	Working Reverse Voltage V_{RWM}	Average Rectified Current						1 Cycle Surge Current $t_p = 8.3mS$		Repetitive Surge Current 25°C
		(@ case temperature)			(@ ambient temperature)			25°C	100°C	
		55°C	100°C	125°C	25°C	55°C	100°C			
		Volts	Amps	Amps	Amps	Amps	Amps	Amps	Amps	
SCDA05	50	↑	↑	↑	↑	↑	↑	↑	↑	
SCDA1	100	↑	↑	↑	↑	↑	↑	↑	↑	
SCDA2	200	7.5	5.0	2.5	2.5	2.0	1.25	150	100	
SCDA4	400	↓	↓	↓	↓	↓	↓	↓	↓	
SCDA6	600	↓	↓	↓	↓	↓	↓	↓	↓	
SCNA05 SCPA05	50	↑	↑	↑	↑	↑	↑	↑	↑	
SCNA1 SCPA1	100	↑	↑	↑	↑	↑	↑	↑	↑	
SCNA2 SCPA2	200	15.0	10.0	5.0	5.0	4.0	2.5	150	100	
SCNA4 SCPA4	400	↓	↓	↓	↓	↓	↓	↓	↓	
SCNA6 SCPA6	600	↓	↓	↓	↓	↓	↓	↓	↓	

MECHANICAL

Maximum thermal impedance
 $R_{\theta JC} = 4^{\circ}C/W$