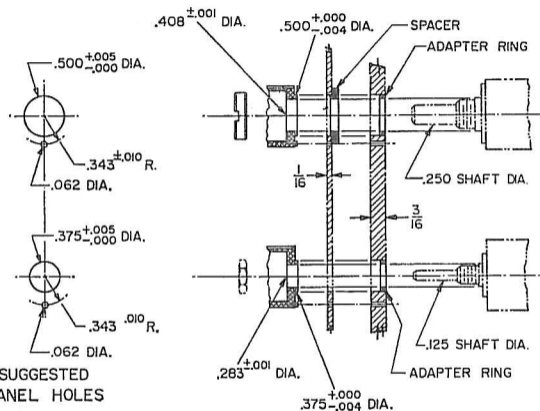


TOLERANCES

FRACTIONS ± 1/64
DECIMALS ±.005

TYPICAL MOUNTING OF DIALS TO BUSHING MOUNT POTENTIOMETERS WITH 1/8 AND 1/4 SHAFT DIAS ON PANELS 1/16 AND 3/16 THICK



FURNISHED WITH

ADAPTER RING (61026) 1/2 DIA.,
ADAPTER RING (62960-2) 3/8 DIA.,
NO. 4 ALLEN WRENCH,
SPECIAL 3/8 N.E.F. NUT,
SPANNER, WRENCH, AND
DETAILED INSTRUCTION SHEET.

MODEL 3000 MICRODIAL®

MOUNTING INSTRUCTIONS

The following instructions apply to the installation of the Amphenol Model 3000 MICRODIAL to an Amphenol Potentiometer. It may, however, be used with other multi-turn devices, ten turns or less, requiring accurate position indication in turns and decimal parts of turns.

1. Drill panel as shown under suggested panel holes. The angular position of the .062 dia. hole is determined by the desired position of the Potentiometer Terminal Lugs.
2. Secure mounting plate to Potentiometer shaft and panel. Use adapter ring for 3/16 thick panels and spacer for 1/16 thick panels. Use special nut for 1/4" shafts.
3. Set Potentiometer against its counter-clockwise stop.
4. Slide MICRODIAL onto Potentiometer shaft until it rests lightly on the mounting plate face. Apply Light finger-tip pressure and rotate knob counter-clockwise to index keys in their ways. **DO NOT ROTATE CLOCKWISE.**
5. Press knob section into mounting plate to seat assembly. A slight snap will indicate proper operating position.
6. Tighten Allen set screw locking the MICRODIAL to the Potentiometer shaft.
7. Remove the #4-40 holding screw and replace with the #4-40 Allen set screw.
8. Check MICRODIAL for zero-setting and apply set-screw hole seals. **Note:** Should it be necessary to remove the MICRODIAL, rotate to zero-point. Remove one #4-40 Allen set-screw and replace it with a #4-40 holding screw. Loosen the other set-screw and pull MICRODIAL knob forward to disengage snap-on assembly.
9. Parts Included:

3020 Series

- (1) Assembled and tested 3020 MICRODIAL
- (1) Adapter Ring
- (2) Set-Screw Seals
- (1) #4-40 Set-Screw
- (1) #4 Allen Wrench

3040 Series

- (1) Assembled and tested 3040 MICRODIAL
- (1) Adapter Ring
- (2) Set-Screw Seals
- (1) #4-40 Set-Screw
- (1) #4 Allen Wrench
- (1) Spanner Wrench
- (1) Spacer
- (1) Hex Nut



AMPHENOL

AMPHENOL CONTROLS DIVISION

Box 1368 • 120 South Main Street • Janesville, Wis. 53545