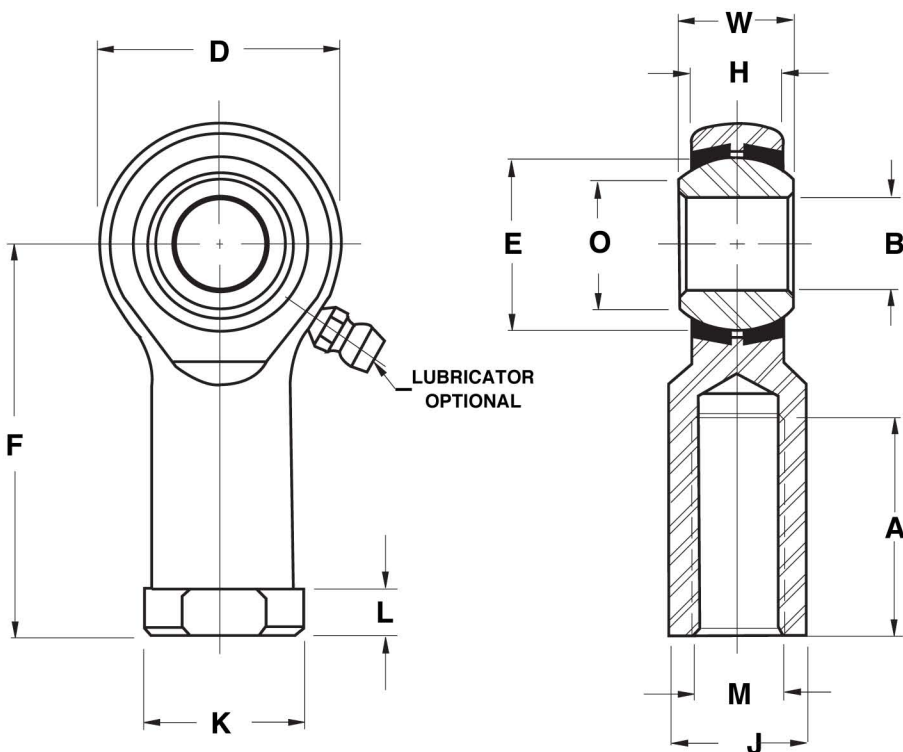


Commercial Series

Four Piece - Metal to Metal



Series HF C

ROD END NUMBER	DIMENSIONS IN INCHES												MAXIMUM STATIC RADIAL LOAD	APPROX WEIGHT
	BORE	BALL WIDTH	HOUSING WIDTH	HEAD DIAMETER	LENGTH TO CENTER OF BALL	THREAD LENGTH	THREAD SIZE	BALL DIAMETER	BALL FLAT DIAMETER	ACROSS WRENCH FLATS	OTHER DIMENSIONS			
	B	W	H	D	F	A	M	E	O	J	K	L		
	+ .0025 - .0005	+ .005 - .005	+ .010 - .010	+ .031 - .031	+ .031 - .031	+ .062 - .062	UNF-3B	REF	REF	+ .010 - .010	+ .010 - .010	+ .010 - .010	LBF	LBS
HF3C	.1900	.312	.250	.625	1.062	.562	.1900-32	.437	.306	.312	.406	.187	1,850	.03
HF4C	.2500	.375	.281	.750	1.312	.750	.2500-28	.515	.353	.375	.468	.187	2,700	.05
HF5C	.3125	.437	.344	.875	1.375	.750	.3125-24	.625	.447	.437	.500	.187	3,350	.08
HF6C	.3750	.500	.406	1.000	1.625	.937	.3750-24	.718	.516	.562	.687	.250	4,450	.12
HF7C	.4375	.562	.437	1.125	1.812	1.062	.4375-20	.812	.586	.625	.750	.250	5,350	.17
HF8C	.5000	.625	.500	1.312	2.125	1.187	.5000-20	.937	.698	.750	.875	.250	7,400	.26
HF10C	.6250	.750	.562	1.500	2.500	1.500	.6250-18	1.125	.839	.875	1.000	.312	8,050	.41
HF12C	.7500	.875	.687	1.750	2.875	1.750	.7500-16	1.312	.978	1.000	1.125	.312	11,300	.64

Outer Member: Carbon steel, with protective coating for corrosion resistance

Ball: Carbon steel, case hardened, with protective coating for additional hardness and corrosion resistance

Inserts: Brass

NOTES

- † Add letter "L" to prefix to indicate Left Hand thread
Example: HFL4C
- For design options, see page 31
- For Engineering data, see pages 28 thru 30
- p "H" tolerance across inserts is +/- .015