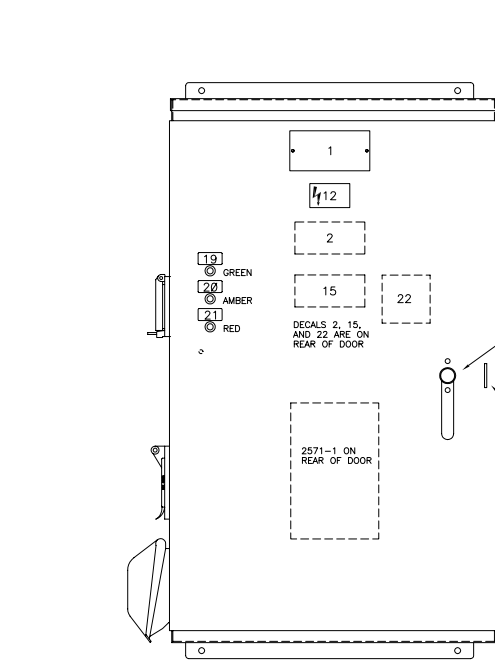
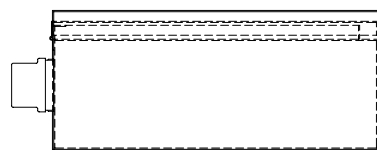


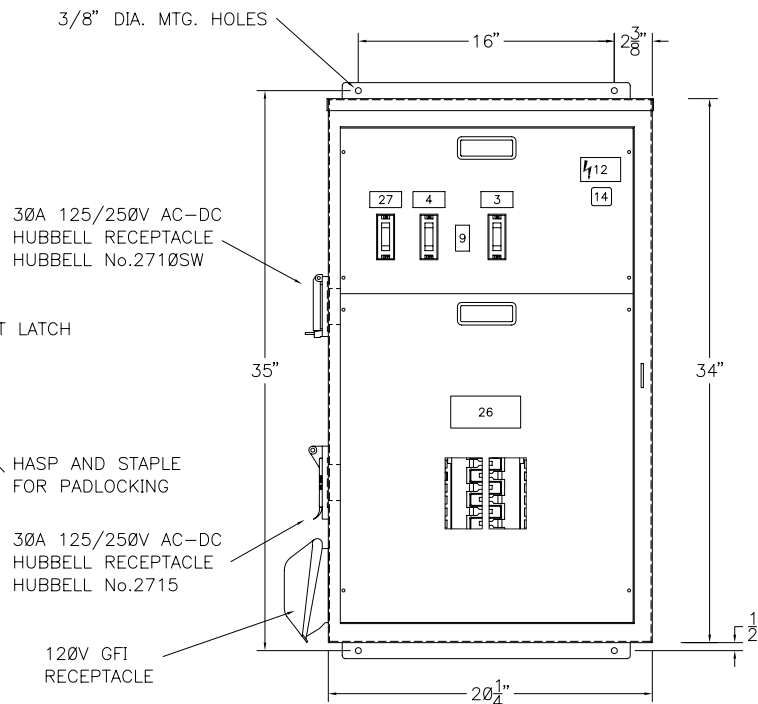
TOP VIEW



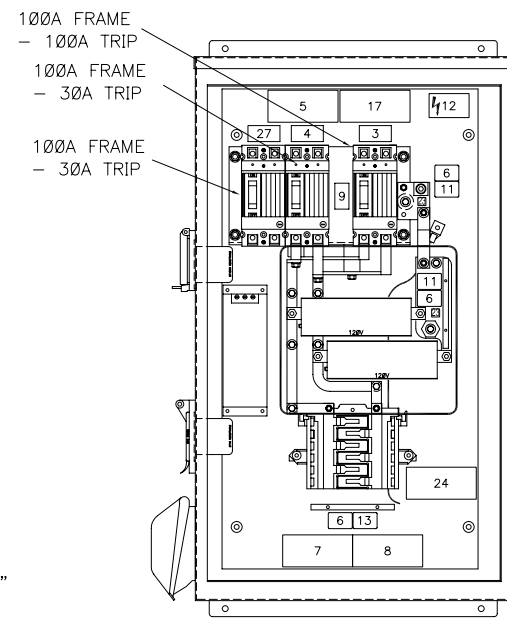
FRONT VIEW - DOOR



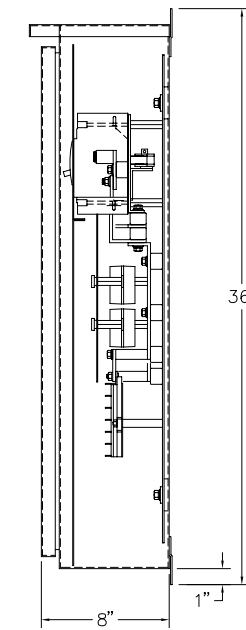
BOTTOM VIEW



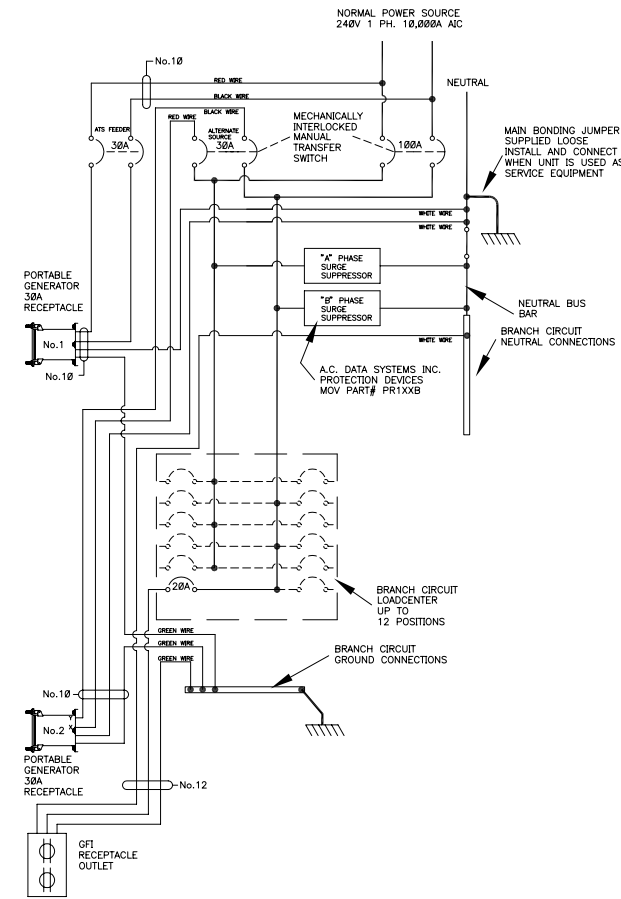
FRONT VIEW - ENCLOSURE INTERIOR



FRONT VIEW - ENCLOSURE INTERIOR



SIDE VIEW

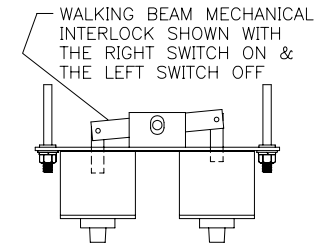


SPECTX WIRING DIAGRAM

NAMEPLATE SCHEDULE

1. MANUFACTURERS NAMEPLATE	2 1/2" X 5"
2. TRANSFER SWITCH OPERATION	DECAL TR-SW-OP
3. NORMAL SOURCE	DECAL SOURCE
4. ALTERNATE SOURCE	DECAL SOURCE
5. LUG TORQUE SPECIFICATIONS	DECAL TOR-2571
6. USE COPPER WIRE ONLY	DECAL
7. THIS DEVICE IS SUITABLE FOR USE ON THE CIRCUIT CAPABLE OF DELIVERING NOT MORE THAN 10,000 RMS SYMMETRICAL AMPERES 240 VOLTS MAXIMUM.	DECAL BREAKER10-240
8. SUITABLE FOR CONTROL OF MOTORS, ELECTRIC DISCHARGE LAMPS, TUNGSTEN FILAMENT LAMPS & ELECTRIC HEATING EQUIPMENT WHERE THE SUM OF MOTOR FULL LOAD AMPERE RATING & THE AMPERE RATINGS OF OTHER LOADS DO NOT EXCEED THE AMPERE RATING OF THE SWITCH AND THE TUNGSTEN LOAD DOES NOT EXCEED 30% OF THE SWITCH RATING. CONTINUOUS LOAD CURRENT NOT TO EXCEED 100% OF SWITCH RATING.	DECAL SUITABLE-100
9. TRIPPED - RESET	DECAL
10. SERVICE DISCONNECT - (SUPPLIED LOOSE)	DECAL
11. CONNECT ONLY WHITE NEUTRAL.....	DECAL
12. WARNING: TO ENSURE AGAINST.....	DECAL
13. CONNECT ONLY GREEN GROUND.....	DECAL
14. UL NON-AUTO. TRANSFER SW.	DECAL
15. CATALOG NAMEPLATE	DECAL
16. REPLACE BARRIER AFTER ...	DECAL R-INSTALL
17. CONNECTION DECAL - NORMAL SOURCE	DECAL CONNECT7
18.	
19. SUPPRESSOR OPERATIONAL	DECAL - 150-0098
20. POWER ON	DECAL - 150-0097
21. ALARM	DECAL - 150-0096
22. ALARM INSTRUCTIONS	DECAL - 150-0020
23. N	DECAL
24. INTERLOCK DECAL	DECAL INTERLOCK2
25.	
26. TO MAINTAIN THE INTERRUPTING RATING ...	DECAL SQD
27. NORMAL SOURCE BREAKER FEED TO ATS	DECAL SOURCE-2571

THIS TRANSFER SWITCH IS EQUIPPED WITH A MECHANICAL WALKING BEAM INTERLOCK TO PREVENT BOTH SWITCHES FROM BEING CLOSE AT THE SAME TIME



ENLARGED VIEW OF DECAL No. 24

APPROVED _____

NAME _____

COMPANY _____

DATE _____

ISSUE 10

UNITS BUILT AFTER TO 07-02-99 - HUBBELL RECEPTACLE No.2710SW IS USED IN UPPER LOCATION

34" X 20 1/4" X 8" 3R ENCLOSURE
SEE DRAWING 99-2571A FOR ENCLOSURE CONSTRUCTION

Mar 17 2000 - 11:00 am JOB #23-03

ELECTRIC EQUIPMENT & ENGINEERING CO.
PHONE 303-296-1476

PRELIM. 40 W. 49th AVE. DENVER, COLO. 80216 APPROVED _____

SCALE: 1" = 12" DRAWN BY: RDE

DATE: 03-05-99 ISSUE: 10

SPECTX-100A, 120/240V, 1 PH, MTS W/ 200KA SURGE BLOX-12 CIRCUIT DIST-3R ENCLOSURE W/ LIGHTS

FOR: A.C. DATA SYSTEMS CROWN COMMUNICATIONS DRAWING NUMBER 99-2571